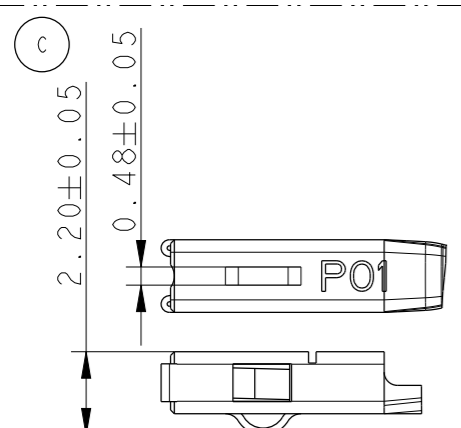
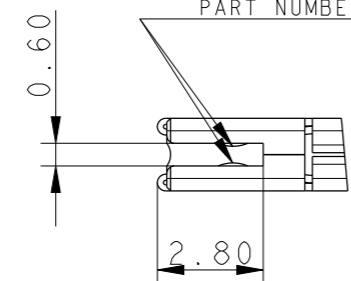


OUVERTURE POUR PROCESS PROTECTION ZONE DE CONTACT
 SEULEMENT POUR REFERENCE 211 CC 1 S X 32X OPENING
 FOR GOLD PLATING PROCESS ONLY FOR 211 CC 1 S X32X
 PART NUMBER



POLARISATION
 Ref. : 211 CC 1 S xx24
 P/N 211 CC 1 S xx24

ETAT	REFERENCE			
	MVL	DELPHI	MVL	DELPHI
125°C PRE ETAME	211 CC 1 S 0123	10788833	211 CC 1 S 1123	10788831
	211 CC 1 S 0124	33504065	211 CC 1 S 1124	10811966
DORE 0.8µm	211 CC 1 S 0323	33504064	211 CC 1 S 1323	13523851
	211 CC 1 S 0324	33504065	211 CC 1 S 1324	10847648
GAMME	0		1	
SECTION THEORIQUE	0.22-0.50		0.35 - 0.60	
Ø ISOLANT NOMINAL	1.20-1.60		1.30 - 1.80	
B±0.20	1.7		1.8	
C±0.20	1.7		1.95	
R:D	0.4		0.4	
F±0.20	2.65		2.9	
G±0.20	2.65		2.6	
R:H	0.72		0.85	

14-09742	-	DELPHI P/N ADDED; ADD POLARISATION MODEL
A 03 ...	-	UPDATE BEGINING BY P.MENARD
	-	CHANGE PACKAGING
	-	UPDATE IN ACCORDANCE WITH OTHERS PARTS NUMB.
	-	DM 03-003 (21/10/03)
ECN-NO. NUMERO ECN	POSITION POSITION	CHANGE DESCRIPTION MODIFICATION
PRODUCT SPEC. SPECIF. PRODUIT	PACKAGING SPEC. SPECIF. EMBALLAGE	APPLICATION SPEC. SPECIF. APPLICATION
-	-	211 FT 0323
TOLERANCES TOLERANCES		
±0.15 ±5°		MATERIAL : MATTIERE : Cu MgI
COUNTERPART N°. CONTRE-PARTIE N°		SURFACE FINISH ETAT DE SURFACE
211CLISXX2X		SEE TABLE
DO NOT MEASURE DRAWING NE PAS PRENDRE DE COTES		TOOL NO. OUTIL N°
-		ECO Loc. Code CODE B.E. FE
CREATED BY CREEE PAR	DATE	TITLE DESIGNATION
1998-10-05		0635 FEMALE TERMINAL
MODIFIED BY MODIF. PAR		PROJECT PROJET
2014/10/06	L DOMERGUE	MICRO-SICMA TERMINALS
CHECKED BY VERIF. PAR		ESR NO. NUMERO ESR
2014/10/06	S LACOTE	FRA-0248
APPROVED BY APPR. PAR		CAT. NO. NUMERO CAT.
2014/10/06	Patrice CAPPE	-
FILE NAME NOM DE FICHIER		DOCUMENT UNDER PDS CONTROL DOCUMENT GERE SOUS P.D.S.
211FT0320		NO MODIFICATION ALLOWED OUTSIDE PAS DE MODIFICATION EN DEHORS
DRAWING NUMBER REF. PLAN		REV. IND.
211FT0320		C
STATE ETAT		APPROVAL LEVEL NIV. D'APPROBATION
SERIAL RELEASED		-
PART NUMBER REF. ARTICLE		SHEET FEUILLE
See Table		1 of 1 sur 1
		SCALE ECH.
		5:1

EUR C04 I12 F29 PDS

X-ON Electronics

Largest Supplier of Electrical and Electronic Components

Click to view similar products for [Automotive Connectors](#) category:

Click to view products by [APTIV](#) manufacturer:

Other Similar products are found below :

[003-018-000](#) [60403001](#) [60993906-B](#) [629515004020001](#) [M902-2131](#) [M902-2161](#) [72.330.1035.1](#) [73.353.4028.0](#) [F119300-B](#) [F166900](#)
[F258300-B](#) [F358300-B](#) [F407400](#) [F444110](#) [F487000](#) [F509500B-B](#) [827153-1](#) [8N1515-32-24P](#) [9-1326729-8](#) [925474-1](#) [928905-1](#) [964562-4](#)
[968782-1](#) [GT17SA-8DS-HU](#) [98891-1012](#) [98947-1016](#) [12004475-L](#) [12010290](#) [12010309-B](#) [12015454](#) [12020219-B](#) [12020308](#) [12041318-B](#)
[12052225-L](#) [12052466](#) [12059125](#) [12064869](#) [12004327-B](#) [12010503-B](#) [12015308](#) [12015384](#) [12015909](#) [1-21030-1](#) [12041254](#) [12041318](#)
[12047946-B](#) [12047957](#) [12047957-L](#) [12059473](#) [12066261](#)