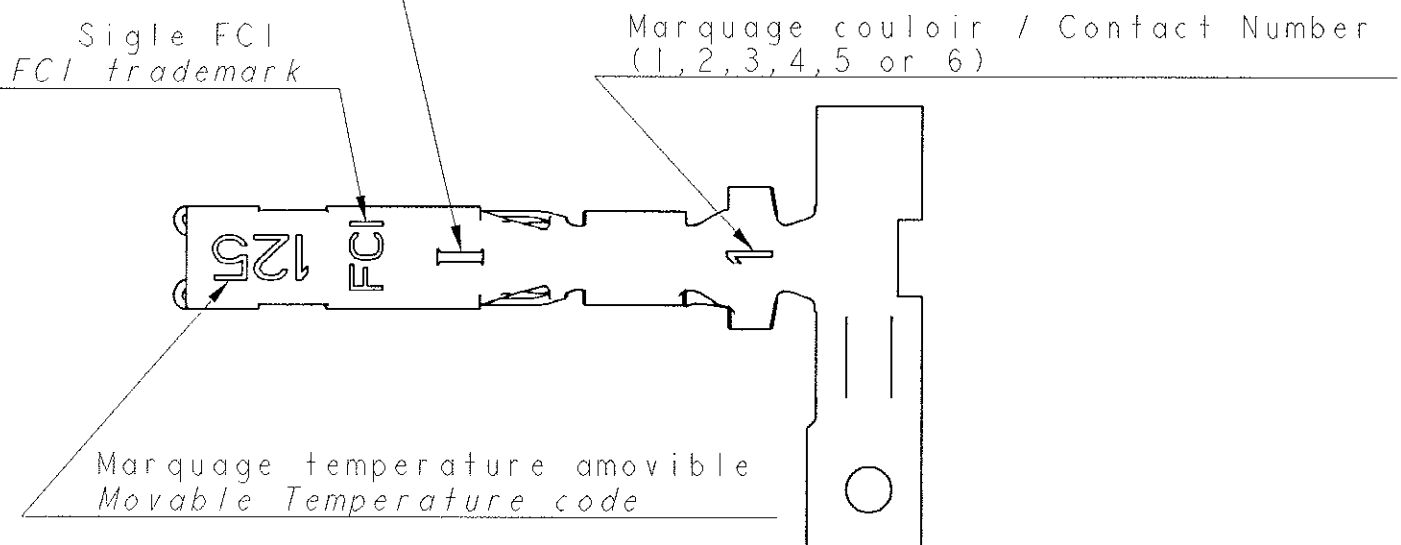
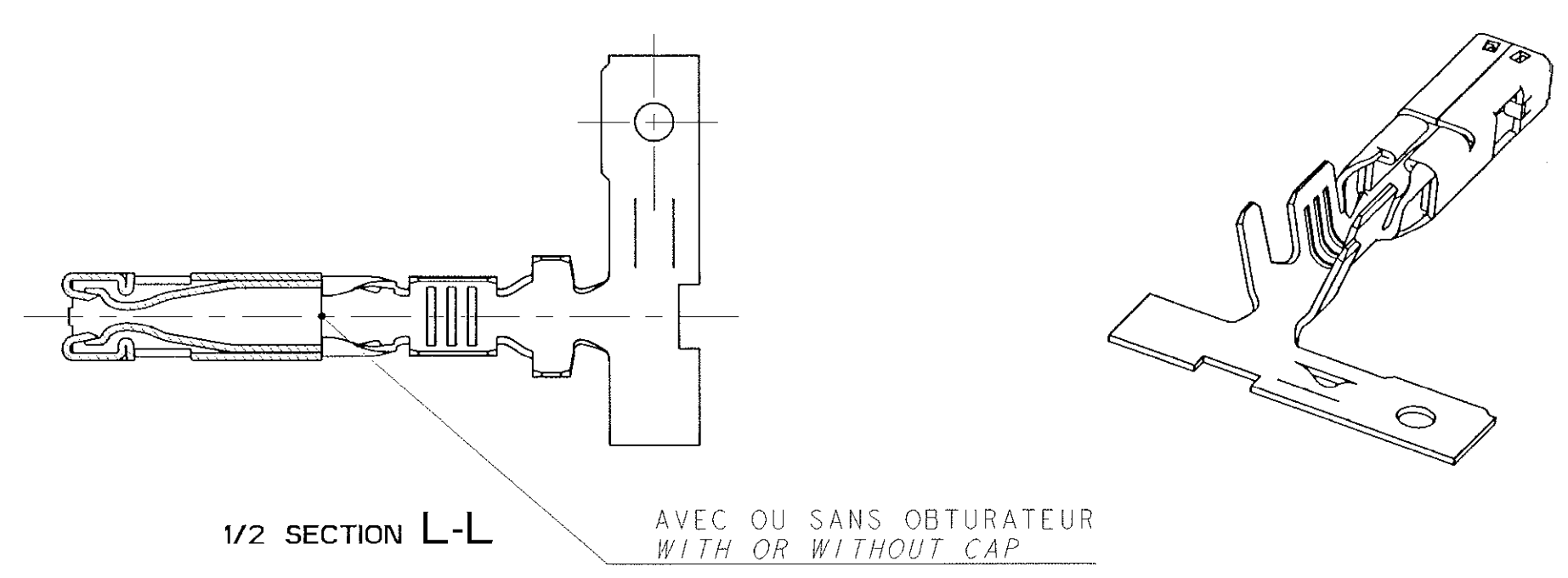
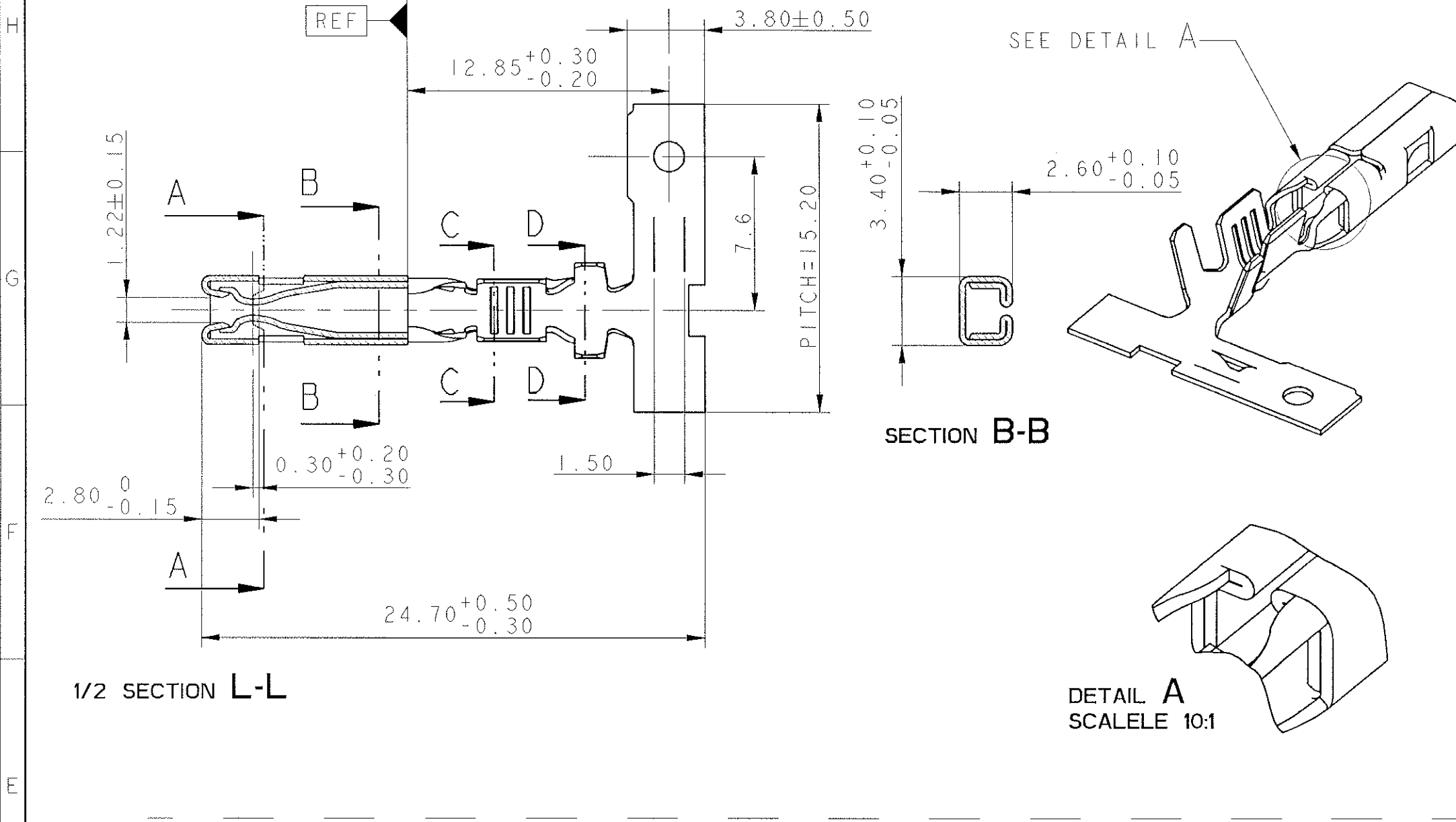
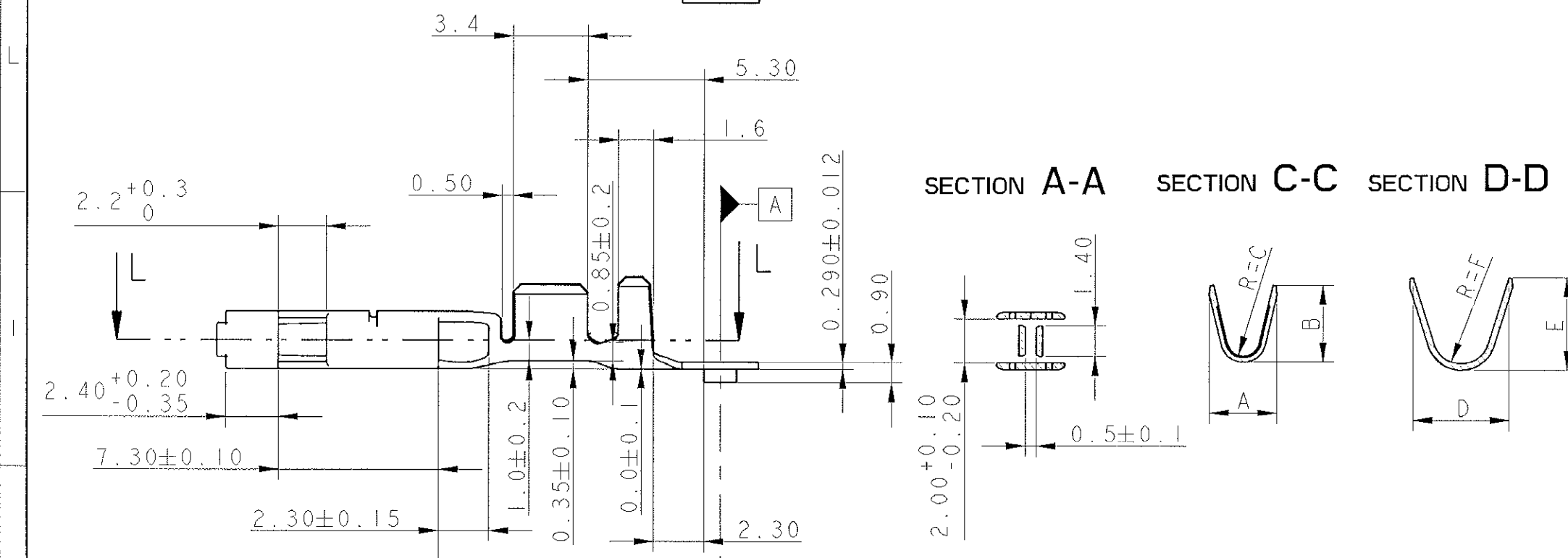


Repère amovible / Movable country code  
 I= Italie / Italy  
 sans / Without=France / French

FORME ACCEPTEE / ACCEPTED FORM



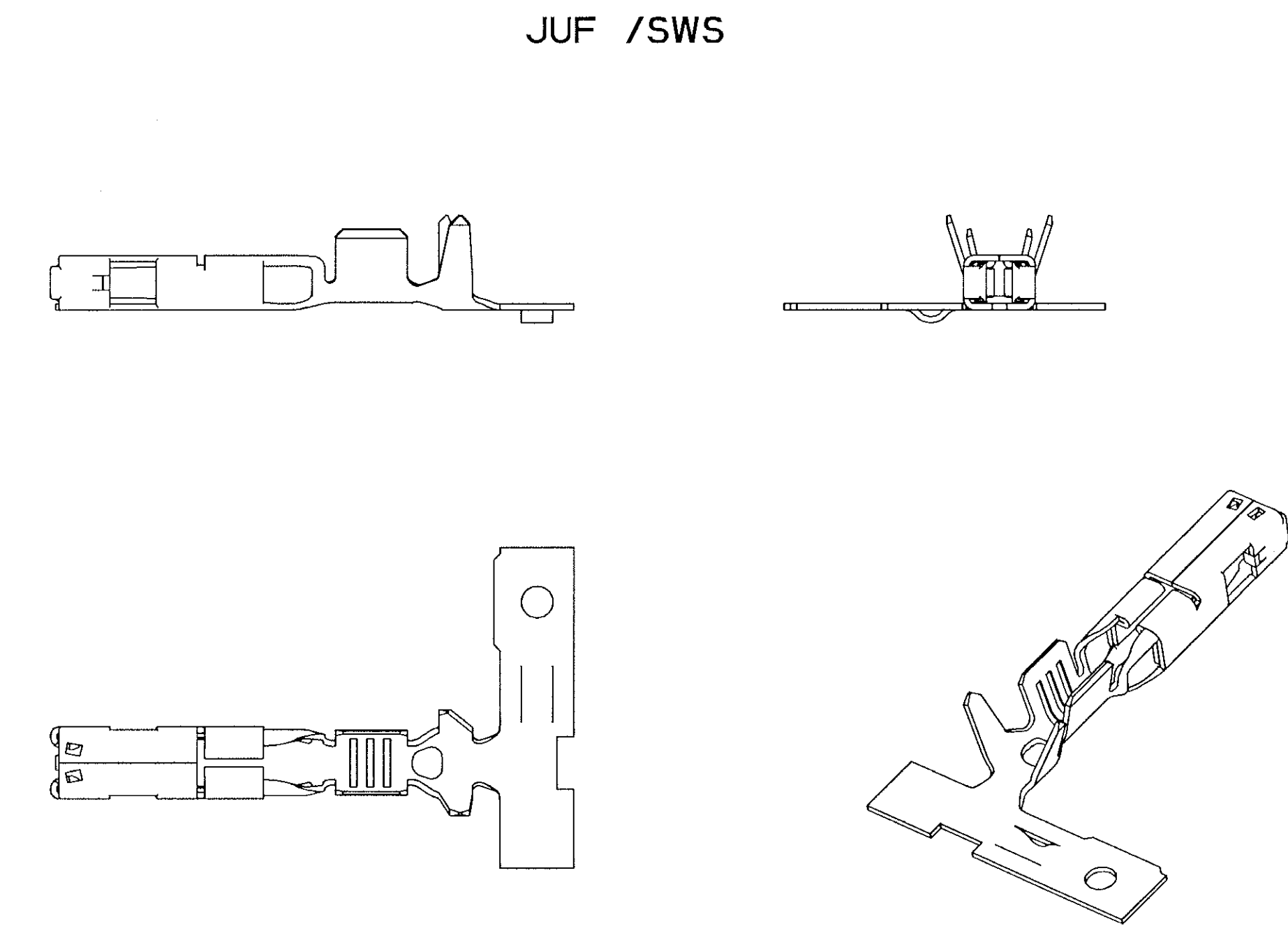
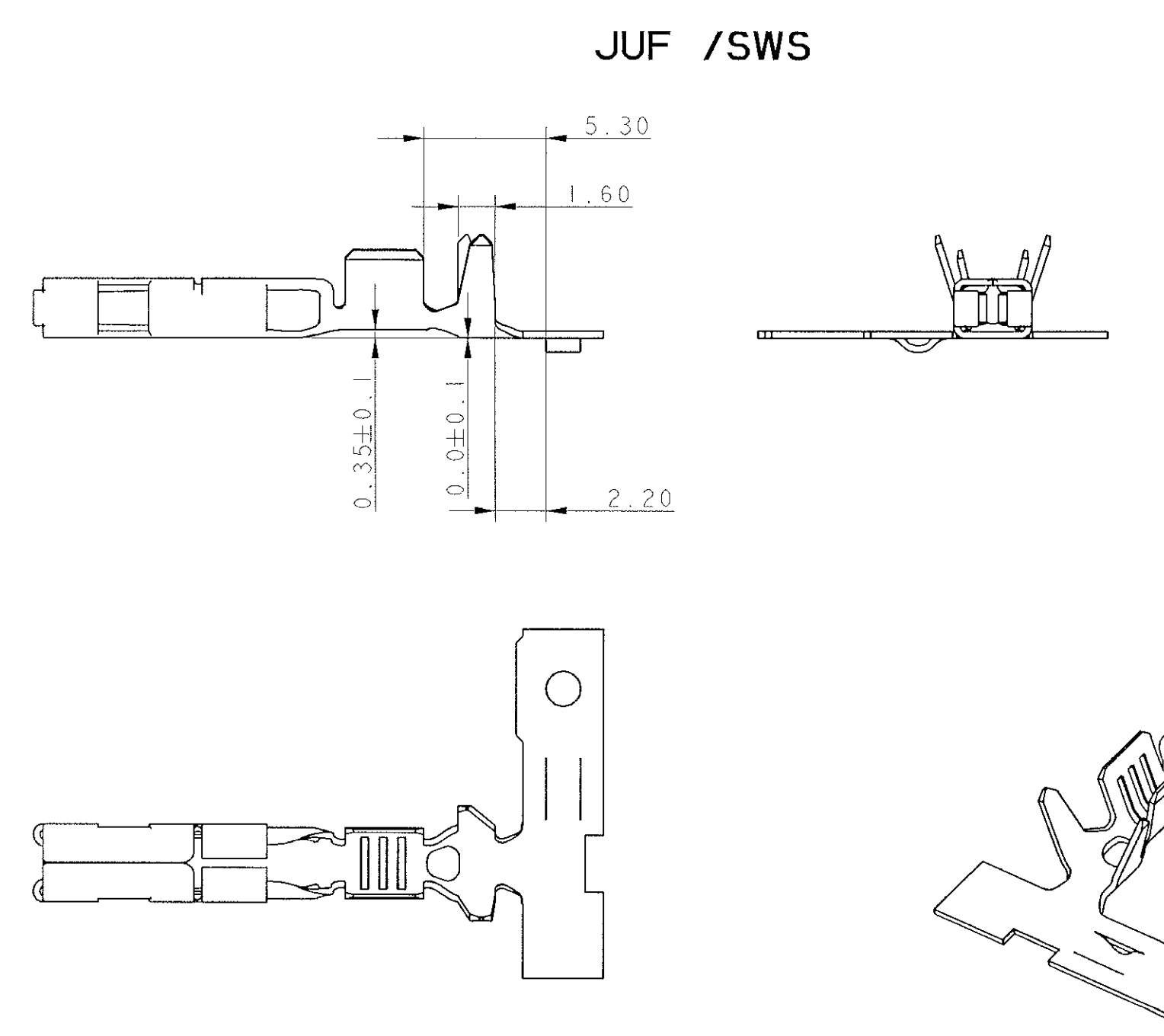
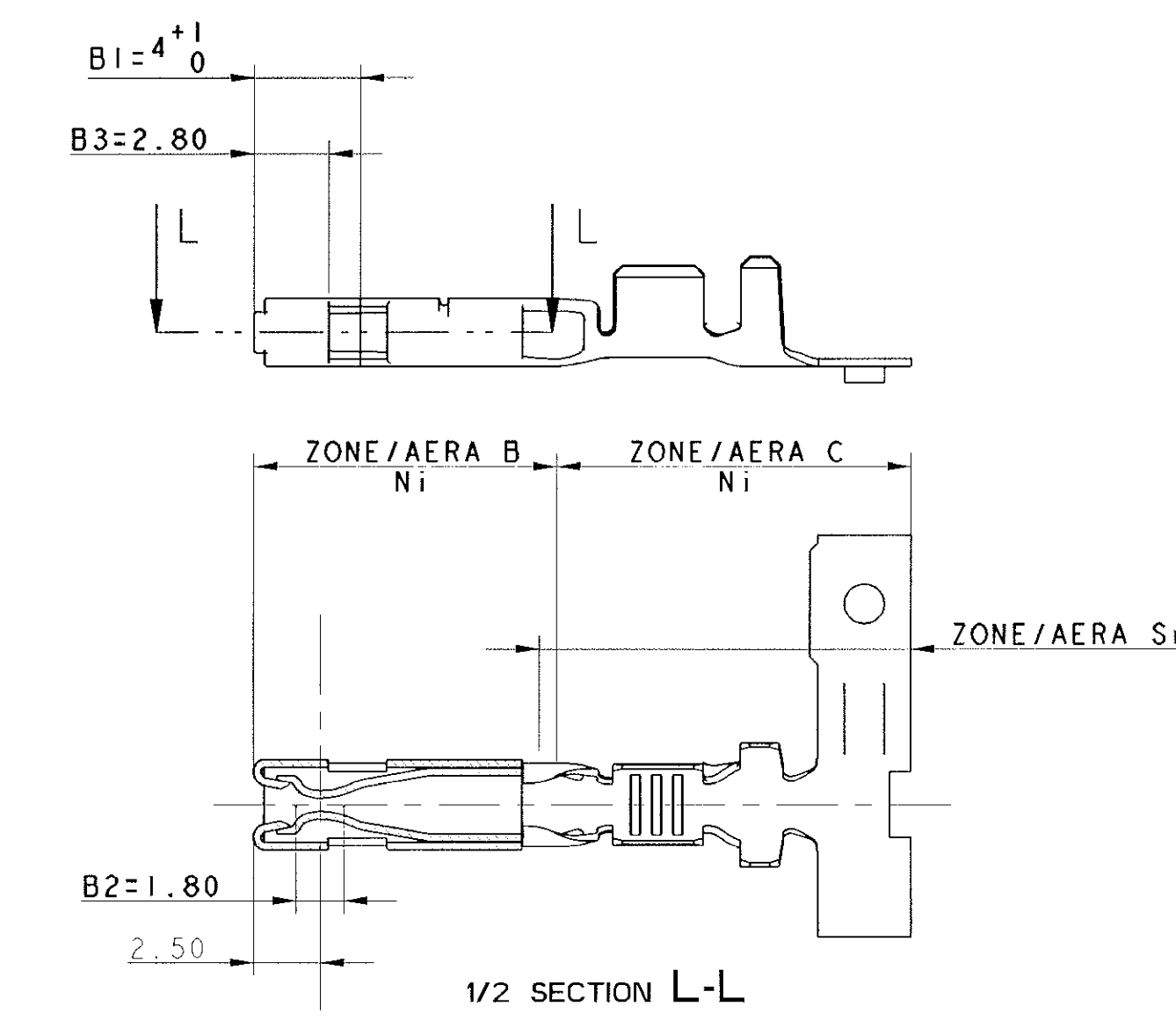
Etat / State	Références								Material	Classe
	JUF / SWS		JUF / SWS		JUF / SWS		JUF / SWS			
Pré-étamé / Pre-tinned Sn 1 to 3μ	211 CC 2 S 0150		211 CC 2 S 1150		211 CC 2 S 4150		211 CC 2 S 2150		Cu Zn 15	85/105*
Pré-étamé / Pre-tinned Sn 1 to 3μ	211 CC 2 S 0160	211 CC 2 S 0161	211 CC 2 S 1160	211 CC 2 S 1161	211 CC 2 S 4160	211 CC 2 S 4161	211 CC 2 S 2160	211 CC 2 S 2161	Cu Fe 2P	125/155*
Post-doré / Post-gilded 0.2μ int/ext	211 CC 2 S 0260		211 CC 2 S 1260	211 CC 2 S 1261					Cu Fe 2P	125/155*
Pré-pisté / Pre-tracked 1.27μ int	211 CC 2 S 0460		211 CC 2 S 1460	211 CC 2 S 1461	211 CC 2 S 4460		211 CC 2 S 2460		Cu Fe 2P	125/155*
Pré-pisté / Pre-tracked 0.8μ int-0.4 ext			211 CC 2 S 1560						Cu Fe 2P	125/155*
Section / Gauge	0.22 to 0.35		0.4 to 0.75		0.8 to 1.3		1.35 to 2			
∅ Isolant Insulation	1.2 to 1.35		1.3 to 2.1		1.8 to 2.6		2.1 to 2.7			
A	1.53		2.6		2.75		3.1			
B	1.87		2.2		2.93		3.5			
R=C	0.33		0.75		0.64		0.75			
D	2.87	4.7	4.2	4.7	4.50	5	4.7	5		
E	3.05	4.15	3.3	4.15	4.30	4.5	4.2	4.5		
R=F	0.68	1.35	1.3	1.35	1.12	1.35	1.3	1.35		
Quantité par bobine Quantity per reel	5000	4000	5000	4000	4000	4000	4000	4000		
POIDS DU CARTON BOX WEIGHT	13.4 KG		13.4 KG		13.4 KG		13.4 KG			



PROTECTION OR / GOLD PLATING						
Reference	Area	Ni		Sn/Pb 90/10	Thickness Au	
		B	C		nominal	min
211 CC 2S X 2 60	B1 (INT/EXT)	0.5μMIN 0.1μMAX	1μMAX	1μMIN 6μMAX	0.25μ	0.20μ
211 CC 2S X 2 61						
211 CC 2S X 4 60	B2 (INT) Contact point	1μMIN 2μMAX	0.1μMAX	1μMIN 3μMAX	1.52μ	1.27μ
211 CC 2S X 4 61						
211 CC 2S X 5 60	B3 (EXT)				0.98μ	0.8μ
						0.5μ

ZONE ET DIMENSIONS VALABLES POUR TOUTES REFERENCES  
 AREA AND DIMENSIONS ARE VALID FOR ALL REFERENCES

INDICE PIECE=INDICE MAJEUR PLAN  
 PART REVISION LEVEL=REVISION MAJOR DRAWING



CONNECTIQUE SICMA-3

ARCHIVE LE 24/07/03

PROJ-31814589-001B2	28/07/03	E00	ADD 3D MODEL - CHANGE CAD SYSTEM DRAWING ISSUED OF 211 FT 0462 REV. E02 AND PC 211 CC 2S XXXX REV. E00 ADD A NEW FORM - ADD ALL REFERENCES 211 FT 0288 REPLACED BY THE 211 FT 0463	HERNANDEZ	HERNANDEZ
ECH. NO. DRAWING NO.	DATE ISSUE DATE	REVISION LEVEL	CHANGE DESCRIPTION	DRAWN BY DESIGNED BY	APPROVED BY CHECKED BY
PROJ. SPEC. SPEC. PRODUCT	PACKAGING SPEC. SPEC. PACKAGE	APPLICATION SPEC. SPEC. APPLICATION	THIS DRAWING AND ALL OTHER INFORMATION CONTAINED HEREIN IS PROPRIETARY AND THE PROPERTY OF FCI. This drawing may not be copied, reproduced or disclosed to any third party without the expressed written permission of FCI. © FCI 2003	CONTR. NO. CONTRACT NO.	CONTR. DETAIL CONTRACT DETAIL
TOLERANCES DIMENSIONS	±0.2 ±0.2	MATERIAL MATERIE	SEE TABLE	SURFACE FINISH ETAT DE SURFACE	CAD SYSTEM
DESIGNED BY CONTR. ENG. N°	DATE	COLOR COULEUR	FCI NO. N° FCI	ISO 9001 CERTIFIED	ISO 9001 CERTIFIED
DATE BY DATE	DATE	DESTINATION	DESTINATION	SCALE ECH. N°	SCALE ECH. N°
DATE BY DATE	DATE	DESTINATION	DESTINATION	SCALE ECH. N°	SCALE ECH. N°
DATE BY DATE	DATE	DESTINATION	DESTINATION	SCALE ECH. N°	SCALE ECH. N°

SICMA 3  
15 x 08 FEMALE TERMINAL

211 FT 0463

FILE NAME  
NOM DE FICHIER: 211FT0463

SCALE  
ECH. N°: 4:1

## X-ON Electronics

Largest Supplier of Electrical and Electronic Components

*Click to view similar products for [Automotive Connectors](#) category:*

*Click to view products by [APTIV](#) manufacturer:*

Other Similar products are found below :

[003-018-000](#) [60403001](#) [60993906-B](#) [M902-2131](#) [M902-2161](#) [72.330.1035.1](#) [73.353.4028.0](#) [F119300-B](#) [F166900](#) [F258300-B](#) [F358300-B](#)  
[F407400](#) [F444110](#) [F487000](#) [F509500B-B](#) [827153-1](#) [8N1515-32-24P](#) [9-1326729-8](#) [925474-1](#) [928905-1](#) [964562-4](#) [968782-1](#) [GT17SA-8DS-](#)  
[HU](#) [98891-1012](#) [98947-1016](#) [12004475-L](#) [12010290](#) [12010309-B](#) [12015454](#) [12020219-B](#) [12020308](#) [12041318-B](#) [12052225-L](#) [12052466](#)  
[12059125](#) [12064869](#) [12004327-B](#) [12010503-B](#) [12015308](#) [12015384](#) [12015909](#) [1-21030-1](#) [12041254](#) [12041318](#) [12047946-B](#) [12047957](#)  
[12047957-L](#) [12059473](#) [12066261](#) [12110546](#)