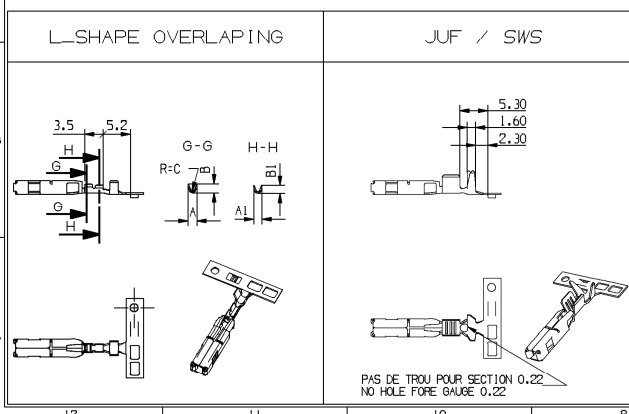
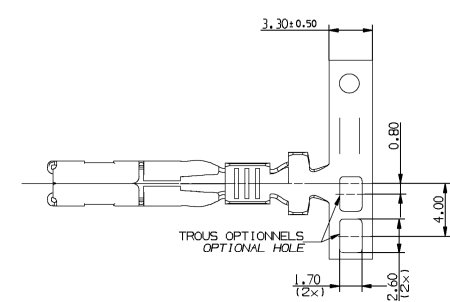
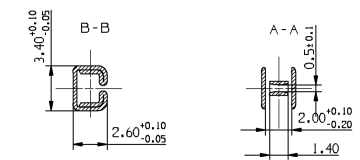
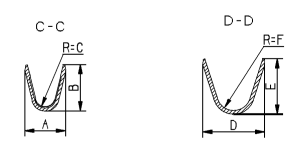
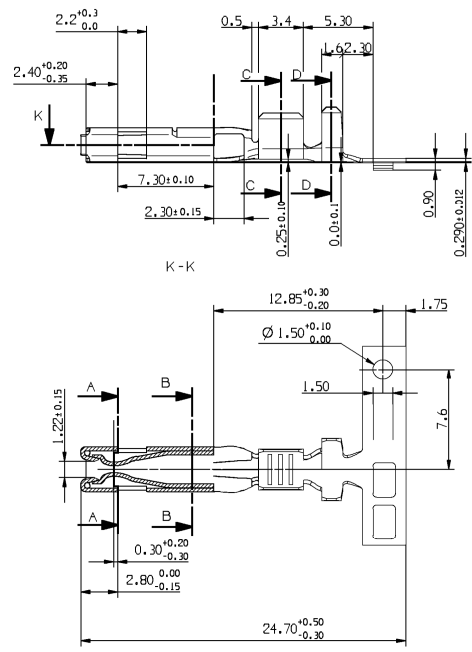
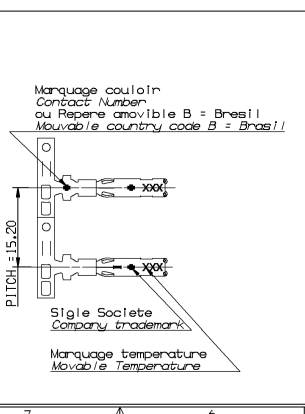


Eclairc Score	L-SHAPE OVERLAPPING		REQUIREMENT OVERLAPPING		REQUIREMENT OVERLAPPING		JUF / SWS		REQUIREMENT OVERLAPPING		JUF / SWS		Matière Material	Classe Class	Marquage Mark					
	P/N	Rev.	P/N	Rev.	P/N	Rev.	P/N	Rev.	P/N	Rev.	P/N	Rev.								
	P/N		P/N		P/N		P/N		P/N		P/N									
Pré-platé Pre-plated Sn 1 to 3µm	M/L	/	/	2110C250150P	0	2110C251150P	0	/	/	2110C254150P	0	/	/	2110C252150P	0	/	Cu Zn 15	65°	ND	
	APTIV	/	/	335236F2	01	13777390	01	/	/	335236F4	01	/	/	13777391	01	/				
	M/L	/	/	2110C250160P	0	2110C251160P	0	2110C251161P	0	2110C254160P	0	2110C254161P	0	2110C252160P	0	2110C252161P	0	Cu Fe 2P	125°	125
Pré-platé Pre-plated Au 1.07µm min	M/L	/	/	13625048	01	10863984	01	13761154	01	10865152	01	13761651	01	10863985	01	13761648	01	Cu Fe Ti Si	125°	150
	APTIV	/	/	335236F2	01	13625048	01	/	/	33501712	01	/	/	33511808	01	/				
	M/L	/	/	2110C250460P	0	2110C251460P	0	/	/	2110C254460P	0	/	/	2110C252460P	0	/	Cu Fe 2P	125°	125	
APTIV	33508341	01	13764603	01	13764604	01	/	01	33500701	01	/	/	13764602	01	/					
RANGE	00	0	0	1	4	2														
Section gauge	0.13	0.22	0.35 to 0.70	0.75 to 1.30	1.35 to 2.00															
Ø tolérances Tolerances	0.95 to 1.35	1.15 to 1.35	1.25 to 2.10	1.60 to 2.60	2.10 to 2.80															
A	1.75	1.53	2.60	2.88	3.10															
Al	1.60	/	/	/	/															
B	1.70	1.87	2.20	2.86	3.50															
R=C	0.31	0.33	0.75	0.75	0.75															
D ± 0.30	2.81	2.87	4.20	4.70	5.00															
E	2.60	3.05	3.30	4.15	4.20															
R=F	0.68	0.68	1.30	1.35	1.30															
Poids sans bande porteuse Weight without carrier strip	0.00045g	0.00043g	0.00049g	0.00044g	0.00046g															



PROTECTION OR / GOLD PLATING					
Reference	Area	Ni (µm)		Au (µm)	
		B	C	Sn	Sn
211 00 25 X460 P	SE (INT)	MIN	0.1	MAX	1.52
211 00 25 X461 P	CONTACT POINT	MIN	0.1	MAX	1.52

ZONE ET DIMENSIONS VALABLES POUR TOUTES REFERENCES ARE AND DIMENSIONS ARE VALID FOR ALL REFERENCES



DRW TIP
PART DRAWING
WEIGHT (GR)
VOLUME (CM)
ROUTING

UNLESS OTHERWISE SPECIFIED

GENERAL TOLERANCES ACCORDING TO: ±0.2 ±2°

SOFT ACCORDING TO:

DO NOT SCALE
USE MATH DATA

DO NOT SCALE
USE MATH DATA

DELPHI
DELPHI PACKARD ELECTRICAL/ELECTRONIC ARCHITECTURE
Espion, France

COPYRIGHT 2017 DELPHI CORPORATION AND/OR ITS AFFILIATES. ALL RIGHTS RESERVED. REVISED 2018

THIS DRAWING IS THE PROPERTY OF DELPHI CORPORATION AND CONTAINS DELPHI CONFIDENTIAL INFORMATION. THE REPRODUCTION, DISTRIBUTION AND UTILIZATION OF THIS DOCUMENT OR ITS RELATED CAD DATA, AS WELL AS COMMUNICATION OF ANY CONTENT TO OTHERS, WITHOUT EXPRESS AUTHORIZATION, IS PROHIBITED.

CE PLAN EST LA PROPRIETE DE DELPHI CORPORATION ET CONTIENT DES INFORMATIONS PERME PROPRIETES IFC. LA REPRODUCTION, LA DISTRIBUTION ET L'UTILISATION DE CE DOCUMENT OU DE SES DONNEES INTERRELIEES CAD, ANS QUE LA COMMUNICATION DE TOUT CONTENU A AUTRI, SANS AUTORISATION EXPRESSE EST INTERDITE.

DR	L. DOMERGUE	DATE	28MR17
API01	L. DELESCLUSE		28MR17
API02	P. CAPPE		28MR17
API03			
API04			
API05			

SUBSTANCES OF CONCERN AND RECYCLED CONTENT PER DELPHI 10949001 MATTERED PROPERTIES ET CONTENU RECYCLABLE SELON DELPHI 10949001

DRAWING NAME
FEMALE TERMINAL 1.50 x 0.80

DRAWING NUMBER
10857567

SIZE	SCALE	FRAME NO	SHEET NO	REV	N/P
A1	5:1	1 OF 1	1 OF 3	R	02 AC

CONTROLLED DOCUMENTS ARE ONLY AVAILABLE ON THE SERVER

X-ON Electronics

Largest Supplier of Electrical and Electronic Components

Click to view similar products for [Automotive Connectors](#) category:

Click to view products by [APTIV](#) manufacturer:

Other Similar products are found below :

[003-018-000](#) [60403001](#) [60993906-B](#) [629515004020001](#) [M902-2131](#) [M902-2161](#) [72.330.1035.1](#) [73.353.4028.0](#) [F119300-B](#) [F166900](#)
[F258300-B](#) [F358300-B](#) [F407400](#) [F444110](#) [F487000](#) [F509500B-B](#) [827153-1](#) [8N1515-32-24P](#) [9-1326729-8](#) [925474-1](#) [928905-1](#) [964562-4](#)
[968782-1](#) [GT17SA-8DS-HU](#) [98891-1012](#) [98947-1016](#) [12004475-L](#) [12010290](#) [12010309-B](#) [12015454](#) [12020219-B](#) [12020308](#) [12041318-B](#)
[12052225-L](#) [12052466](#) [12059125](#) [12064869](#) [12004327-B](#) [12010503-B](#) [12015308](#) [12015384](#) [12015909](#) [1-21030-1](#) [12041254](#) [12041318](#)
[12047946-B](#) [12047957](#) [12047957-L](#) [12059473](#) [12066261](#)