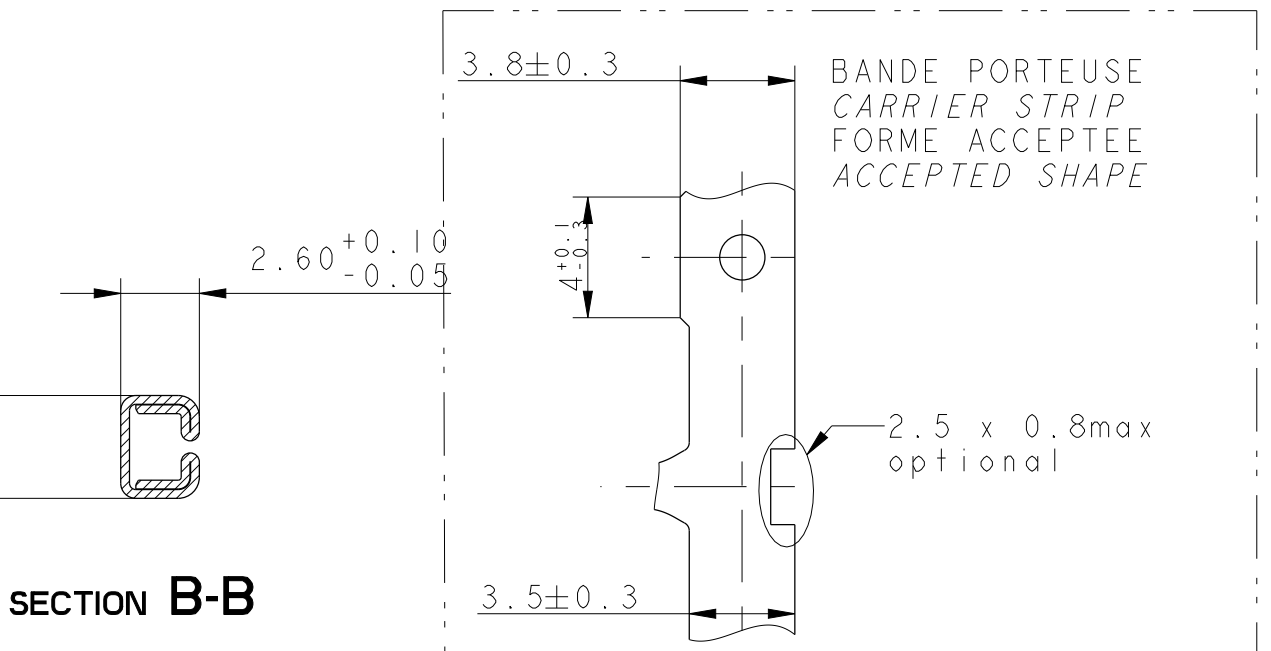
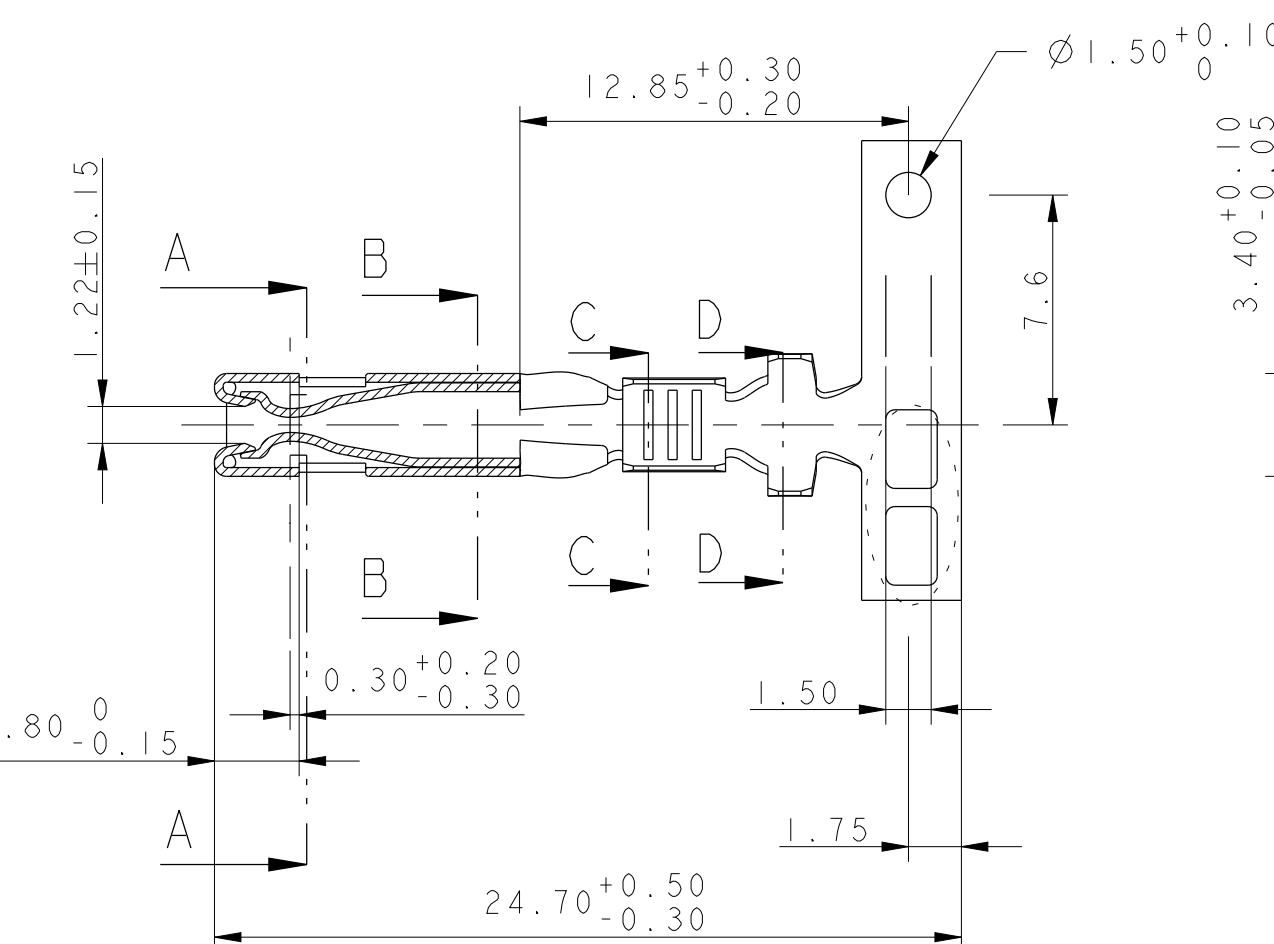
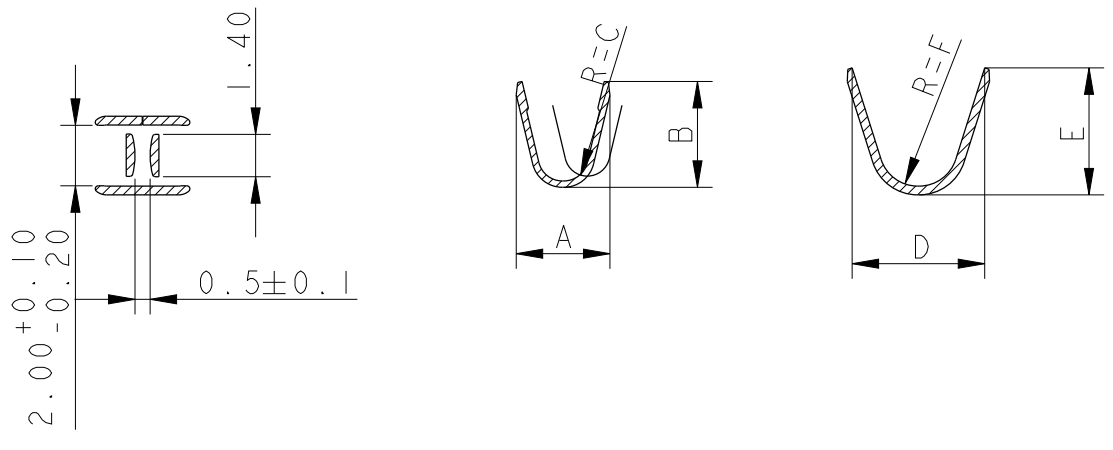
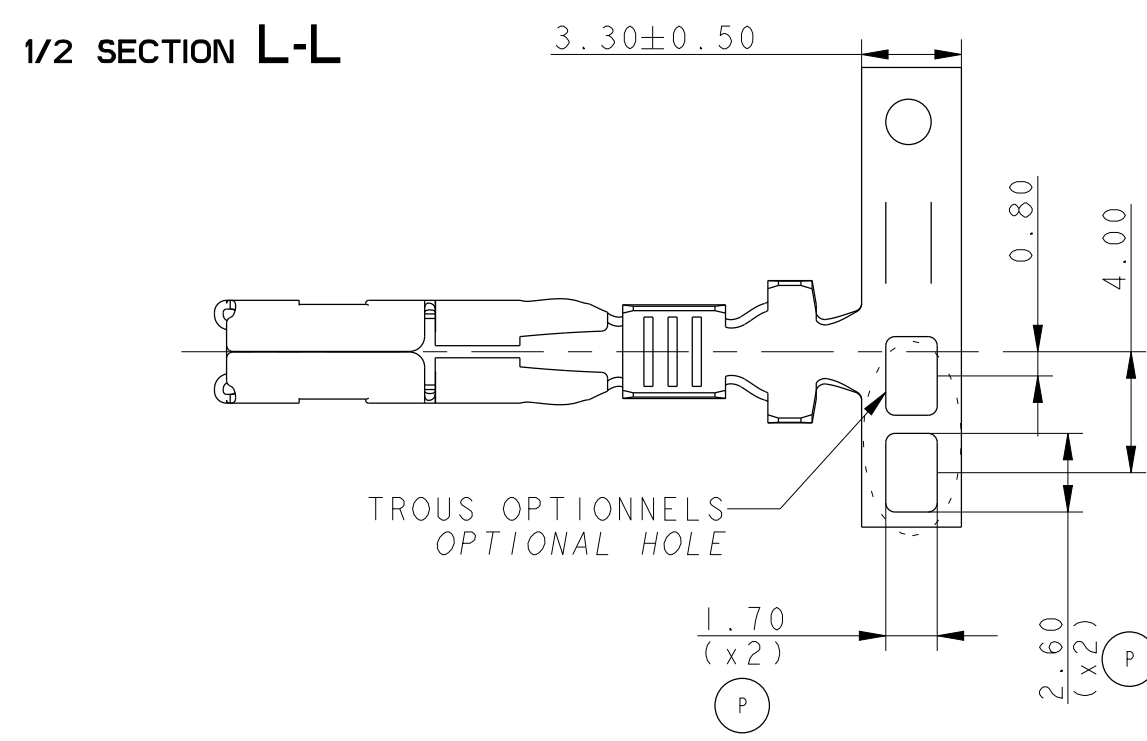


SECTION A-A **SECTION C-C** **SECTION D-D**

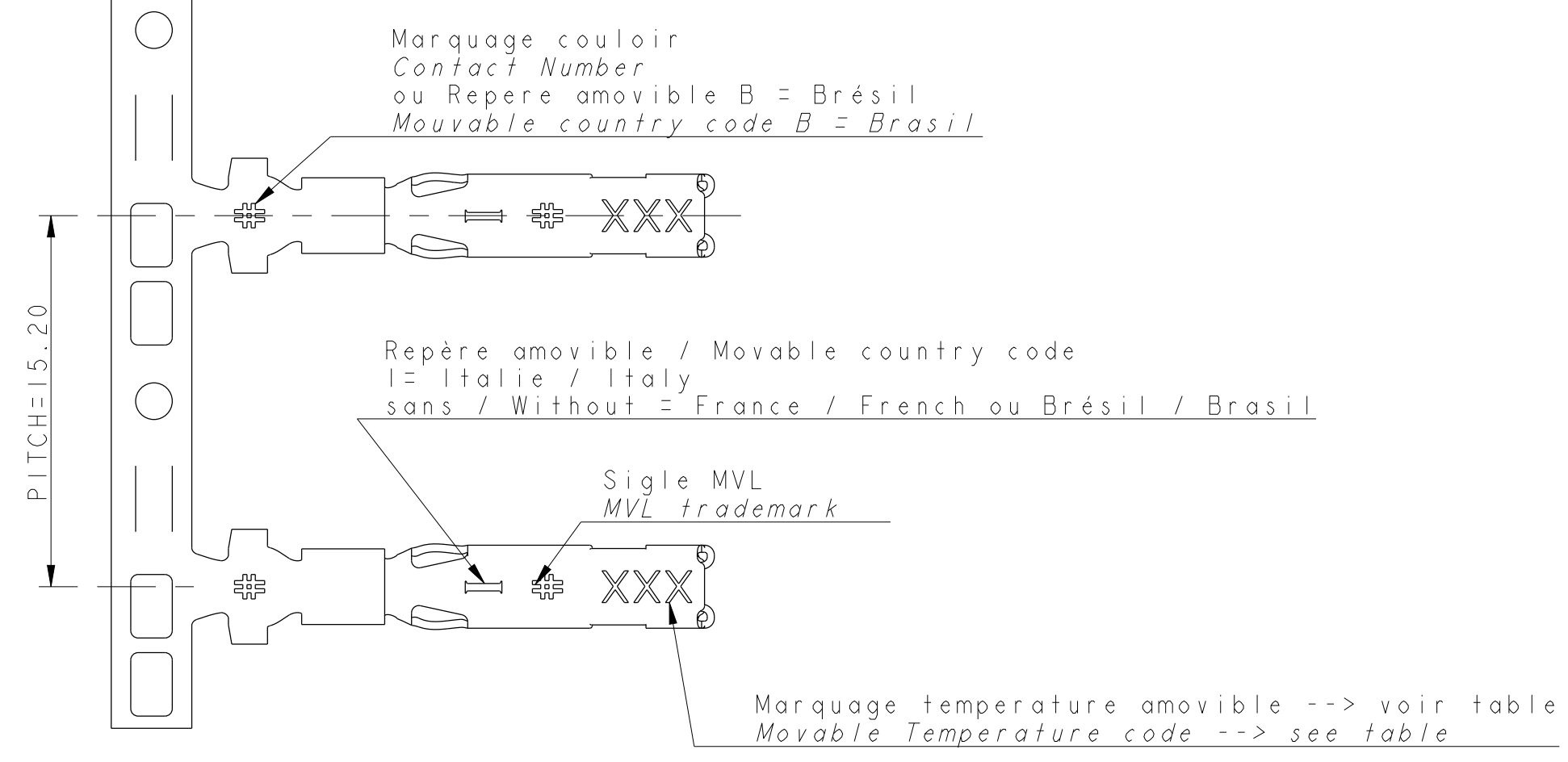
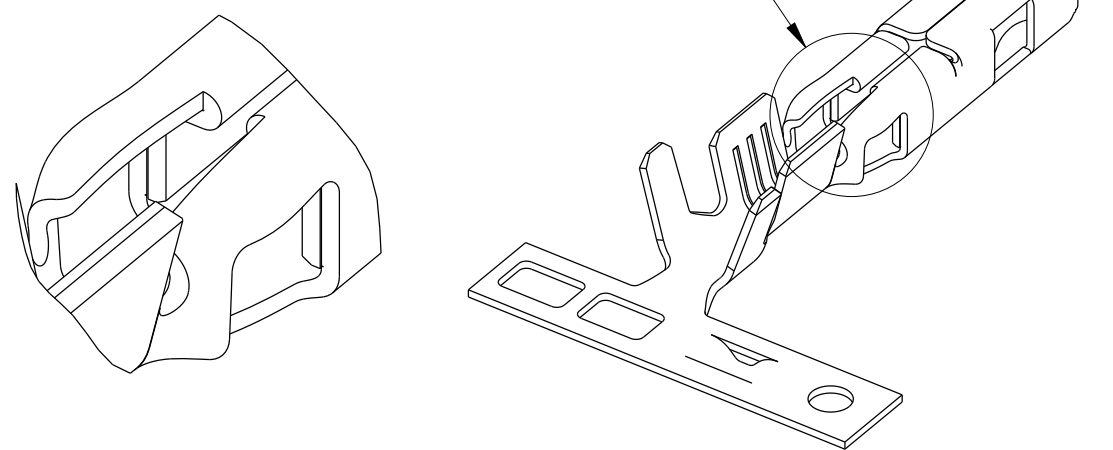


SECTION B-B

BANDE PORTEUSE
CARRIER STRIP
FORME ACCEPTEE
ACCEPTED SHAPE



DETAIL A
SCALE 10:1



Section Gauge

	0.22		0.35 to 0.70		0.75 to 1.3		1.35 to 2		
Isolant Insulation	1.15 to 1.35		1.25 to 2.1		1.6 to 2.6		2.1 to 2.8		
A	1.53		2.6		2.88		3.1		
B	1.87		2.2		2.86		3.5		
R=C	0.33		0.75		0.75		0.75		
D ± 0.30	2.87	4.7	4.2	4.7	3.00	4.7	5	4.7	5
E	3.05	4.15	3.3	4.15	3.00	4.2	4.5	4.2	4.5
R=F	0.68	1.35	1.3	1.35	0.80	1.3	1.35	1.3	1.35

Poids sans bande porteuse Weight without strip carrier

0.00043kg	0.00042kg	0.00045kg	0.00044kg	0.00042kg	0.00046kg	0.00045kg	0.00047kg	0.00046kg
-----------	-----------	-----------	-----------	-----------	-----------	-----------	-----------	-----------

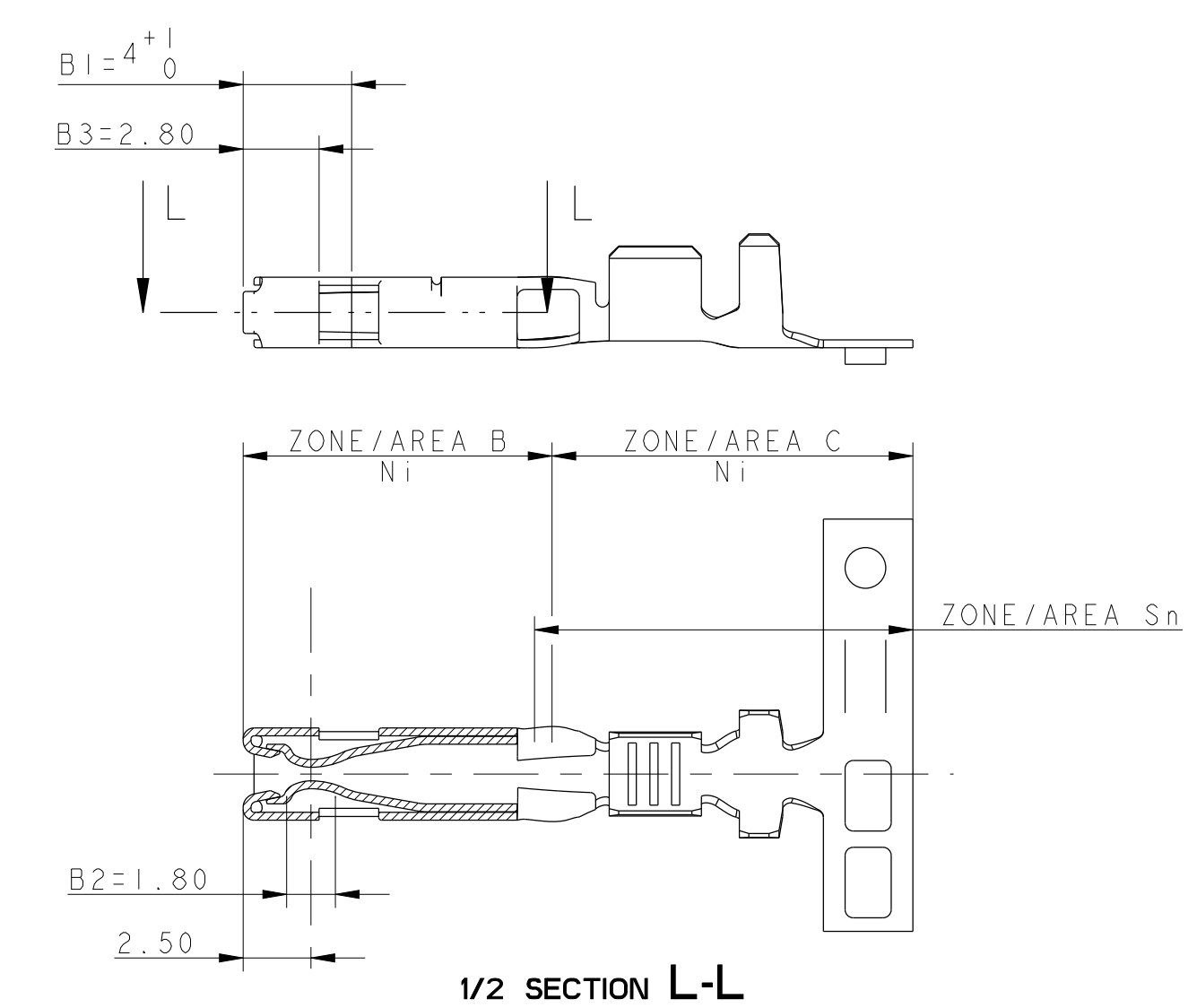
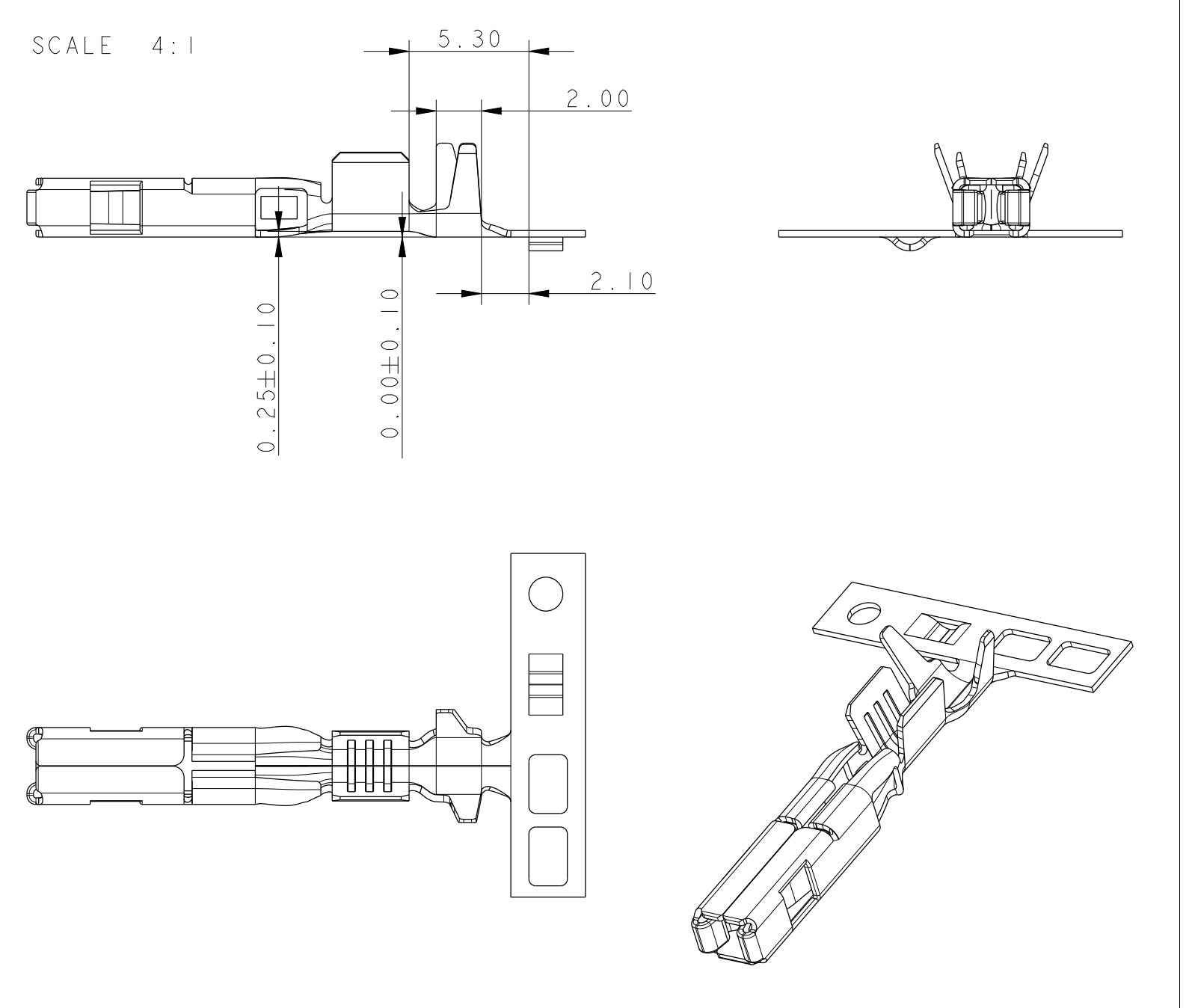
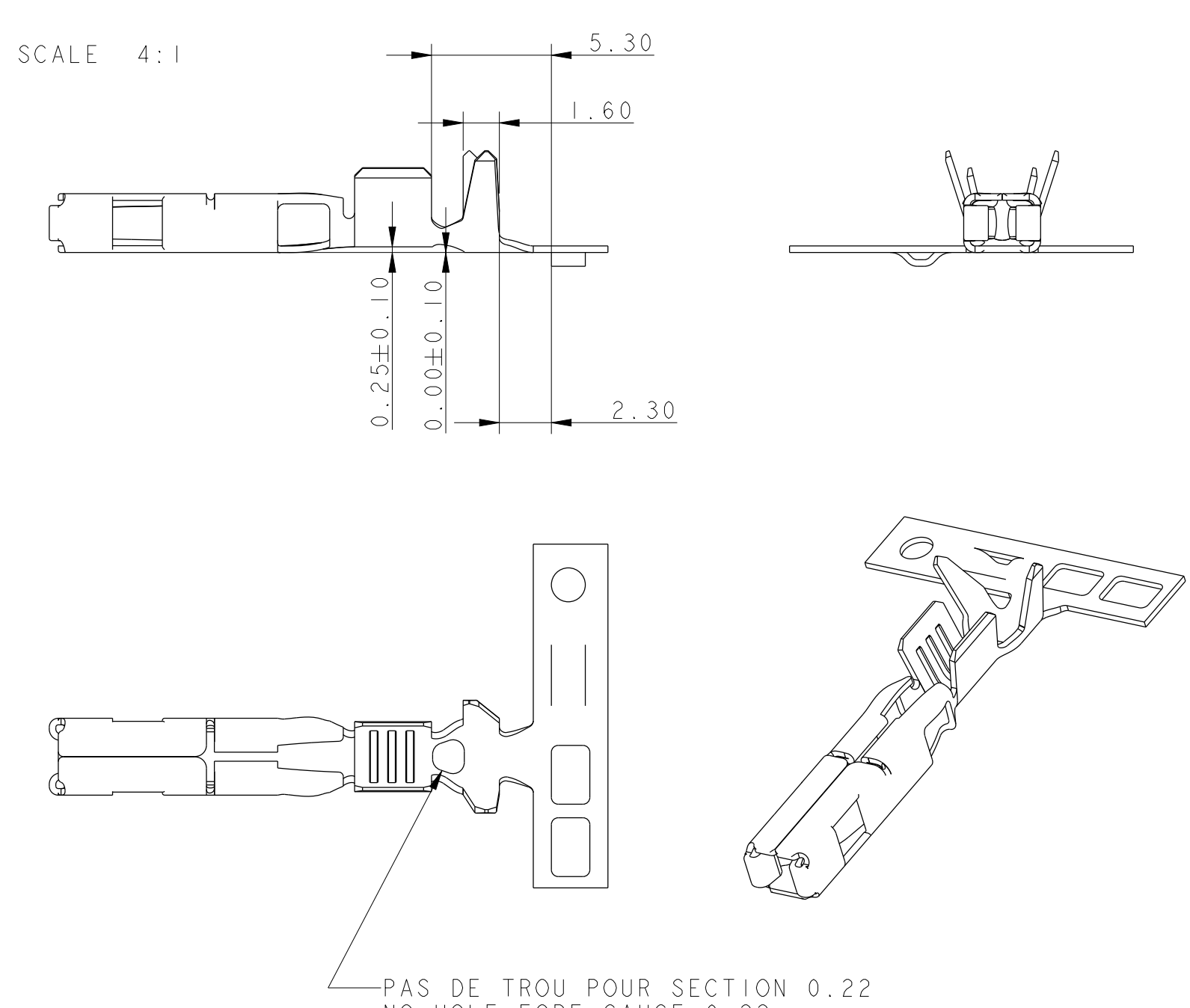
PROTECTION OR / GOLD PLATING

Pitch of the strip = 15.20 65 terminals per meter					
Reference	Area	Ni B	C	Sn (µm) nominal	Thickness Au (µm) min
211 CC 2S X 4 60	B2 (INT)	1µMIN	0.1µMAX		1.52µ 1.27µ
211 CC 2S X 4 61	Contact point				

ZONE ET DIMENSIONS VALABLES POUR TOUTES REFERENCES
AREA AND DIMENSIONS ARE VALID FOR ALL REFERENCES

JUF / SWS

FRETTAGE JUXTAPOSE
SIDE BY SIDE INSULATION



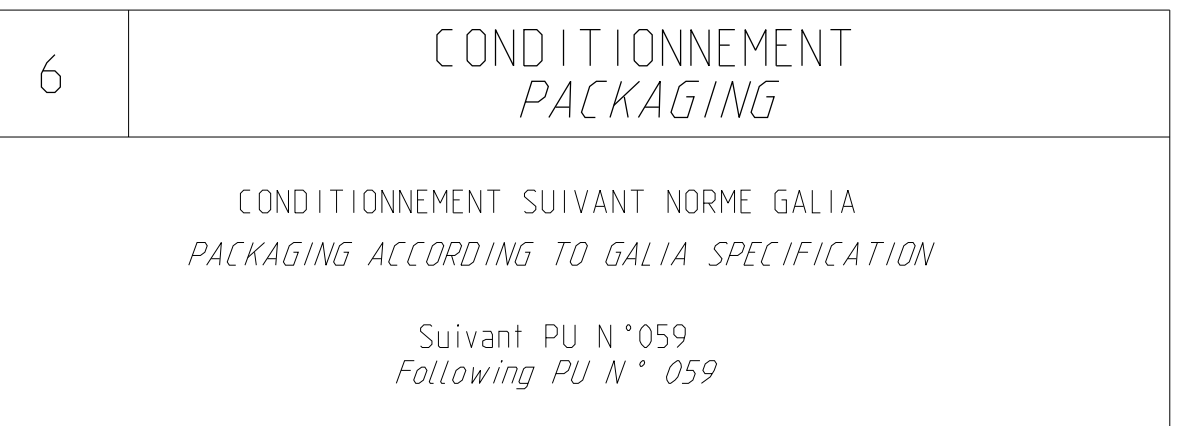
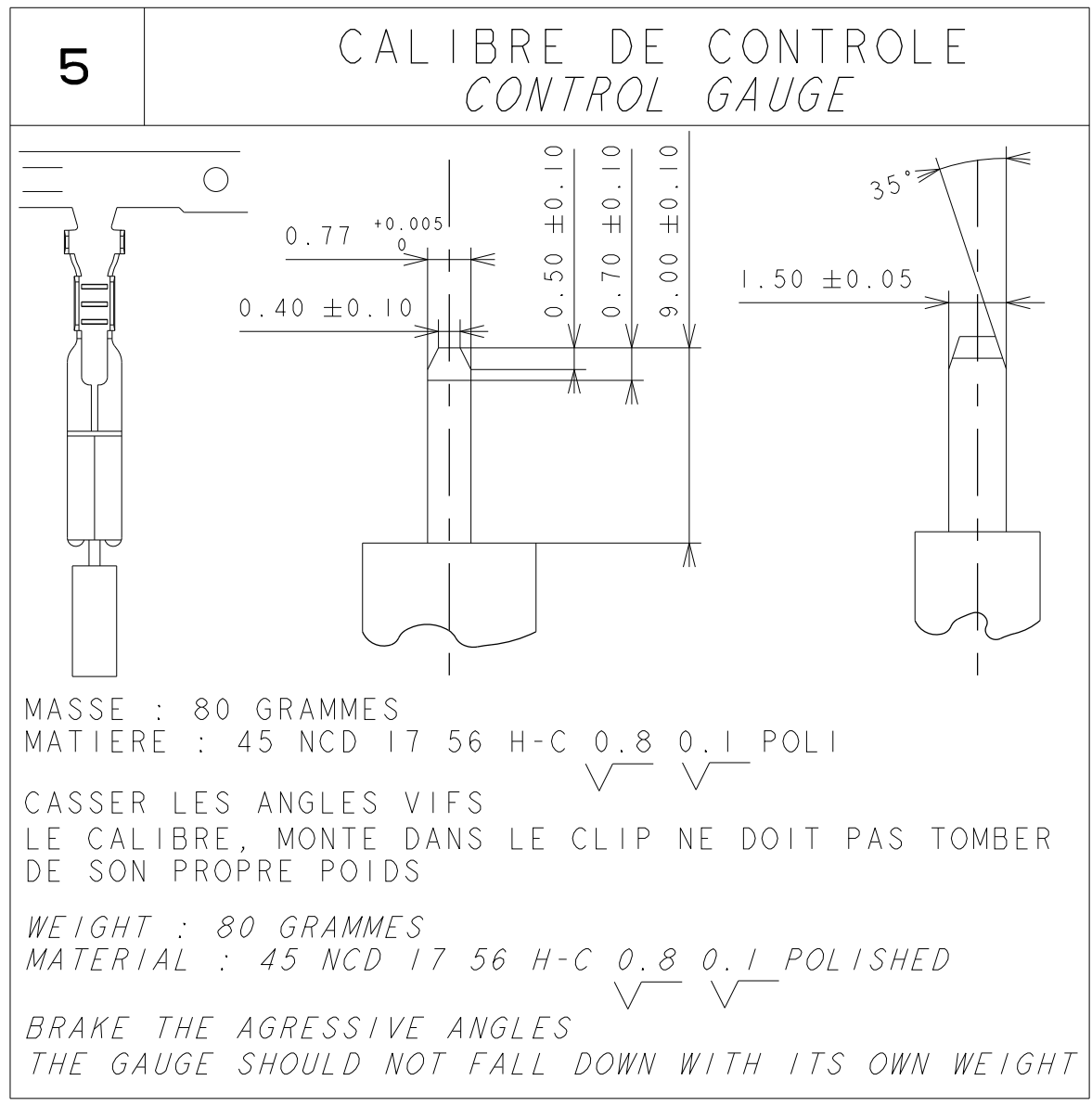
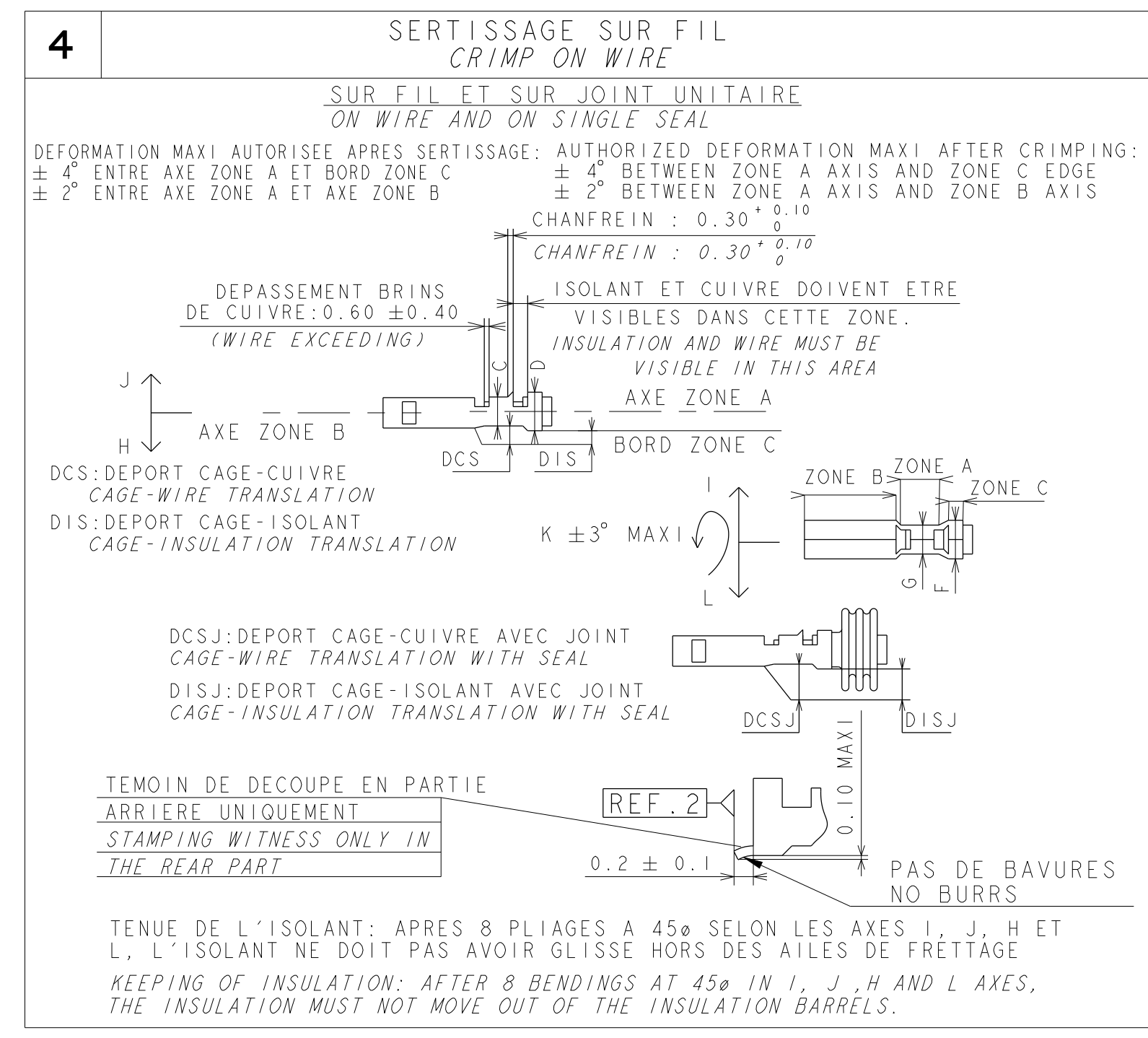
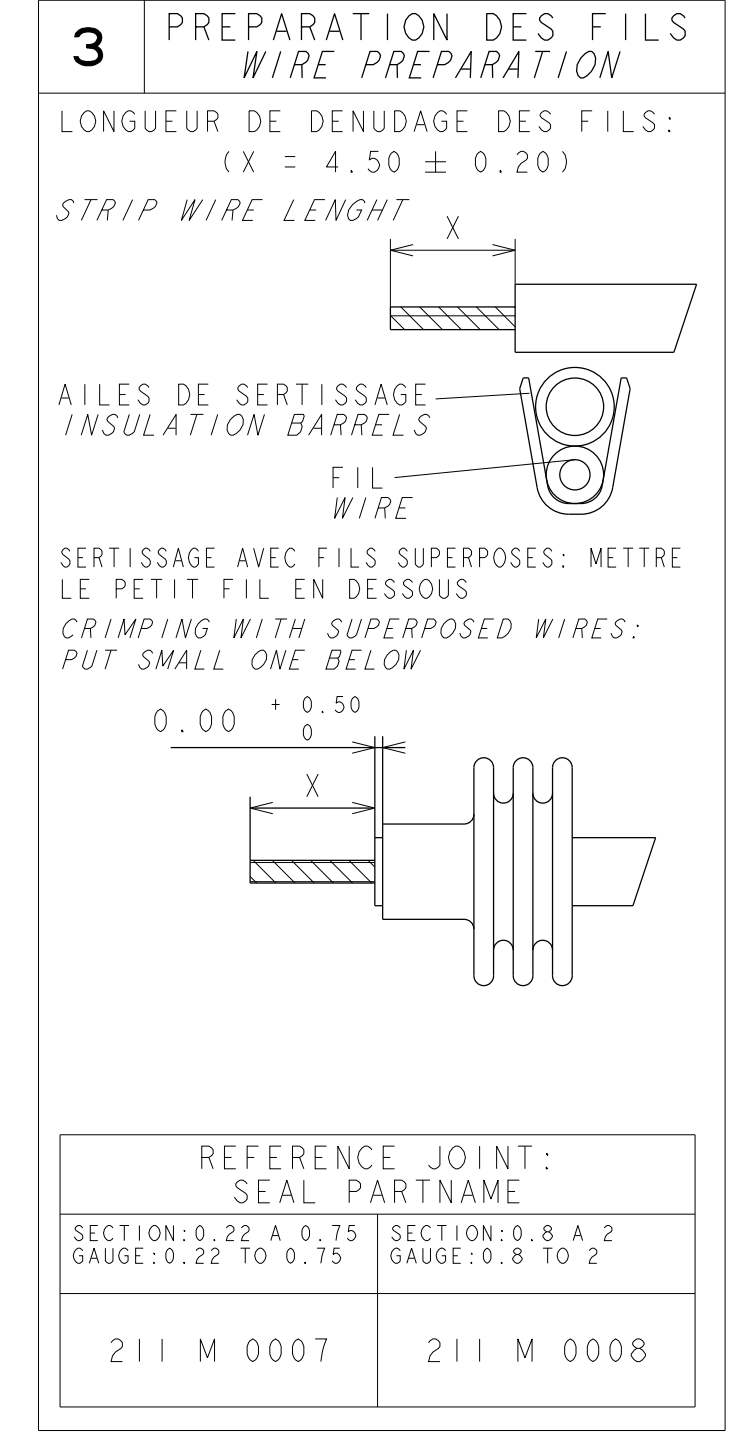
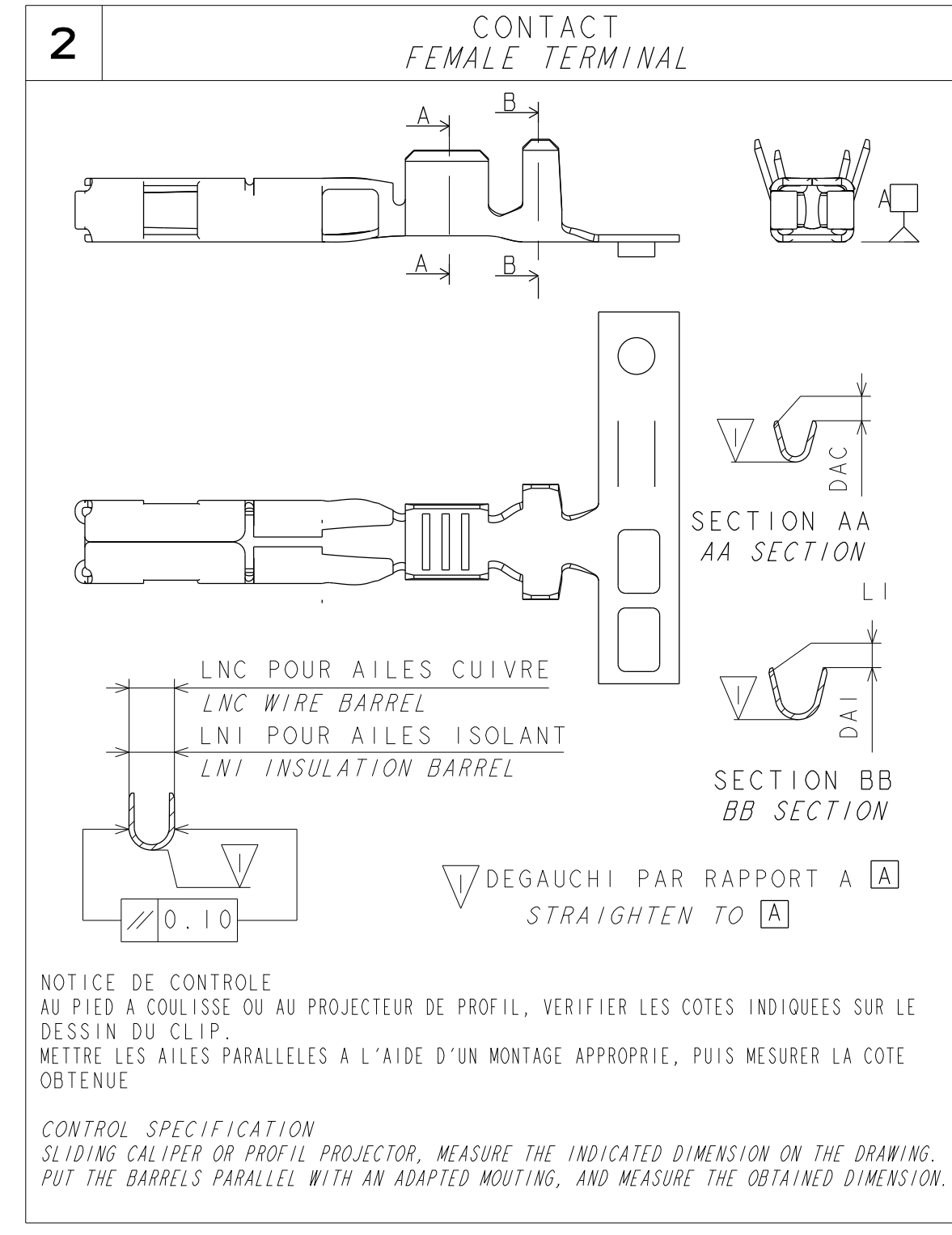
13-01079	SHEET 2	MODIFY CHAMFER 0.35; WIRE: COLUMN L5 : SYM WIRE PUNCH MODIFY CARRIER STRIP HOLE; MODIFY Ø INSULATION ADD DELPHI P/N	CHANGE DESCRIPTION MODIFICATION
12-00279	-	-	Add side by side insulation on new crimping range (sheet 3)
ECN11-00144-1	MS-15	Add side by side insulation	
	E13-E15	Add optional hole on carrier strip	
09 104	-	-	Part revision level G instead of F
	-	-	Update transition area shape
ECN-NO. NOMBRE ECN	POSITION		CHANGE DESCRIPTION MODIFICATION
PROJECT SPEC. SPECIF. PRODUIT	PACKAGING SPEC. SPECIF. EMBALLAGE	APPLICATION SPEC. SPECIF. APPLICATION	COPYRIGHT DELPHI CORPORATION AND/OR ITS AFFILIATES. ALL RIGHTS RESERVED. REVISED THIS DRAWING IS THE PROPERTY OF DELPHI CORPORATION AND CONTAINS DELPHI CONFIDENTIAL INFORMATION. FOR REPRODUCTION, DISTRIBUTION AND RESALE IN ANY MANNER OR BY ANY MEANS WITHOUT THE WRITTEN PERMISSION OF DELPHI CORPORATION IS PROHIBITED. REPRODUCTION, DISTRIBUTION AND RESALE OF THIS DRAWING IN ANY MANNER OR BY ANY MEANS WITHOUT EXPRESS AUTHORIZATION IS PROHIBITED. IL EST INTERDIT DE REPRODUIRE, DISTRIBUER ET DE VENDRE CE DROUING EN N'IMPORTE QUELLE MANIERE SANS LA PERMISSION ECRITE DE DELPHI CORPORATION.
TOLERANCES TOLERANCES	±0.2 ±0.2	MATERIAL: SEE TABLE ETAT DE SURFACE	DELPHI DELPHI ELECTRICAL/ELECTRONIC ARCHITECTURE
CONTAINER NO. CONTAINER N°		COLOR: COULEUR	ECO Des: C64 FE
DO NOT MEASURE DRAWING NE PAS MESURER LE DROUING		ECO NO. CODE PRODUCTION ISO	ISO PRODUCTION PRODUCTION ISO
CREATED BY DATE	DESIGNED BY DATE	TITLE DESIGNATION	DRAWING NUMBER REF. PLAN
MODIFIED BY DATE	APPROVED BY DATE		
ISSUED BY DATE			
FILE NAME 211FT0463			

NOUVELLES GAMMES DE SERTISSAGE
NEW CRIMPING RANGE

PARAMETRES DE SERTISSAGE
CRIMP PARAMETERS

SECTION GAUGE	CONTACT FEMALE TERMINAL						SERTISSAGE CUIVRE WIRE BARREL				FRETAGE ISOLANT INSULATION BARREL						
	DAC MAXI	DAI MAXI	LNC ± 0.25	LNI ± 0.25	DCS ± 0.10	DCSJ ± 0.10	SECTION (mm²)		LARGEUR WIDTH	HAUTEUR HEIGHT	Ø EQU EQUI Ø	PAR RECOUVREMENT WITH OVERLAPPING		JUXTAPOSE SIDE BY SIDE		AVEC JUF WITH SWS	
							THEORIQUE THEORETICAL	REELLE REAL				(LARGEUR) (WIDTH)	(HAUTEUR) (HEIGHT)	(LARGEUR) (WIDTH)	(HAUTEUR) (HEIGHT)	(LARGEUR) (WIDTH)	(HAUTEUR) (HEIGHT)
0.22mm²	0.25	0.25	1.25	2.00	0.35	0.35	0.22	0.22	1.42	0.88	1.20	(2.03)	(1.75)			(3.03)	(2.50)
0.35mm² To 0.70mm²	0.25	0.25	2.10	3.20	0.35	0.35	0.35	0.32	1.65	1.09	1.30	(2.58)	(2.02)	(2.03)	(1.72)	(3.06)	(2.58)
0.75mm² To 1.30mm²	0.25	0.25	2.10	3.20	0.35	0.35	0.35	0.32	1.65	1.09	1.50	(2.56)	(2.05)	(2.09)	(1.83)	(3.06)	(2.65)
							0.50	0.49	1.65	1.17	1.50	(2.58)	(2.05)	(2.09)	(1.83)	(3.11)	(2.71)
							0.35 + 0.35	0.64	1.64	1.24	2.03	(2.60)	(2.31)	(2.13)	(2.20)		
							0.75	0.72	1.90	1.31	1.79	(3.00)	(2.20)			(3.49)	(2.97)
							0.85	0.86	1.91	1.37	1.80	(3.01)	(2.23)			(3.49)	(2.97)
1.35mm² To 2.0mm²	0.25	0.25	2.10	3.20	0.35	0.35	1.00	0.93	1.91	1.40	1.86	(3.02)	(2.30)			(3.51)	(3.00)
							0.35 + 0.50	0.81	1.91	1.34	2.11	(3.03)	(2.45)				
							0.35 + 0.75	1.04	1.92	1.44	2.31	(3.05)	(2.64)				
							0.35 + 1.00	1.25	1.92	1.53	2.43	(3.05)	(2.65)				
							0.50 + 0.50	0.98	1.91	1.42	2.19	(3.04)	(2.60)			(3.75)	(3.27)
1.40	1.50	2.00	1.82	2.36	1.52	2.30	0.75 + 0.75	1.44	2.36	1.55	2.50	(3.24)	(2.62)			(3.69)	(3.20)
							0.50 + 0.75	1.21	1.92	1.51	2.38	(3.05)	(2.65)			(3.80)	(3.35)
							1.40	1.33	2.36	1.52	2.30	(3.22)	(2.54)				
							1.50	1.53	2.36	1.59	2.20	(3.20)	(2.50)				
							2.00	1.82	2.36	1.69	2.44	(3.26)	(2.65)				

(valeur): UNIQUEMENT POUR INFORMATION (value) : FOR INFORMATION ONLY



ECN-NO. NUMERO ECH	POSITION	CHANGE DESCRIPTION MODIFICATION
		See Sheet 1
PROJECT SPEC SPECIFIC PRODUCT	PACKAGING SPEC SPECIFIC ENVELOPE	APPLICATION SPEC SPECIFIC APPLICATION
TOLERANCES: ±0.2 ±0.1 MATERIAL: SEE TABLE COLOUR: COULEUR TOOL NO.: CODE C. C. C. E ISO PROJECTION: PROJECTION ISO ECO LEX: C64 F E CODE C. C. C. E		
CREATED BY COUL FAN	DATE 2003-07-29	TITLE DESIGNATION
MODIFIED BY MULLER P	DATE 2013-01-17	TITLE DESIGNATION
CREATED BY MULLER P	DATE 2013-01-17	TITLE DESIGNATION
APPROVED BY MULLER P	DATE 2013-01-17	TITLE DESIGNATION
FILE NAME 211FT0463	NUMERO ECH 211FT0463	NUMERO CAP FBA-0332
SURFACE FINISH: ETAT DE SURFACE DELPHI PACKARD ELECTRICAL/ELECTRONIC ARCHITECTURE EPHEON, FRANCE DIMENSIONS IN MILLIMETERS DIMENSIONS EN MILLIMETRES DRAWING NUMBER REF. PLAN 211FT0463 SERIAL RELEASED See Table		

X-ON Electronics

Largest Supplier of Electrical and Electronic Components

Click to view similar products for [Automotive Connectors](#) category:

Click to view products by [APTIV](#) manufacturer:

Other Similar products are found below :

[003-018-000](#) [60403001](#) [60993906-B](#) [629515004020001](#) [M902-2131](#) [M902-2161](#) [72.330.1035.1](#) [73.353.4028.0](#) [F119300-B](#) [F166900](#)
[F258300-B](#) [F358300-B](#) [F407400](#) [F444110](#) [F487000](#) [F509500B-B](#) [827153-1](#) [8N1515-32-24P](#) [9-1326729-8](#) [925474-1](#) [928905-1](#) [964562-4](#)
[968782-1](#) [GT17SA-8DS-HU](#) [98891-1012](#) [98947-1016](#) [12004475-L](#) [12010290](#) [12010309-B](#) [12015454](#) [12020219-B](#) [12020308](#) [12041318-B](#)
[12052225-L](#) [12052466](#) [12059125](#) [12064869](#) [12004327-B](#) [12010503-B](#) [12015308](#) [12015384](#) [12015909](#) [1-21030-1](#) [12041254](#) [12041318](#)
[12047946-B](#) [12047957](#) [12047957-L](#) [12059473](#) [12066261](#)