

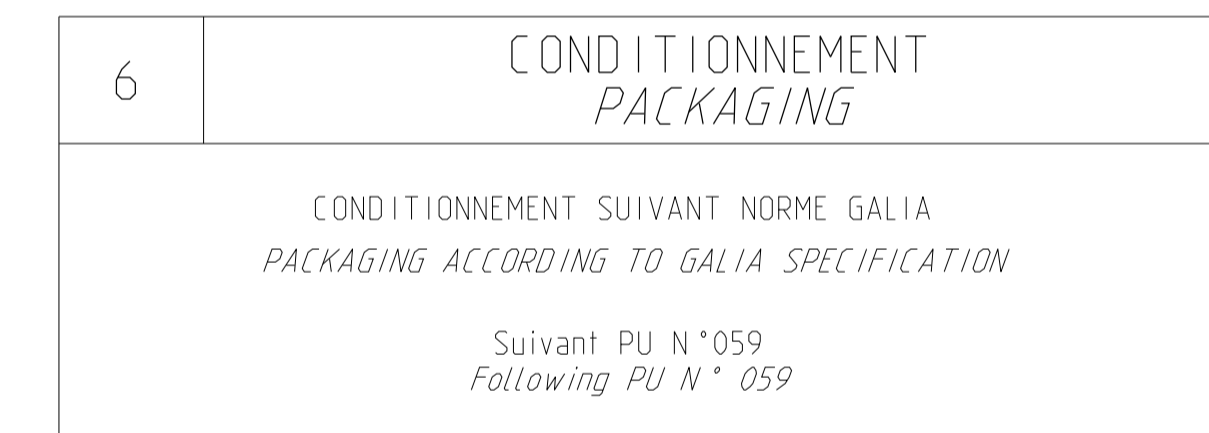
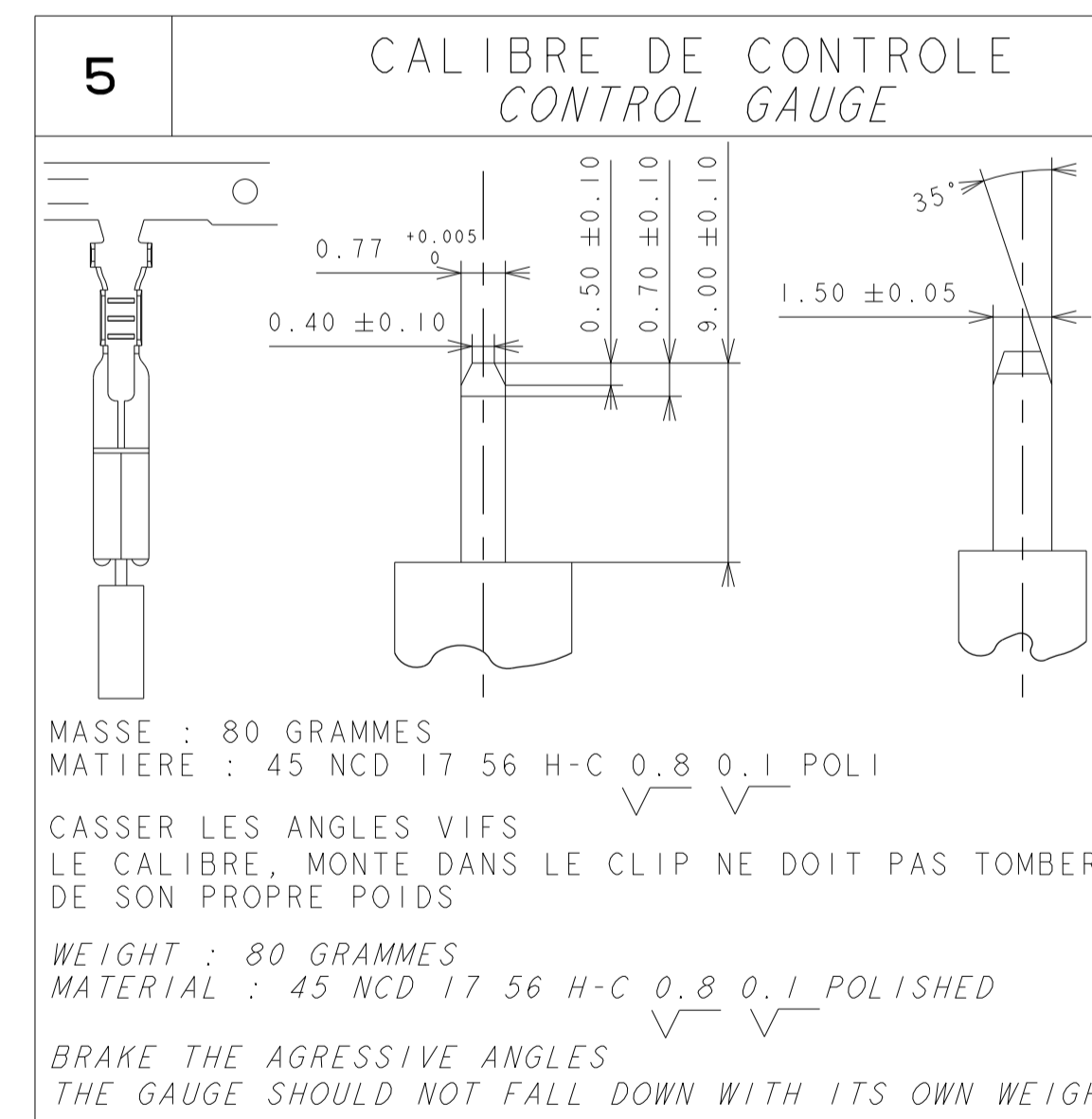
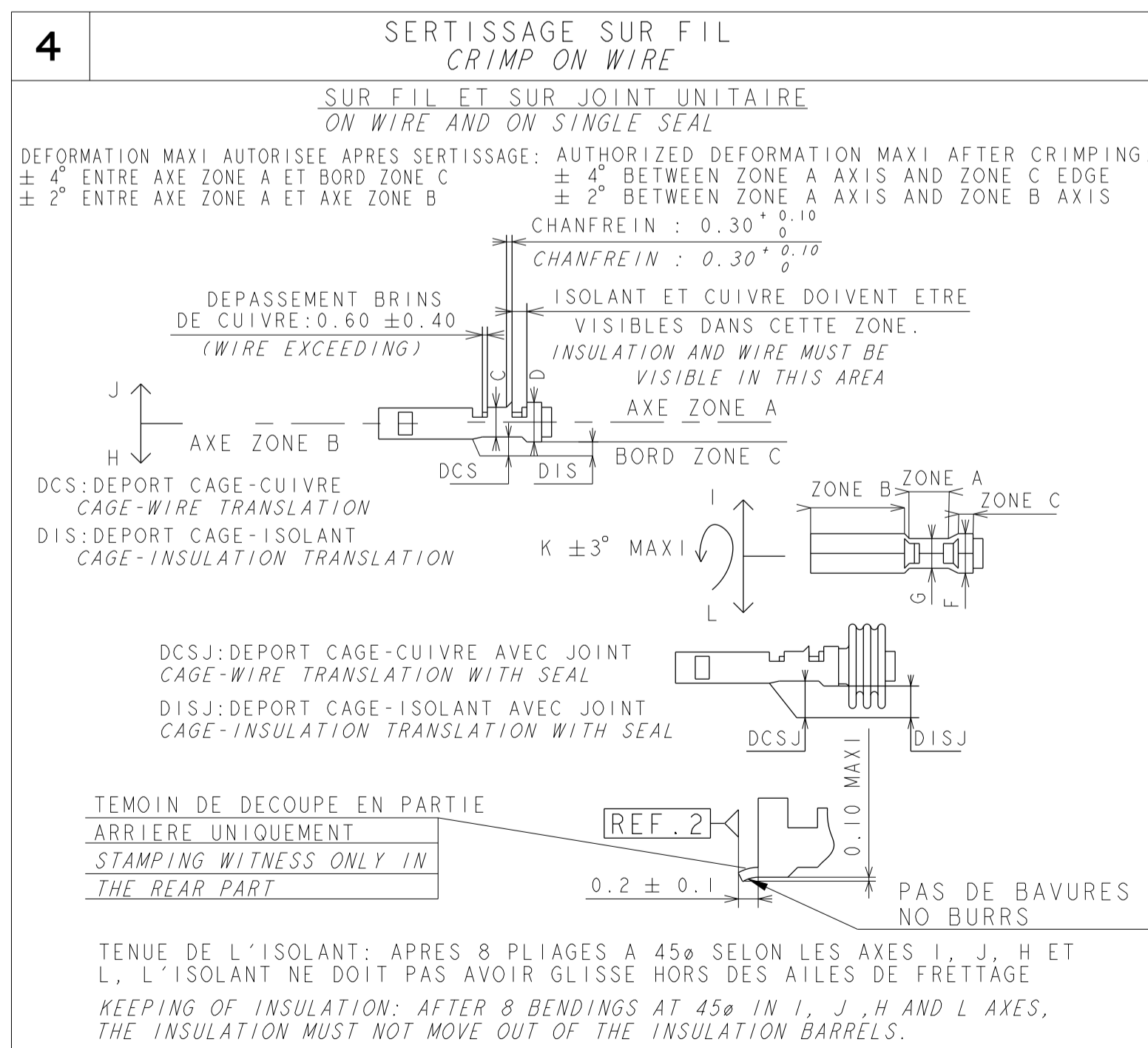
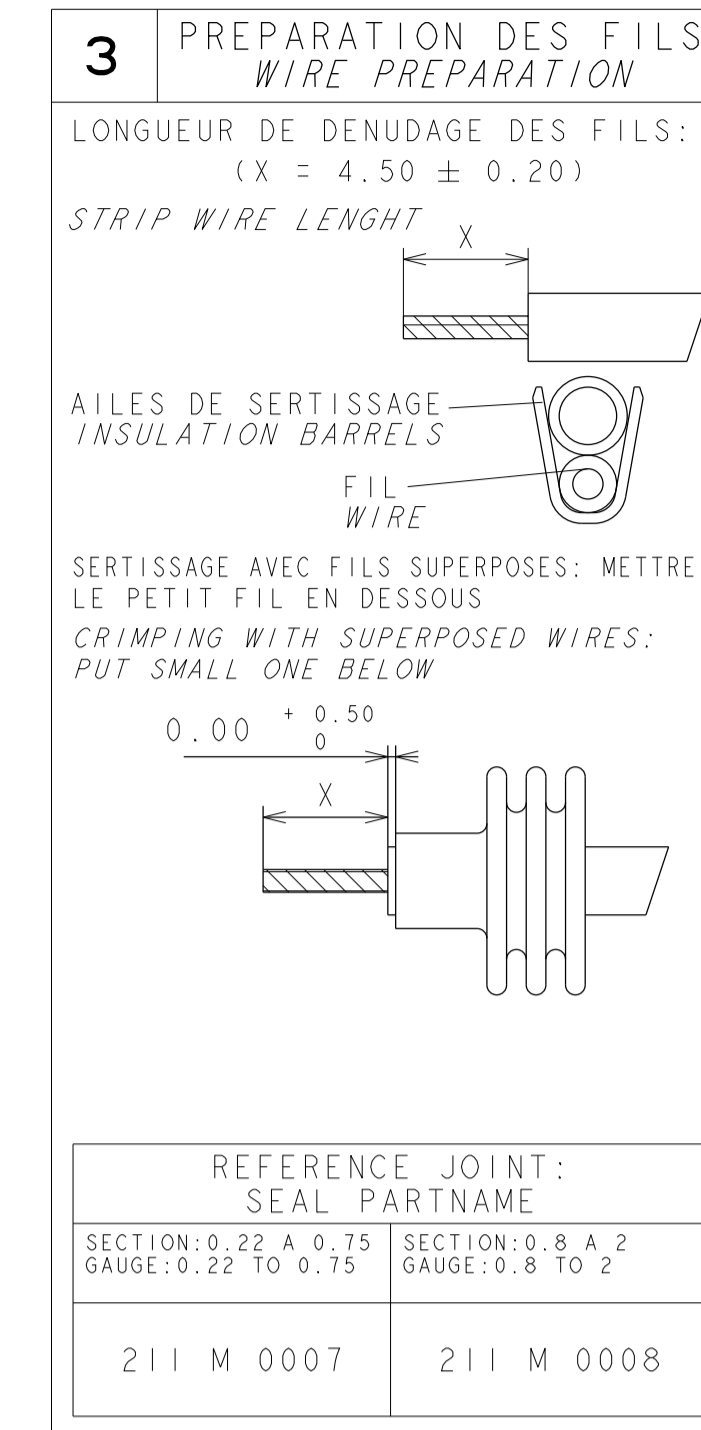
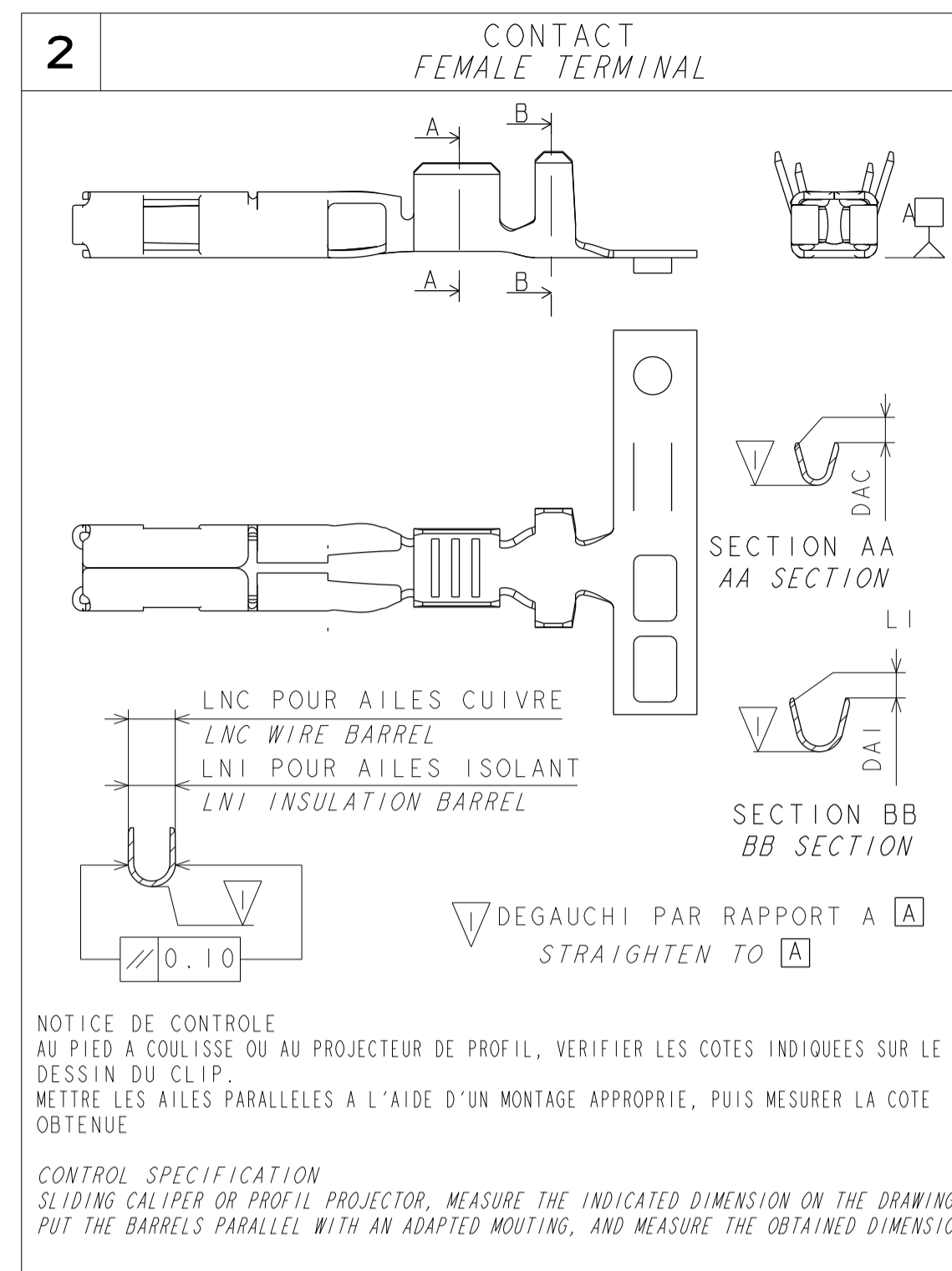
NOUVELLES GAMMES DE SERTISSAGE

NEW CRIMPING RANGE

**PARAMETRES DE SERTISSAGE
CRIMP PARAMETERS**

SECTION GAUGE	CONTACT FEMALE TERMINAL						SERTISSAGE CUIVRE WIRE BARREL						FRETAGE ISOLANT INSULATION BARREL					
	DAC MAXI	DAI MAXI	LNC ± 0.25	LNI ± 0.25	DCS ± 0.10	DCSJ ± 0.10	THEORIQUE THEORETICAL	REELLE REAL	LARGEUR WIDTH	HAUTEUR HEIGHT	Ø EQU EQUI	PAR RECOUVREMENT WITH OVERLAPPING		JUXTAPOSE SIDE BY SIDE		AVEC JUF WITH SWS		
												(LARGEUR) (WIDTH)	(HAUTEUR) (HEIGHT)	(LARGEUR) (WIDTH)	(HAUTEUR) (HEIGHT)	(LARGEUR) (WIDTH)	(HAUTEUR) (HEIGHT)	
0.22mm ²	0.25	0.25	1.25	2.00	0.35	0.35	0.22	0.22	1.42	0.88	1.20	(2.03)	(1.75)			(3.03)	(2.50)	
0.35mm ² To 0.70mm ²	0.25	0.25	2.10	3.20	0.35	0.35	0.35	0.32	1.65	1.09	1.30	(2.58)	(2.02)	(2.03)	(1.72)	(3.06)	(2.58)	
0.75mm ² To 1.30mm ²	0.25	0.25	2.10	3.20	0.35	0.35	0.35	0.32	1.65	1.09	1.50	(2.56)	(2.05)	(2.09)	(1.83)	(3.06)	(2.65)	
							0.50	0.49	1.65	1.17	1.50	(2.58)	(2.05)	(2.09)	(1.83)	(3.11)	(2.71)	
							0.35 + 0.35	0.64	1.64	1.24	2.03	(2.60)	(2.31)	(2.13)	(2.20)			
							0.75	0.72	1.90	1.31	1.79	(3.00)	(2.20)			(3.49)	(2.97)	
							0.85	0.86	1.91	1.37	1.80	(3.01)	(2.23)			(3.49)	(2.97)	
1.35mm ² To 2.0mm ²	0.25	0.25	2.10	3.20	0.35	0.35	1.00	0.93	1.91	1.40	1.86	(3.02)	(2.30)			(3.51)	(3.00)	
							0.35 + 0.50	0.81	1.91	1.34	2.11	(3.03)	(2.45)					
							0.35 + 0.75	1.04	1.92	1.44	2.31	(3.05)	(2.64)					
							0.35 + 1.00	1.25	1.92	1.53	2.43	(3.05)	(2.65)					
							0.50 + 0.50	0.98	1.91	1.42	2.19	(3.04)	(2.60)					
H	0.35	0.35	2.10	3.20	0.35	0.35	0.50 + 0.75	1.21	1.92	1.51	2.38	(3.05)	(2.65)					
							1.40	1.33	2.36	1.52	2.30	(3.22)	(2.54)			(3.75)	(3.27)	
							1.50	1.53	2.36	1.59	2.20	(3.20)	(2.50)			(3.69)	(3.20)	
							2.00	1.82	2.36	1.69	2.44	(3.26)	(2.65)			(3.80)	(3.35)	
							0.50 + 1.00	1.42	2.36	1.55	2.50	(3.24)	(2.62)					
H	0.35	0.35	2.10	3.20	0.35	0.35	0.75 + 0.75	1.44	2.36	1.55	2.56	(3.25)	(2.65)					
							1.00 + 1.00	1.86	2.36	1.70	2.79	(3.25)	(2.65)					

(valeur): UNIQUEMENT POUR INFORMATION (value) : FOR INFORMATION ONLY



ECN-NO. NUMERO ECH	POSITION	CHANGE DESCRIPTION	MODIFICATION
PROJECT SPEC. SPECIF. PRODUIT	PACKAGING SPEC. SPECIF. EMBALAGE	APPLICATION SPEC. SPECIF. APPLICATION	COPYRIGHT DELPHI CORPORATION AND/OR ITS AFFILIATES. ALL RIGHTS RESERVED. REVISED THIS DRAWING IS THE PROPERTY OF DELPHI CORPORATION AND CONTAINS DELPHI CONFIDENTIAL INFORMATION. THE REPRODUCTION, DISTRIBUTION AND RELEASE OF THIS DOCUMENT TO OTHERS WITHOUT EXPRESS AUTHORIZATION, IS PROHIBITED. LE DROIT DE PROPRIETE DE DELPHI CORPORATION ET/OU SES FILIALES EST RESERVE. CE PLAN EST LA PROPRIETE DE DELPHI CORPORATION ET CONTIENT DES INFORMATIONS CONFIDENTIELLES. LA REPRODUCTION, LA DISTRIBUTION ET LA DIFFUSION DE CE DOCUMENT A D'autres, SANS AUTORISATION PREALABLE, EST INTERDITE.
TOLERANCES TOLERANCES	±0.2 ±0.2	MATERIAL: SEE TABLE	ETAT DE SURFACE
CONTRIBUTOR: CONTRIBUEUR	DATE	NAME	TITLE
DESIGNED BY: CONCEPTEUR	DATE	NAME	TITLE
APPROVED BY: APPROUVE	DATE	NAME	TITLE
FILE NAME	211FT0463		
DRAWING NUMBER REF. PLAN		DRAWING NUMBER REF. PLAN	
211FT0463		211FT0463	
PROJECT PROJECT		PROJECT PROJECT	
15 x 08 FEMALE TERMINAL		15 x 08 FEMALE TERMINAL	
STATE ETAT		STATE ETAT	
3		3	
PART NUMBER REF. ARTICLE		PART NUMBER REF. ARTICLE	
211FT0463		211FT0463	
SEE TABLE		SEE TABLE	
SERIAL RELEASED		SERIAL RELEASED	
P		P	
SHEET FEUILLE		SHEET FEUILLE	
3		3	
REV. IND.		REV. IND.	
3		3	
SCALE ECHELLE		SCALE ECHELLE	
1:1		1:1	

X-ON Electronics

Largest Supplier of Electrical and Electronic Components

Click to view similar products for [Automotive Connectors](#) category:

Click to view products by [APTIV](#) manufacturer:

Other Similar products are found below :

[003-018-000](#) [60403001](#) [60993906-B](#) [629515004020001](#) [M902-2131](#) [M902-2161](#) [72.330.1035.1](#) [73.353.4028.0](#) [F119300-B](#) [F166900](#)
[F258300-B](#) [F358300-B](#) [F407400](#) [F444110](#) [F487000](#) [F509500B-B](#) [827153-1](#) [8N1515-32-24P](#) [9-1326729-8](#) [925474-1](#) [928905-1](#) [964562-4](#)
[968782-1](#) [GT17SA-8DS-HU](#) [98891-1012](#) [98947-1016](#) [12004475-L](#) [12010290](#) [12010309-B](#) [12015454](#) [12020219-B](#) [12020308](#) [12041318-B](#)
[12052225-L](#) [12052466](#) [12059125](#) [12064869](#) [12004327-B](#) [12010503-B](#) [12015308](#) [12015384](#) [12015909](#) [1-21030-1](#) [12041254](#) [12041318](#)
[12047946-B](#) [12047957](#) [12047957-L](#) [12059473](#) [12066261](#)