

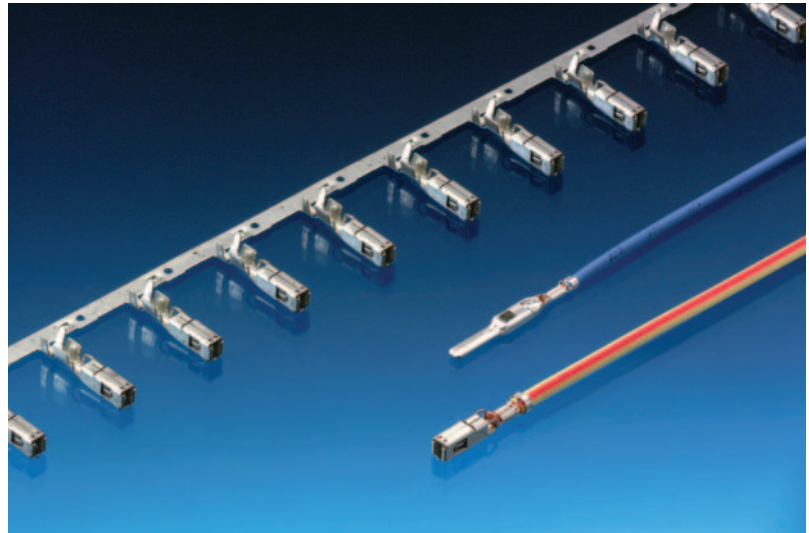
# Sicma-3



## 2.8 mm female and male terminals

### Features

- Sicma-3 technology
- One-piece construction
- 5 mm pitch
- High current carrying capacity
- Low contact mating force
- Compatible with a large range of connector sealing technologies (single wire sealing, mat-seal)
- Available in brass and copper iron
- Suitable for secondary lock
- Selective gold-plated versions available



### Performance characteristics

- Contact resistance:
  - < 1.5 mΩ for CuFe terminals
  - < 2 mΩ for CuZn terminals
- Contact mating force: < 6 N
- Contact unmating force: < 1.5 N
- Current carrying capacity
  - at 23°C up to approx.:
    - 25 A for CuFe/CuSn terminals
    - 18 A for CuZn/CuSn terminals
  - at 85°C up to approx.:
    - 16 A for CuFe/CuSn terminals
    - 5 A for CuZn/CuSn terminals
  - at 100°C up to approx.:
    - 13 A for CuFe/CuSn terminals
  - at 125°C up to approx.:
    - 6 A for CuFe/CuSn terminals

### Packing

- No. of terminals per reel: Consult us
- No. of reels per packing: Consult us

### Tooling

- Manual crimping tool: Consult us
- Mini applicator: Consult us

Part Numbers	Type	Wire size range (in mm <sup>2</sup> )		Insulation Ø (in mm)	Material	Plating
		Min.	Max.	Max.		
211 CC3S1150	Female	0.35	0.75	1.80	CuZn	Sn
211 CC3S2150	Female	1.00	2.50	2.80	CuZn	Sn
211 CC3S1160	Female	0.35	0.75	1.80	CuFe	Sn
211 CC3S2160	Female	1.00	2.50	2.80	CuFe	Sn
211 CC3S1161 (SWS)	Female	0.35	0.75	1.80	CuFe	Sn
211 CC3S2161 (SWS)	Female	1.00	2.50	2.80	CuFe	Sn
211 CC3S1460	Female	0.35	0.75	1.80	CuFe	Au 1.27 µm
211 CC3S2460	Female	1.00	2.50	2.80	CuFe	Au 1.27 µm
211 CL3S1160	Male	0.35	0.75	1.80	CuSn	Sn
211 CL3S2160	Male	1.00	2.50	2.80	CuSn	Sn
211 CL3S1161 (SWS)	Male	0.35	0.75	1.80	CuSn	Sn
211 CL3S2161 (SWS)	Male	1.00	2.50	2.80	CuSn	Sn
211 CL3S1460	Male	0.35	0.75	1.80	CuFe	Au 1.27 µm
211 CL3S2460	Male	1.00	2.50	2.80	CuFe	Au 1.27 µm

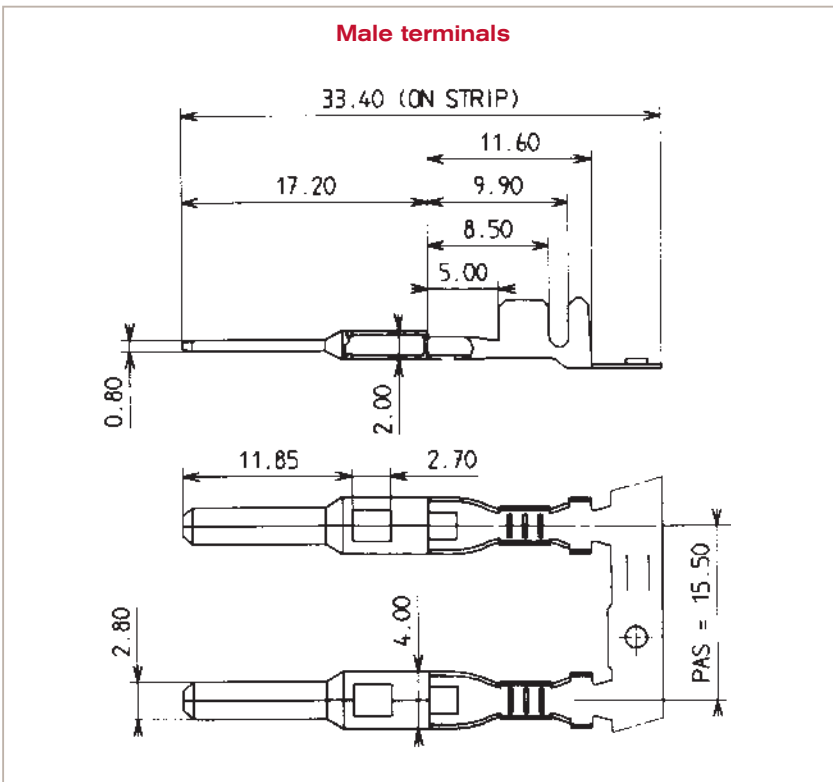
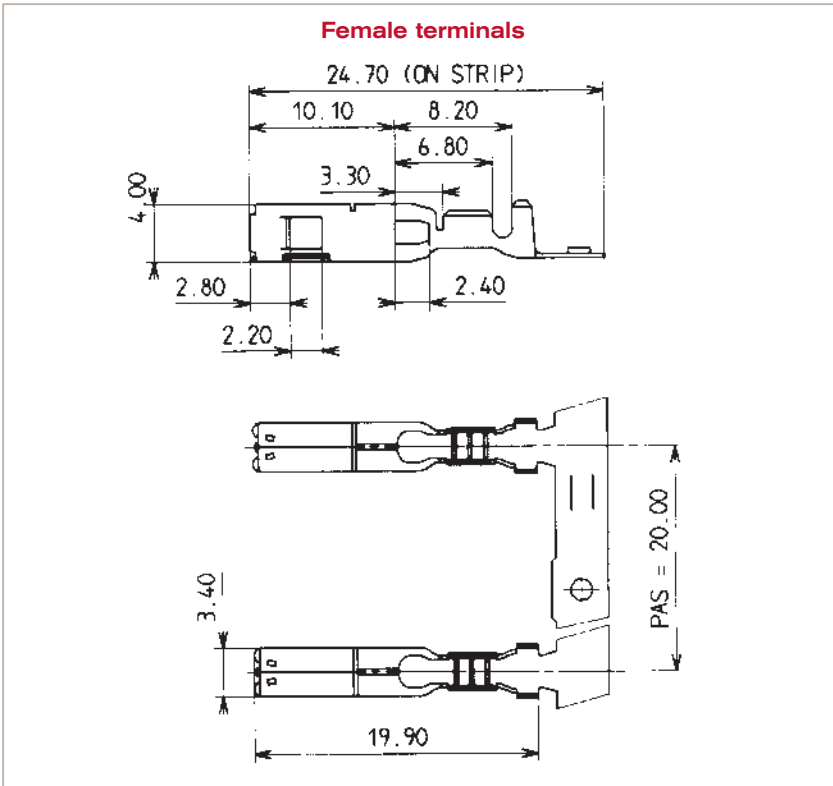
SWS: Single Wire Seal

# Sicma-3

## 2.8 mm female and male terminals

### Dimensional characteristics

Notes :



Blank lined area for notes.

## X-ON Electronics

Largest Supplier of Electrical and Electronic Components

*Click to view similar products for [Automotive Connectors](#) category:*

*Click to view products by [APTIV](#) manufacturer:*

Other Similar products are found below :

[003-018-000](#) [60403001](#) [60993906-B](#) [629515004020001](#) [M902-2131](#) [M902-2161](#) [72.330.1035.1](#) [73.353.4028.0](#) [F119300-B](#) [F166900](#)  
[F258300-B](#) [F358300-B](#) [F407400](#) [F444110](#) [F487000](#) [F509500B-B](#) [827153-1](#) [8N1515-32-24P](#) [9-1326729-8](#) [925474-1](#) [928905-1](#) [964562-4](#)  
[968782-1](#) [GT17SA-8DS-HU](#) [98891-1012](#) [98947-1016](#) [12004475-L](#) [12010290](#) [12010309-B](#) [12015454](#) [12020219-B](#) [12020308](#) [12041318-B](#)  
[12052225-L](#) [12052466](#) [12059125](#) [12064869](#) [12004327-B](#) [12010503-B](#) [12015308](#) [12015384](#) [12015909](#) [1-21030-1](#) [12041254](#) [12041318](#)  
[12047946-B](#) [12047957](#) [12047957-L](#) [12059473](#) [12066261](#)