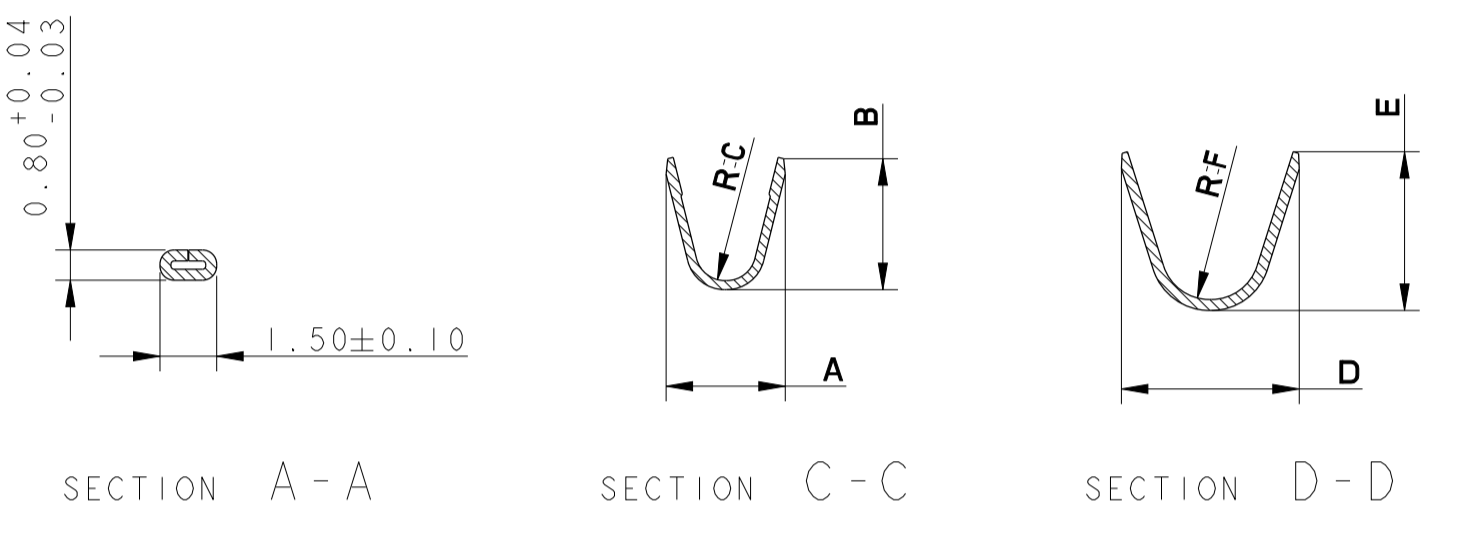
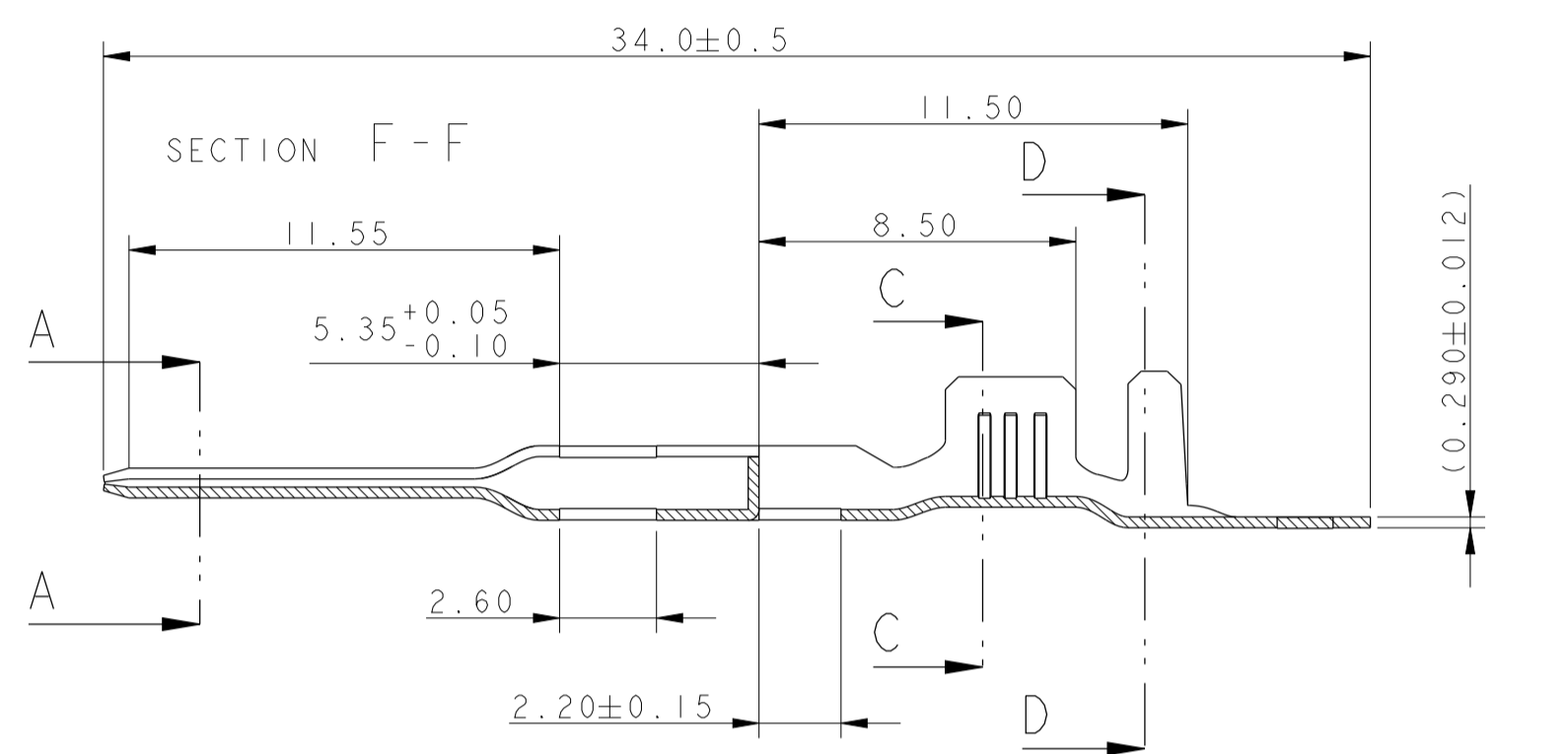
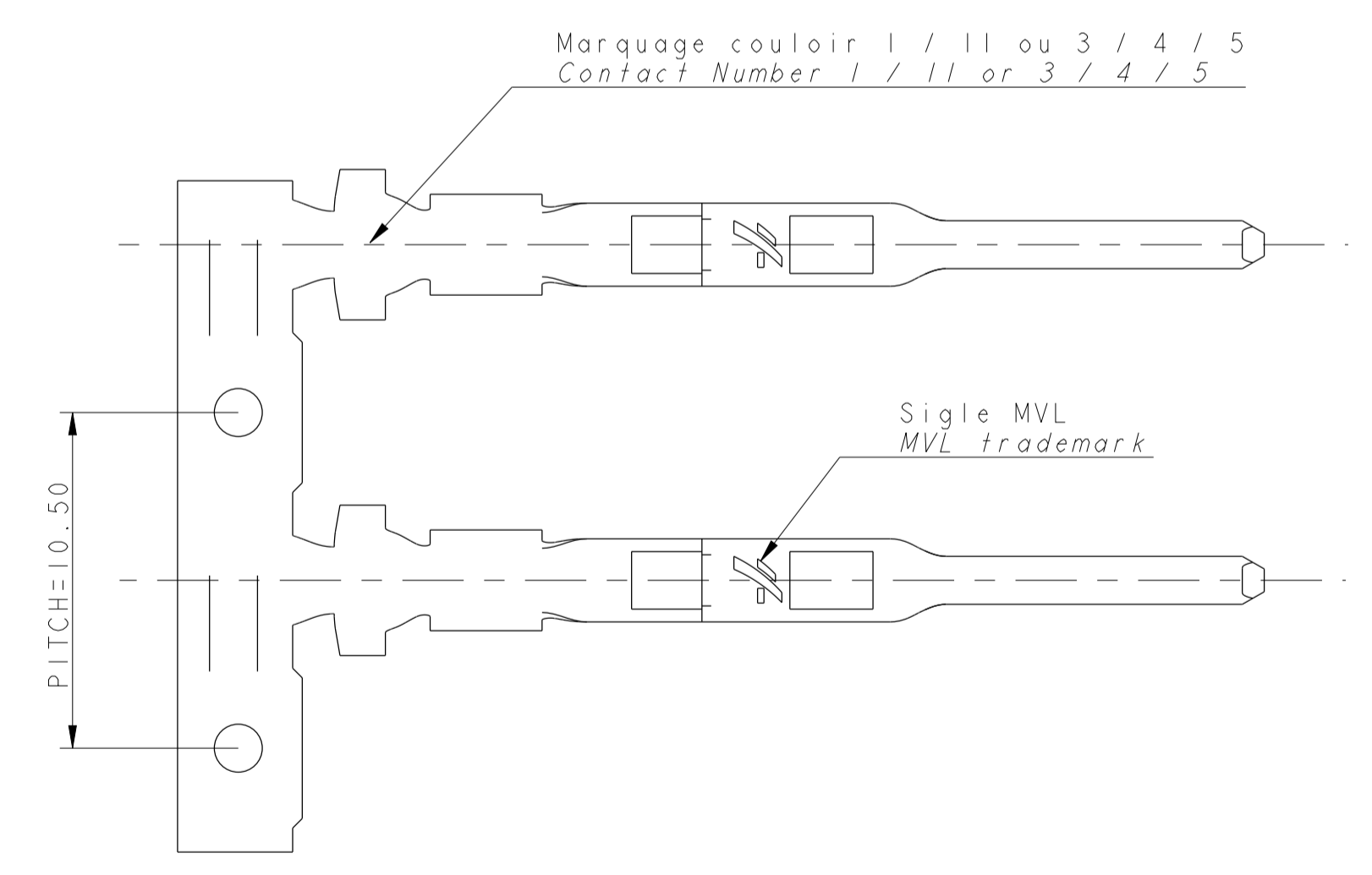
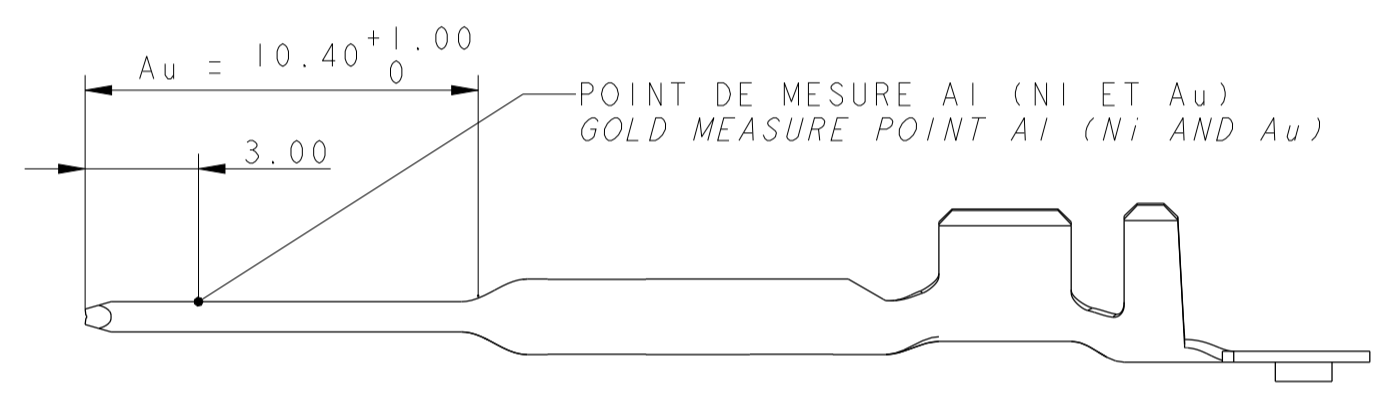
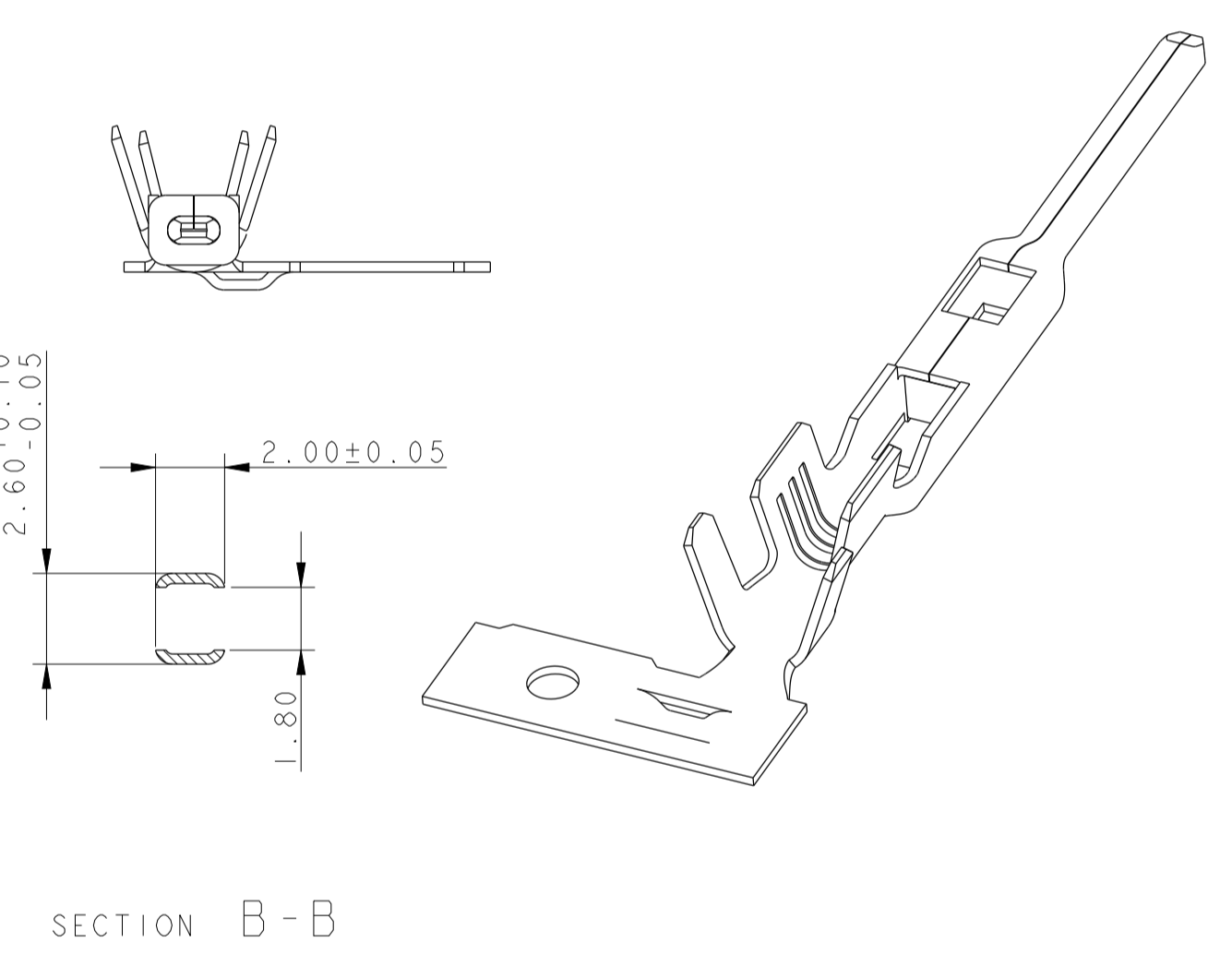
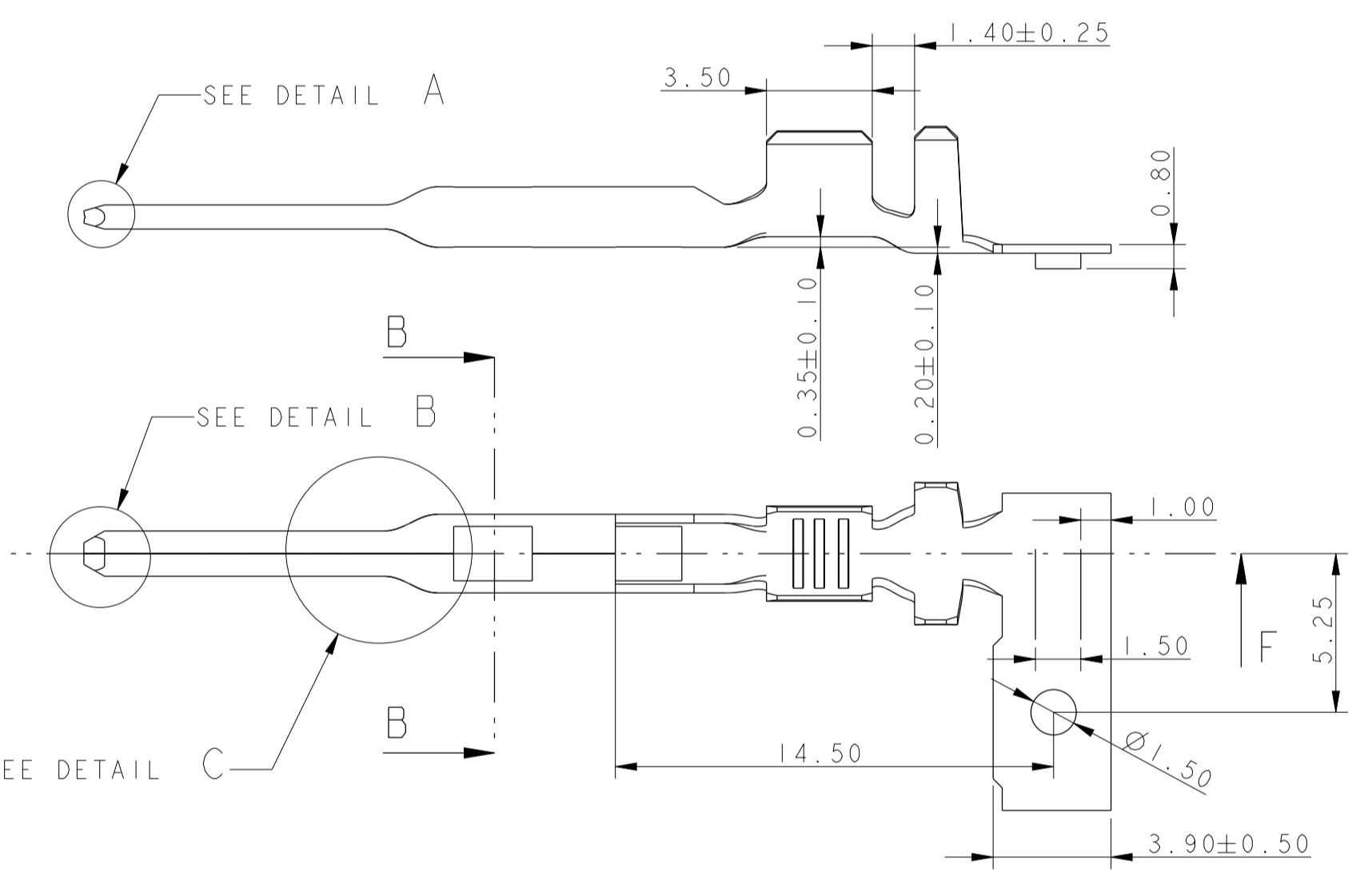


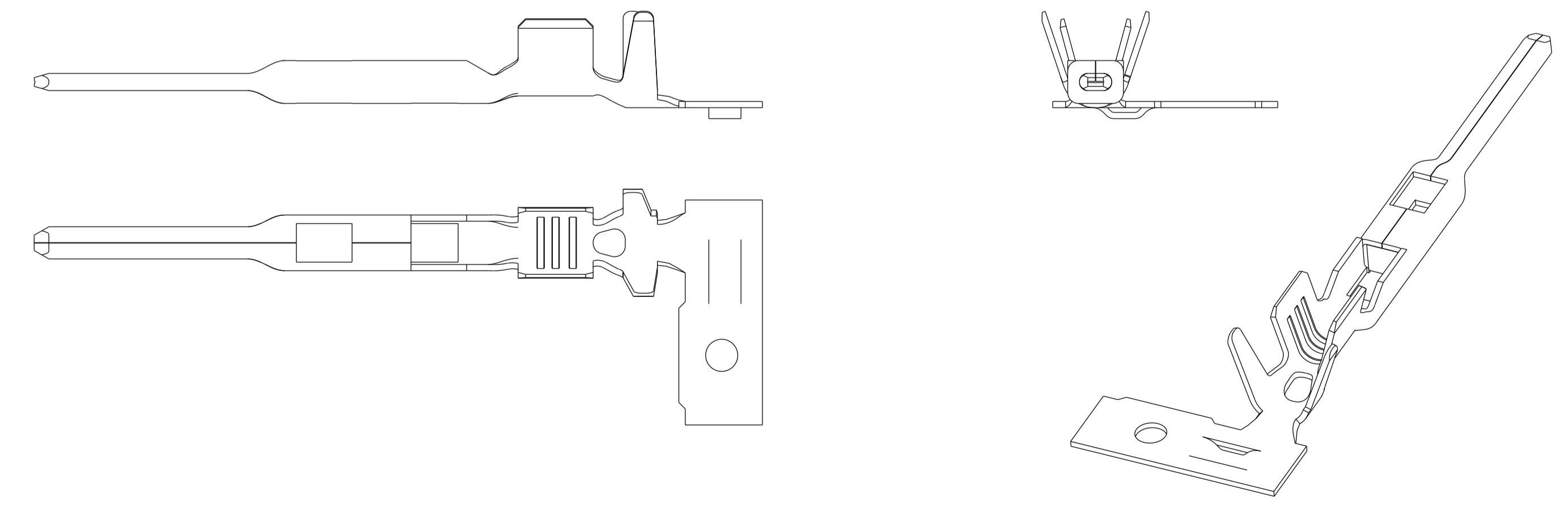
Etat / State	Référence												Material	Classe				
	JUF / SWS						MVL											
Pré-étamé / Pre-tinned Sn 1 to 3µ	MVL	Rev.	DELPHI	Rev.	MVL	Rev.	DELPHI	Rev.	MVL	Rev.	DELPHI	Rev.	MVL	Rev.	DELPHI	Rev.	Cu Sn 0.1	125/155*
Post-doré / Post-gilded 0.2µ int/ext	211 CL 2 S 1160	B	10730997	01	211 CL 2 S 1161	B	10776102	01	211 CL 2 S 2160	B	15368852	02	211 CL 2 S 2161	B	10775251	01	Cu Sn 0.1	125/155*
Post-doré / Post-gilded 1.27µ int/ext	211 CL 2 S 1460	B	10889655	01					211 CL 2 S 2460	B	33501961	01					Cu Sn 0.1	125/155*
Section/Gauge	0.35 to 0.75						1 to 2											
∅ Isolant Insulation	1.3 to 2.1						1.65 to 2.7											
A	2.55						3.15						3.30					
B	2.20						2.25						3.60					
R=C	0.75						0.75											
D ± 0.3	4.20						4.70						5.00					
E	3.40						4.15						4.50					
R=F	1.30						1.30											



PROTECTION OR / GOLD PLATING							Pitch of strip = 10.50 95 terminals per meter			
Reference				Area	Ni		Sn	Thickness Au		
MVL	Rev.	DELPHI	Rev.		B	C		nominal	Min.	
211 CL 2S X 2 60	B	-	-	A	1µ MIN	0.1µ MIN	1 µMIN	0.25µ	0.20µ	
211 CL 2S X 4 60	B	-	-		6 µMAX		1.52µ	1.27µ		

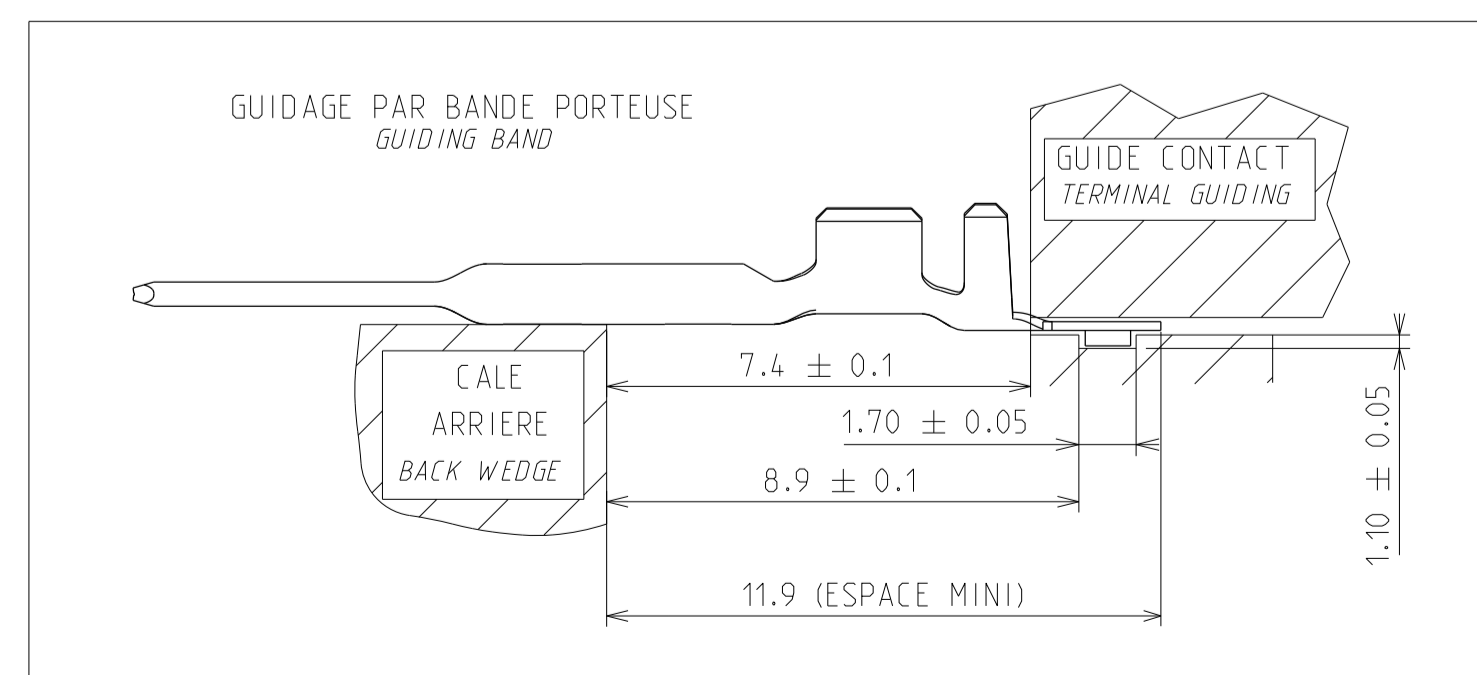
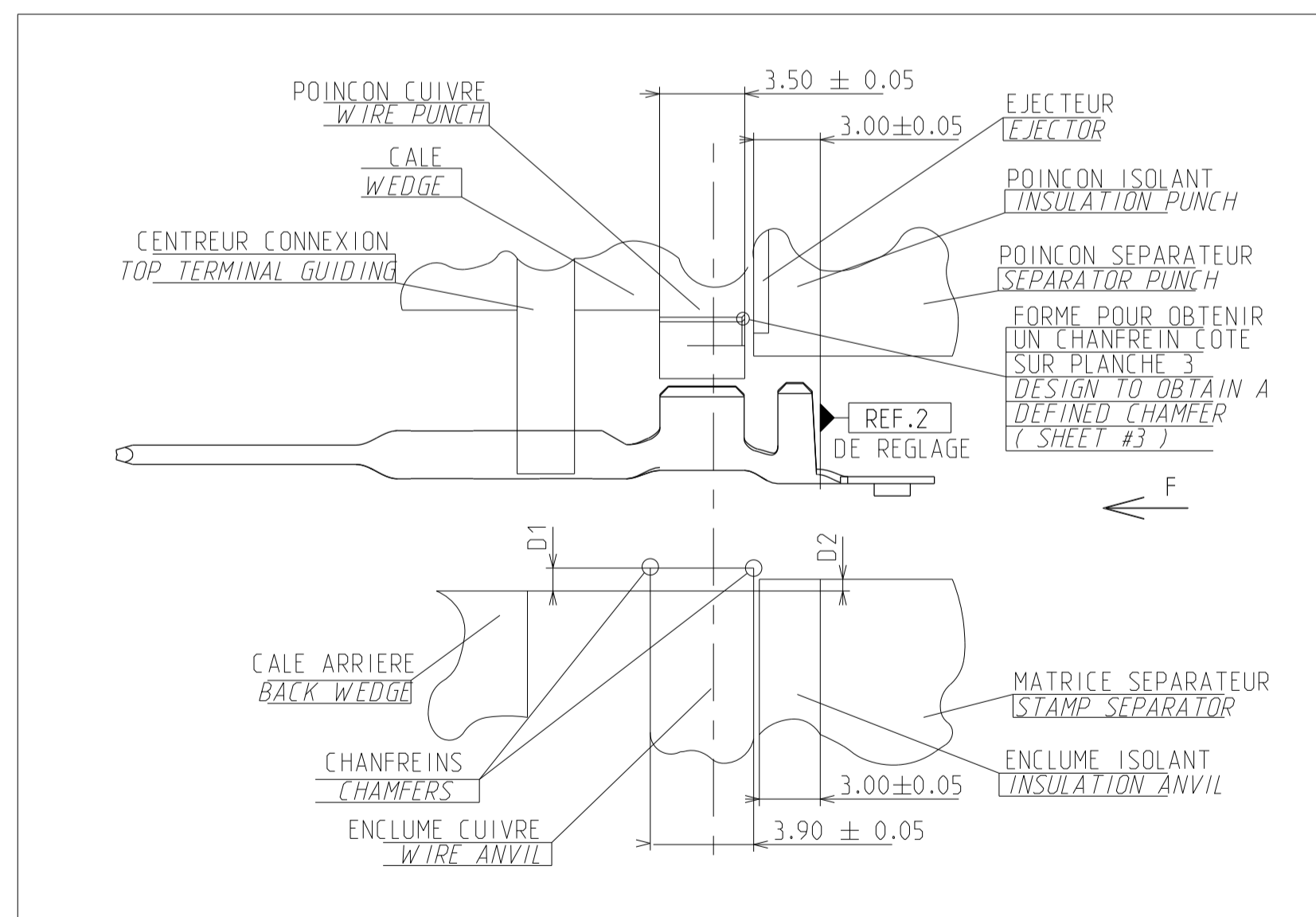
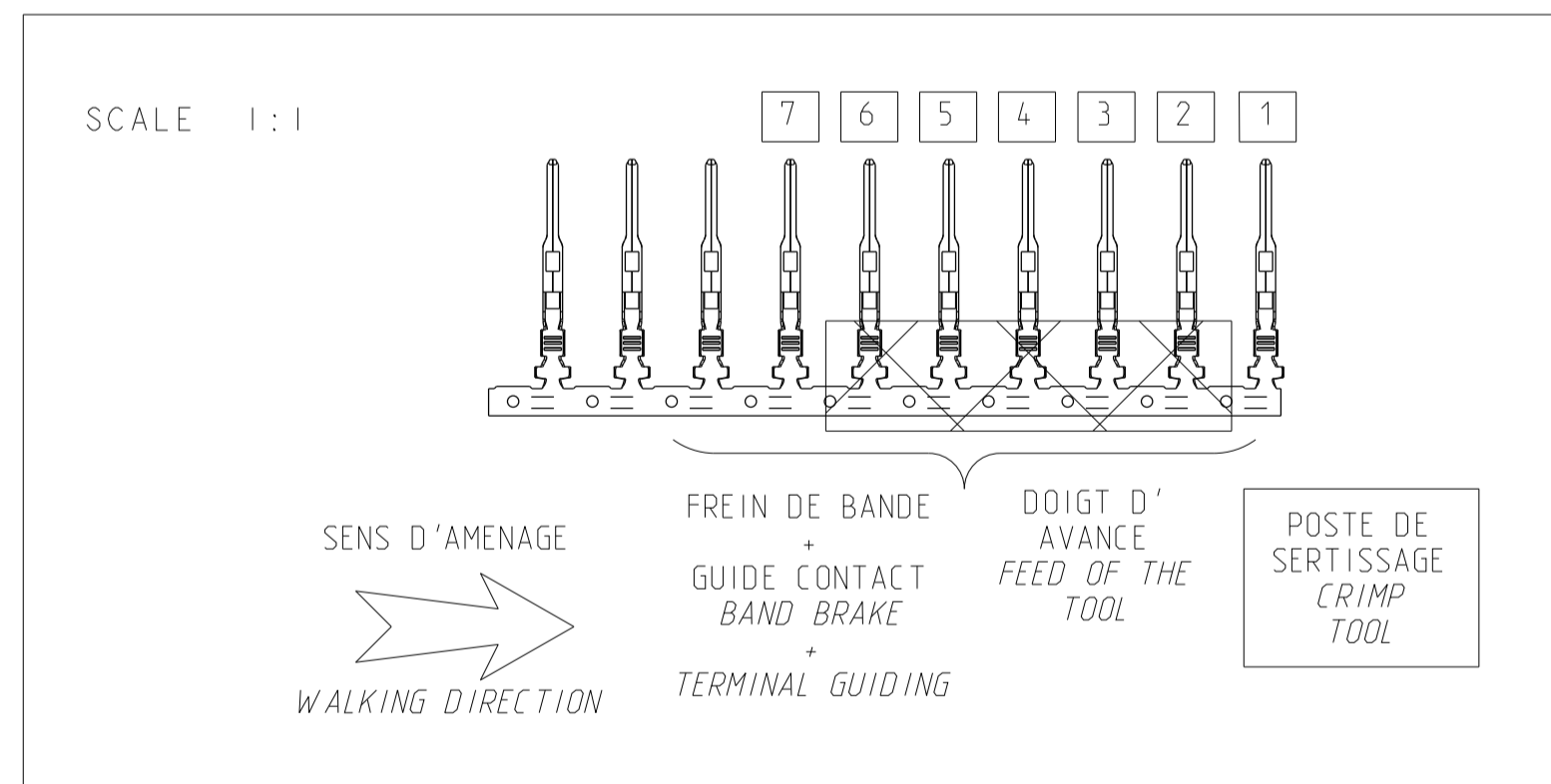
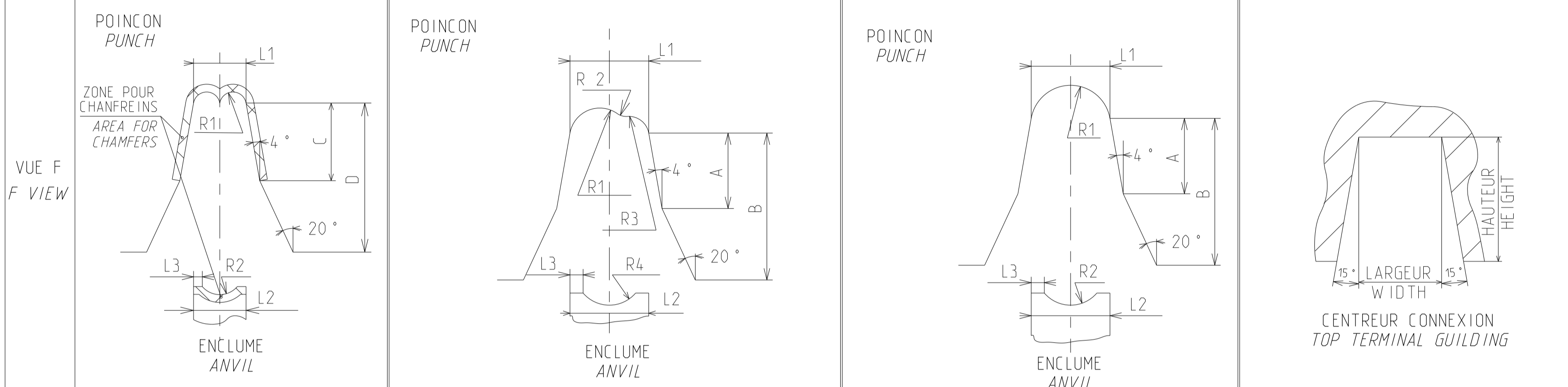


JUF / SWS



ECN-NO. / NUMERO ECH		POSITION / POSITION		CHANGE DESCRIPTION / MODIFICATION		DELPHI P/N ADDED		CAD SYSTEM			
PROJECT SPEC. / SPECIF. PRODUIT				APPLICATION SPEC. / SPECIF. APPLICATION				COPYRIGHT DELPHI CORPORATION AND/OR ITS AFFILIATES. ALL RIGHTS RESERVED. REVISED THIS DRAWING IS THE PROPERTY OF DELPHI CORPORATION AND CONTAINS DELPHI CONFIDENTIAL INFORMATION. THE REPRODUCTION, DISTRIBUTION AND RELEASE OF THIS DOCUMENT BY ITS RECIPIENT OR ANY OTHER, WITHOUT EXPRESS AUTHORIZATION, IS PROHIBITED. LE PLAN EST LA PROPRIETE DE DELPHI CORPORATION ET CONTIEN DES INFORMATIONS CONFIDENTIELLES. LA REPRODUCTION, LA DISTRIBUTION ET LA DIFFUSION DE CE DOCUMENT OU DE SES CONTENU REPRODUCTION, EST PROHIBEE.			
TOLERANCES / TOLERANCES		MATERIAL / MATIERE		STATE OF SURFACE / ETAT DE SURFACE		DELPHI		CAD SYSTEM			
±0.2 ± 2*		SEE TABLE		SEE TABLE		DELPHI ELECTRICAL/ELECTRONIC ARCHITECTURE		DELPHI			
CONTRIBUTOR / CONTRIBUTEUR		COLOR / COULEUR		ECO EXT. / EXT. CODE		DELPHI		DELPHI			
DO NOT MEASURE DRAWING / NE PAS MESURER LE DRESSAGE		TOOL NO. / NO. OUTIL		ECO EXT. / EXT. CODE		DELPHI		DELPHI			
CREATED BY / CREE PAR		NAME / NOM		TITLE / TITRE		DRAWING NUMBER / REF. PLAN		APPROVAL LEVEL / NIVEAU D'APPROBATION			
DATE / DATE		NOV		DESIGNATION / DESIGNATION		211FT0471		REV. / REV.			
PROJECT / PROJET		15 X 08 MALE TERMINAL		STATE / ETAT		SERIAL RELEASED		SHEET / FEUILLE			
APPROVED BY / APPR. PAR		P. PALMIGIANTI		PART NUMBER / REF. ARTICULE		SICMA 3		SCALE / ECHELLE			
FILE NAME / NOM DE FICHER		211FT0471		NO MODIFICATION ALLOWED OUTSIDE / PAS DE MODIFICATION EN DEHORS		See Table		5:1			

CONTACTS FEMALE TERMINAL		GUIDE CONTACTS TERMINAL GUIDING	CUIVRE WIRE									ISOLANT INSULATION																CENTREUR CONNEXION CONNEXION TOP TERMINAL GUIDING					
REFERENCE REFERENCE			X	POINCON PUNCH					ENCLUME ANVIL				FRETAGE PAR RECOUVREMENT INSULATION BARREL WITH OVERLAPPING				FRETAGE AVEC JOINT UNITAIRE SUR FIL INSULATION BARREL WITH SINGLE SEAL				LARGEUR WIDTH	EPAISSEUR THICKNESS	HAUTEUR HEIGHT	COURSE DISPLACEMENT									
MVL	DELPHI			GAMME RANGE	C	D	L1	R1	L2	L3	R2	D1	D2	A	B	L1	R1	R2	R3	L2					L3	R4	D1	D2	A	B	L1	R1	L2
211 CL 2 S 1160	10730997	1	2.90	7.20	2.10	0.57	2.10	0.26	1.26	0.40	-0.10	3.60	8.10	2.50	0.93	0.50	0.65	2.50	0.21	1.50	0.50	-0.40	3.50	7.80	3.55	1.77	3.55	0.24	1.77	2.65 MINI	5	1.50	9
211 CL 2 S 1161	10776102																																
211 CL 2 S 1260	10793528																																
211 CL 2 S 1460	10889655																																
211 CL 2 S 2160	15368852																																
211 CL 2 S 2161	10775251	2	3.80	7.20	2.25	0.61	2.25	0.28	1.35	0.20	-0.30	3.60	8.10	2.50	0.93	0.50	0.65	2.50	0.21	1.50	0.20	-0.60	4.00	8.00	4.10	2.05	4.10	0.27	2.05				
211 CL 2 S 2260	33510918																																
211 CL 2 S 2460	33501961																																



ECN-NO. NUMBER ECN	POSITION POSITION	CHANGE DESCRIPTION MODIFICATION	DELPHI P/N ADDED
PROJECT SPEC. SPECIF. PRODUIT	PACKAGING SPEC. SPECIF. EMBALLAGE	APPLICATION SPEC. SPECIF. APPLICATION	COPYRIGHT DELPHI CORPORATION AND/OR ITS AFFILIATES. ALL RIGHTS RESERVED. REVISED THIS DRAWING IS THE PROPERTY OF DELPHI CORPORATION AND CONTAINS DELPHI CONFIDENTIAL INFORMATION. THE REPRODUCTION, DISTRIBUTION AND RELEASE OF THIS DOCUMENT OR ITS CONTENT OR ANY PART THEREOF, WITHOUT EXPRESS AUTHORIZATION, IS PROHIBITED. LE PLAN EST LA PROPRIETE DE DELPHI CORPORATION ET CONTIENT DES INFORMATIONS CONFIDENTIELLES. LA REPRODUCTION, LA DISTRIBUTION ET LA DIFFUSION DE CE DOCUMENT OU DE SES PARTIES INDIVIDUELLES, SANS QUE LE CONSENTEMENT DE DELPHI CORPORATION AIT ETE OBTENU, SONT INTERDITES.
TOLERANCES TOLERANCES	±0.2 ± 2*	MATERIAL: SEE TABLE	STATE OF SURFACE
CONTRIBUTOR: CONVE. PARTIE #		COLOR: COULEUR	
DO NOT MEASURE DRAWING NE PAS MESURER LE DRESSAGE		TOOL ISO PROJECTION CODE M. C. CODE M. C.	ECO LEX: 664 F E
CREATED BY: COC / PAN	DATE: 2003-07-04	NAME: L DOMERGUE	TITLE: 15 X 08 MALE TERMINAL
MODIFIED BY: MODIF. PAR	DATE: 2010-07-09	NAME: L DOMERGUE	PROJECT: PROJECT
APPROVED BY: APPR. PAR	DATE: 2010-09-04	NAME: P. CAPPE	PROJECT: PROJECT
FILE NAME: 211F0471		ESR NO: FBA-0332	NUMERO ESR: FBA-0332
		NUMERO CAP: 3	NUMERO CAP: 3
		NO MODIFICATION ALLOWED OUTSIDE PAS DE MODIFICATION EN DEHORS	
DRAWING NUMBER REF. PLAN		DRAWING NUMBER REF. PLAN	
211FT0471		211FT0471	
SERIAL RELEASED		SERIAL RELEASED	
See Table		See Table	



## X-ON Electronics

Largest Supplier of Electrical and Electronic Components

*Click to view similar products for [Automotive Connectors](#) category:*

*Click to view products by [APTIV](#) manufacturer:*

Other Similar products are found below :

[003-018-000](#) [60403001](#) [60993906-B](#) [629515004020001](#) [M902-2131](#) [M902-2161](#) [72.330.1035.1](#) [73.353.4028.0](#) [F119300-B](#) [F166900](#)  
[F258300-B](#) [F358300-B](#) [F407400](#) [F444110](#) [F487000](#) [F509500B-B](#) [827153-1](#) [8N1515-32-24P](#) [9-1326729-8](#) [925474-1](#) [928905-1](#) [964562-4](#)  
[968782-1](#) [GT17SA-8DS-HU](#) [98891-1012](#) [98947-1016](#) [12004475-L](#) [12010290](#) [12010309-B](#) [12015454](#) [12020219-B](#) [12020308](#) [12041318-B](#)  
[12052225-L](#) [12052466](#) [12059125](#) [12064869](#) [12004327-B](#) [12010503-B](#) [12015308](#) [12015384](#) [12015909](#) [1-21030-1](#) [12041254](#) [12041318](#)  
[12047946-B](#) [12047957](#) [12047957-L](#) [12059473](#) [12066261](#)