

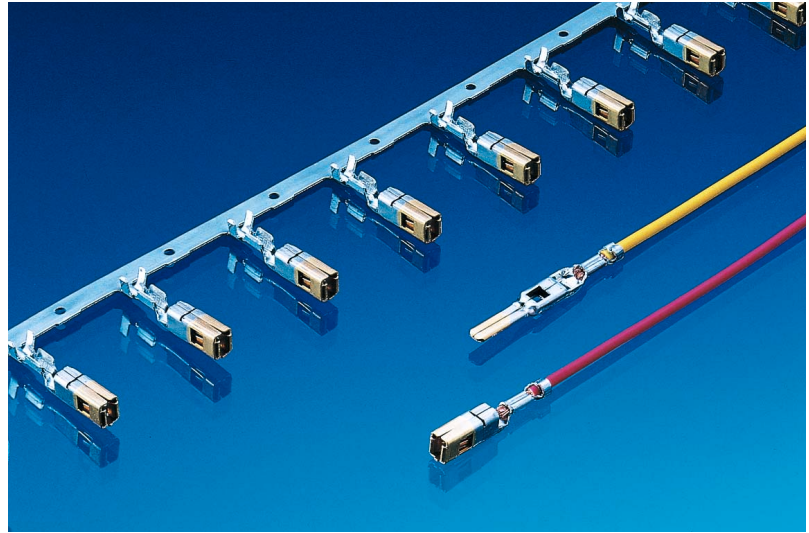
Sicma-2



2.8 mm female and male terminals

Features

- Sicma technology
- One-piece construction
- 4 contact points
- 5 mm pitch
- High current carrying capacity
- Low contact mating force
- Compatible with a large range of connector sealing technologies (single wire sealing, mat-seal)
- Suitable for secondary lock
- Also suitable for 3 mm tabs
- Selective gold-plated versions available



Performance characteristics

- Contact resistance: < 1 mΩ
- Contact mating force: < 7 N
- Contact unmating force: < 5 N
- Current carrying capacity

at 23°C up to approx.:	35 A
at 85°C up to approx.:	23 A
at 100°C up to approx.:	20 A
at 125°C up to approx.:	11 A

Packing

- No. of terminals per reel: Consult us
- No. of reels per packing: Consult us

Tooling

- Manual crimping tool: Consult us
- Mini applicator: Consult us

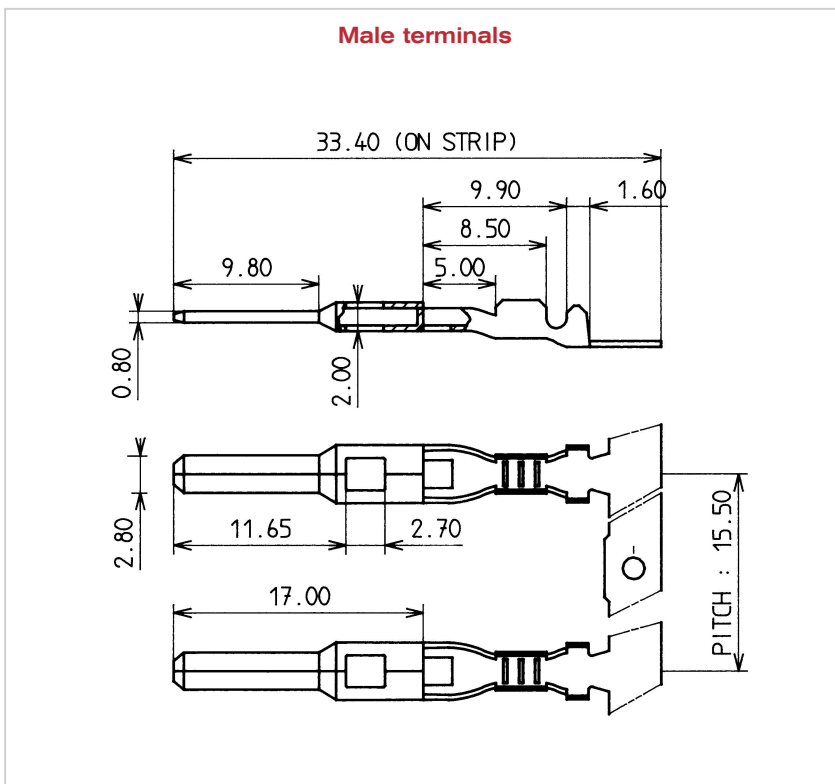
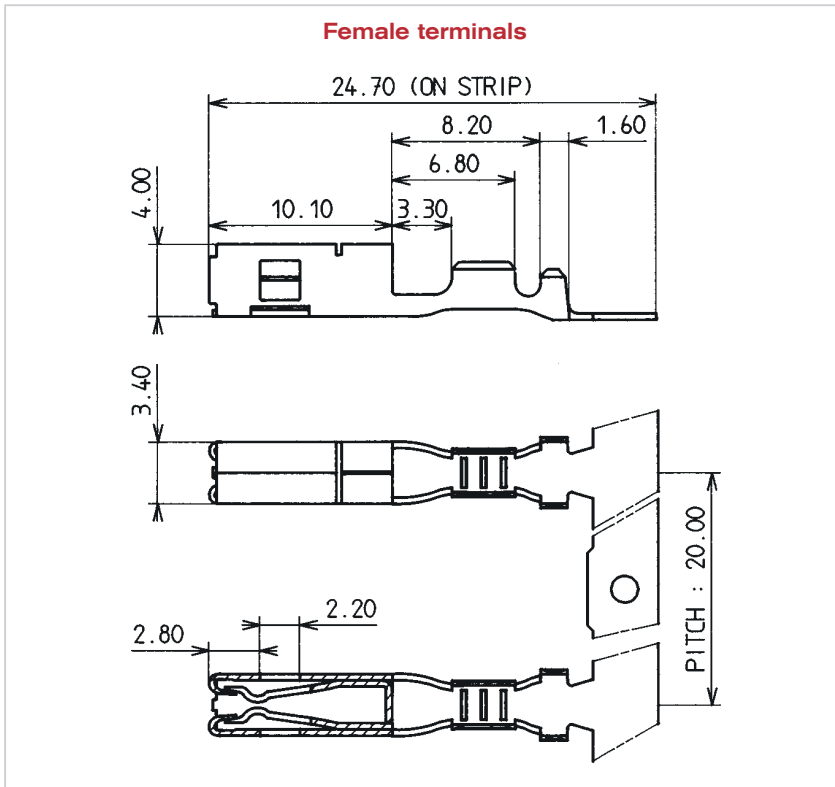
Part Numbers	Type	Wire size range (in mm ²)		Insulation Ø (in mm)	Material	Plating
		Min.	Max.	Max.		
211 CC3S1120	Female	0.35	0.75	2.20	CuMg	Sn
211 CC3S2120	Female	1.00	2.50	3.00	CuMg	Sn
211 CC3S3120	Female	3.00	5.00	3.90	CuMg	Sn
211 CC3S1220	Female	0.35	0.75	2.20	CuMg	Au 1.27 µm
211 CC3S2220	Female	1.00	2.50	3.00	CuMg	Au 1.27 µm
211 CL3S1120	Male	0.35	0.75	2.20	CuSn	Sn
211 CL3S2120	Male	1.00	2.50	3.00	CuSn	Sn
211 CL3S3120	Male	3.00	5.00	3.90	CuSn	Sn
211 CL3S1220	Male	0.35	0.75	2.20	CuSn	Au 1.27 µm
211 CL3S2220	Male	1.00	2.50	3.00	CuSn	Au 1.27 µm

Sicma-2

2.8 mm female and male terminals

Dimensional characteristics

Notes :



X-ON Electronics

Largest Supplier of Electrical and Electronic Components

Click to view similar products for [Automotive Connectors](#) category:

Click to view products by [APTIV](#) manufacturer:

Other Similar products are found below :

[003-018-000](#) [60403001](#) [60993906-B](#) [629515004020001](#) [M902-2131](#) [M902-2161](#) [72.330.1035.1](#) [73.353.4028.0](#) [F119300-B](#) [F166900](#)
[F258300-B](#) [F358300-B](#) [F407400](#) [F444110](#) [F487000](#) [F509500B-B](#) [827153-1](#) [8N1515-32-24P](#) [9-1326729-8](#) [925474-1](#) [928905-1](#) [964562-4](#)
[968782-1](#) [GT17SA-8DS-HU](#) [98891-1012](#) [98947-1016](#) [12004475-L](#) [12010290](#) [12010309-B](#) [12015454](#) [12020219-B](#) [12020308](#) [12041318-B](#)
[12052225-L](#) [12052466](#) [12059125](#) [12064869](#) [12004327-B](#) [12010503-B](#) [12015308](#) [12015384](#) [12015909](#) [1-21030-1](#) [12041254](#) [12041318](#)
[12047946-B](#) [12047957](#) [12047957-L](#) [12059473](#) [12066261](#)