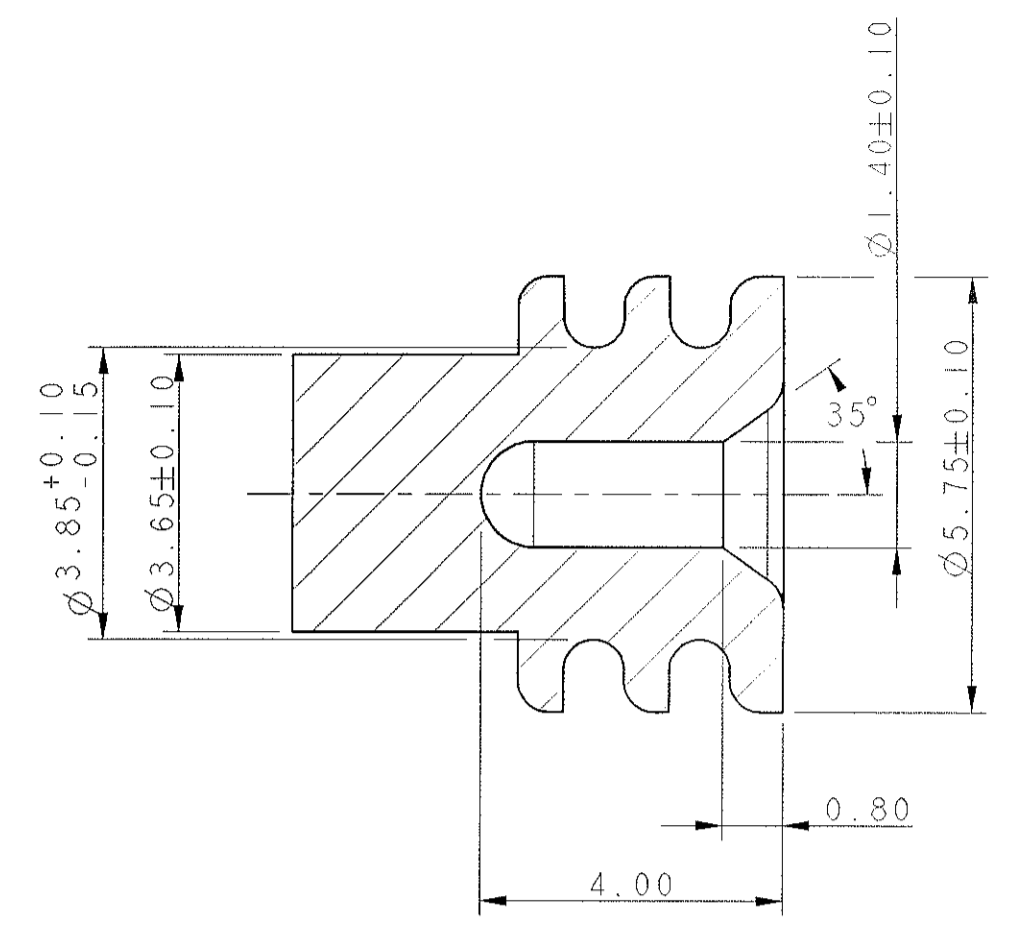
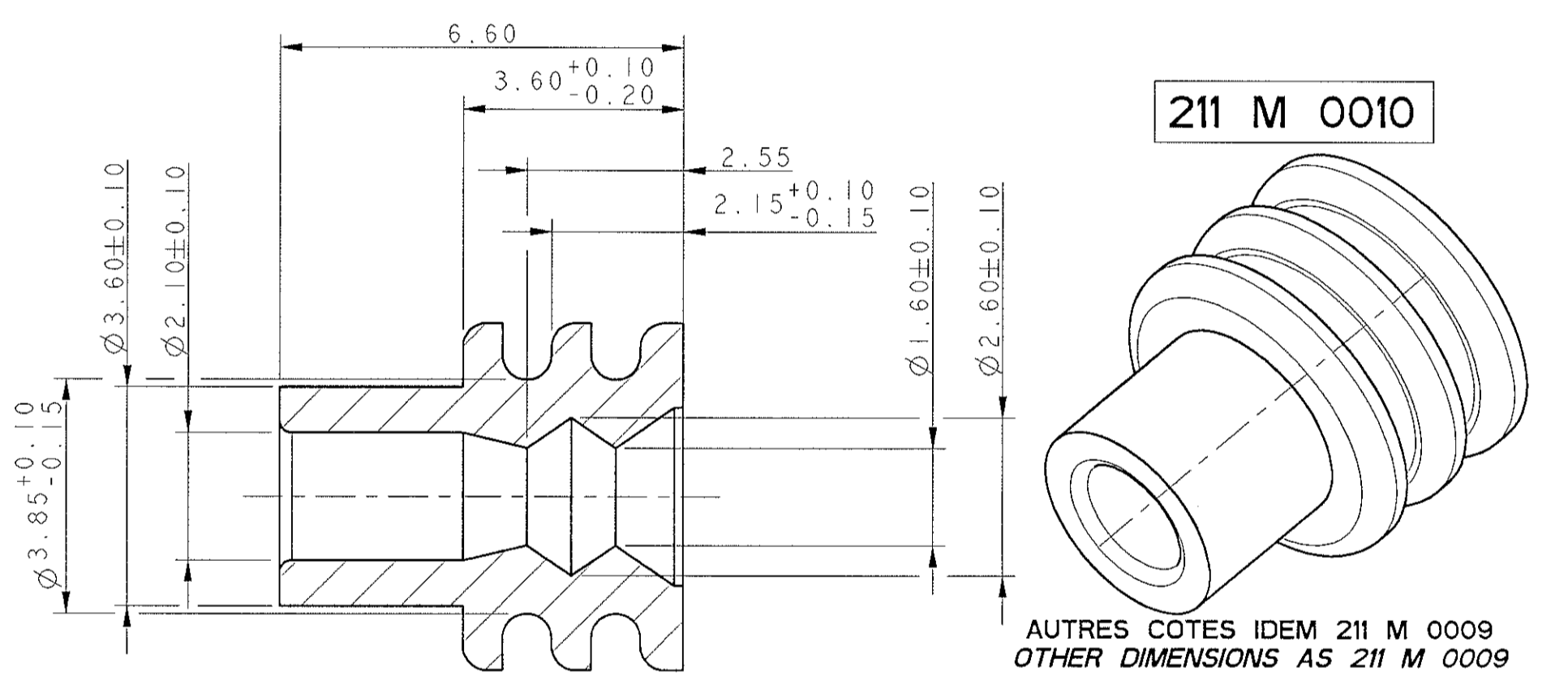


211 M 0009



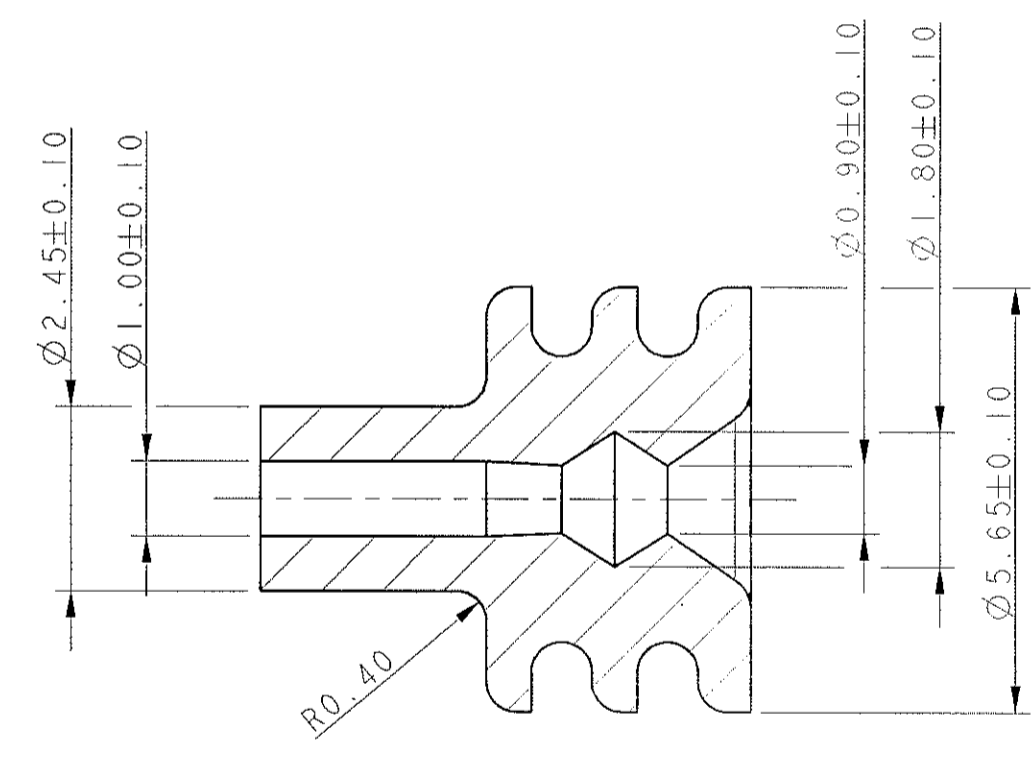
211 M 0013

AUTRES COTES IDEM 211 M 0009
OTHER DIMENSIONS AS 211 M 0009



211 M 0010

AUTRES COTES IDEM 211 M 0009
OTHER DIMENSIONS AS 211 M 0009



211 M 057

AUTRES COTES IDEM 211 M 0009
OTHER DIMENSIONS AS 211 M 0009

| REFERENCE FCI FCI P/N | COULEUR COLOR | SECTION AME WIRE SIZE BORE (mm ²) | DIAMETRE ISOLANT CRIMPING DIAMETER (mm) | |
|--------------------------|------------------|---|---|------|
| | | | MIN | MAX |
| 211 M 057 | NOIR BLACK | 0.35 | 1.25 | 1.40 |
| | | 0.35 | 1.25 | 1.40 |
| | | 0.50 | 1.40 | 1.60 |
| 211 M 0009 | ROUGE RED | 0.60 | 1.76 | 1.90 |
| | | 0.75 | 1.70 | 1.90 |
| | | 1.00 | 1.85 | 2.15 |
| 211 M 0010 | BLEU BLUE | 1.40 | 2.25 | 2.40 |
| | | 1.50 | 2.10 | 2.40 |
| | | 2.00 | 2.35 | 2.80 |
| 211 M 0013 | BLANC WHITE | 2.50 | 2.65 | 3.00 |
| | | BOUCHON CAP | | |

ARCHIVE 14/10/2004

| | | | | | | | |
|---|-------------------------------------|---|---|-------------------------------------|--|-----------------------|------------------------|
| A 04 042 | | 11/10/04 | E02 | ABC 10 SUPPRESSION REF. FOURNISSEUR | | TECHENE | ANONYME |
| E02 | | DM N°04-062 (08/10/04) | | | | | |
| ECH-NO NUMERO ECR | DATE DATE | REV INDICE | POS POSITION | CHANGE DESCRIPTION MODIFICATION | | DRW BY DESISSE PAR | CHEK BY VERIFIE PAR |
| PROJ SPEC SPECIF. PRODUIT | PACKAGING SPEC SPECIF. EMBALLAGE | APPLICATION SPEC SPECIF. APPLICATION | THIS DRAWING AND ALL OTHER INFORMATION CONTAINED HEREIN IS PROPRIETARY AND THE PROPERTY OF FCI. This drawing may not be copied, reproduced or disclosed to any third party without the expressed written permission of FCI. | | CE PLAN ET LES INFORMATIONS CONTENUES DANS CE PLAN SONT PROPRIETAIRES ET LA PROPRIETE DE FCI. Ce plan ne peut être copié, reproduit ou transmis sans l'autorisation expresse et écrite de FCI. | | |
| TOLERANCES TOLERANCES | ±0.2 ±0.2 | MATERIAL MATIERE | SURFACE FINISH ETAT DE SURFACE | | CAD SYSTEM | | |
| COUNTERPART CONTRE-PARTIE N° | | COLOUR COULEUR | SEE TABLE | | ISO PROJECTION PROJECTION ISO | | |
| DO NOT SCALE DRAWING NE PAS PRENDRE DE COTES | | TOOL NO. OUTIL N° | ECO Loc. Code CODE B.E. | | DIMENSION IN MILLIMETERS DIMENSIONS EN MILLIMETRES | | |
| DRW BY DESSE PAR | DATE | NAME NOM | TITLE DESIGNATION | | DRAWING NUMBER REFERENCE PLAN | | |
| CHEK BY VERIFIE PAR | 30/05/94 | BLANC | UNITARY SEAL & CAP TERMINALS SICMA 2.8 RANGE 1 & 2 | | SHEET FEUILLE | | |
| APPR BY APPR PAR | | | PROD. STD NUMERO CAT. | | SCALE ECH. | | |
| | | | | FILE NAME NOM DE FICHIER | | 211FT0051 | |
| | | | | SCALE ECH. | | 10:1 | |

X-ON Electronics

Largest Supplier of Electrical and Electronic Components

Click to view similar products for [Automotive Connectors](#) category:

Click to view products by [APTIV](#) manufacturer:

Other Similar products are found below :

[003-018-000](#) [60403001](#) [60993906-B](#) [629515004020001](#) [M902-2131](#) [M902-2161](#) [72.330.1035.1](#) [73.353.4028.0](#) [F119300-B](#) [F166900](#)
[F258300-B](#) [F358300-B](#) [F407400](#) [F444110](#) [F487000](#) [F509500B-B](#) [827153-1](#) [8N1515-32-24P](#) [9-1326729-8](#) [925474-1](#) [928905-1](#) [964562-4](#)
[968782-1](#) [GT17SA-8DS-HU](#) [98891-1012](#) [98947-1016](#) [12004475-L](#) [12010290](#) [12010309-B](#) [12015454](#) [12020219-B](#) [12020308](#) [12041318-B](#)
[12052225-L](#) [12052466](#) [12059125](#) [12064869](#) [12004327-B](#) [12010503-B](#) [12015308](#) [12015384](#) [12015909](#) [1-21030-1](#) [12041254](#) [12041318](#)
[12047946-B](#) [12047957](#) [12047957-L](#) [12059473](#) [12066261](#)