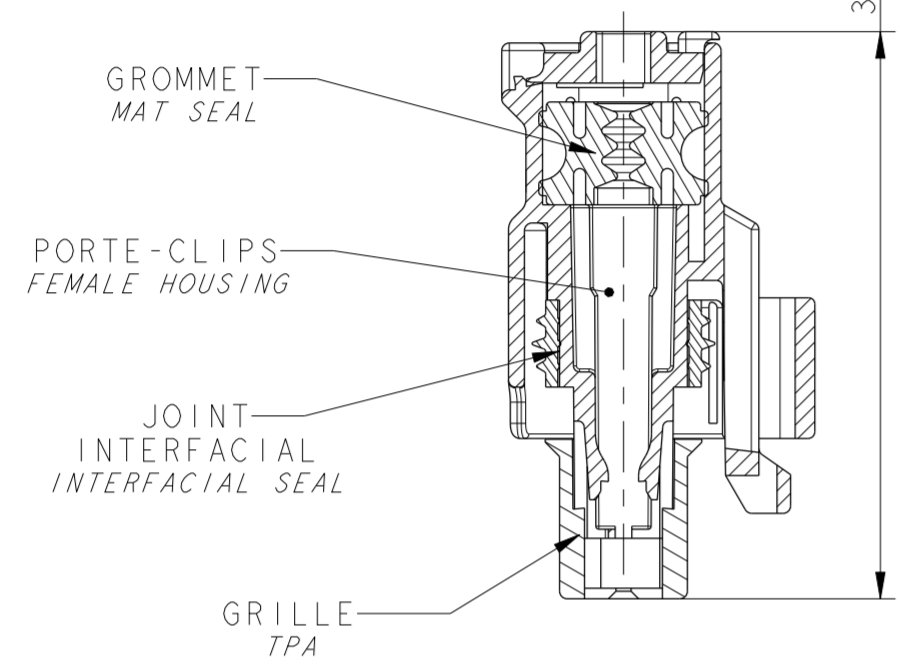


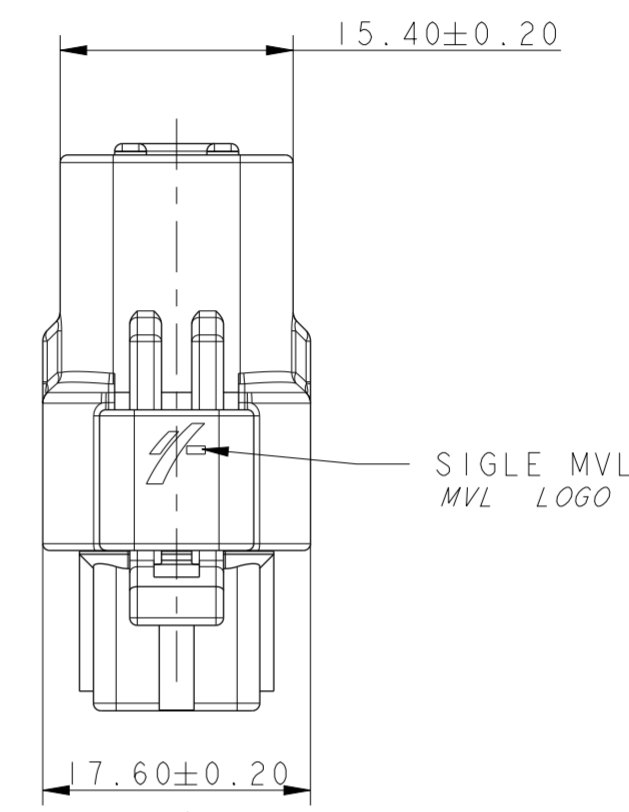
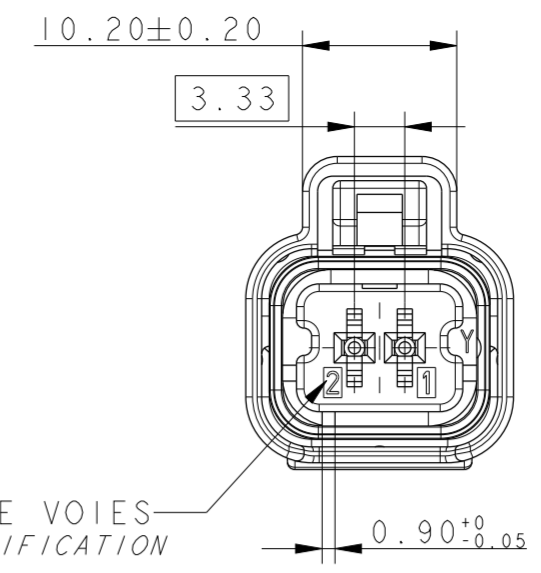
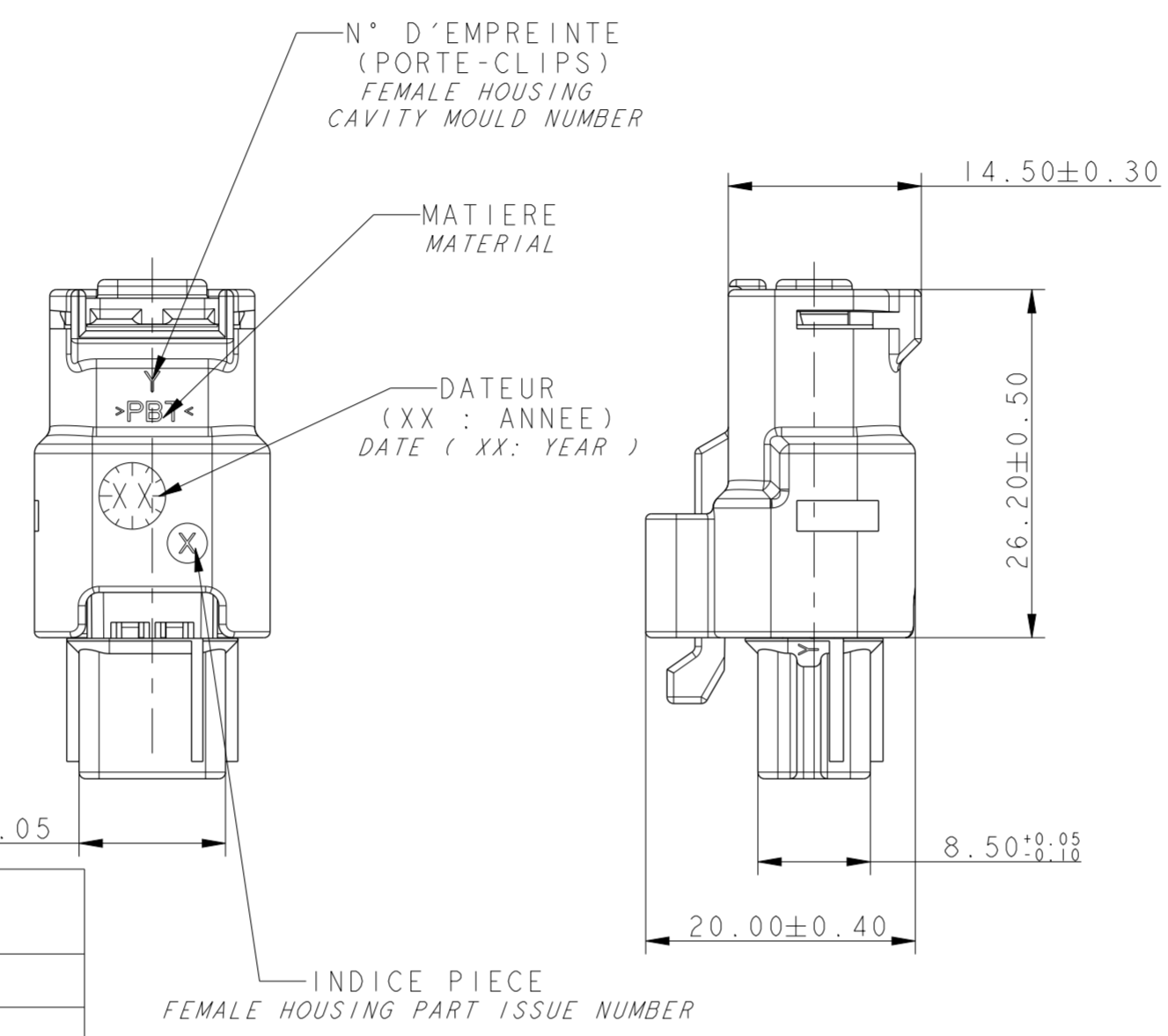
H
G
F
E
D
C
B
A

COUPE A-A
SECTION A-A

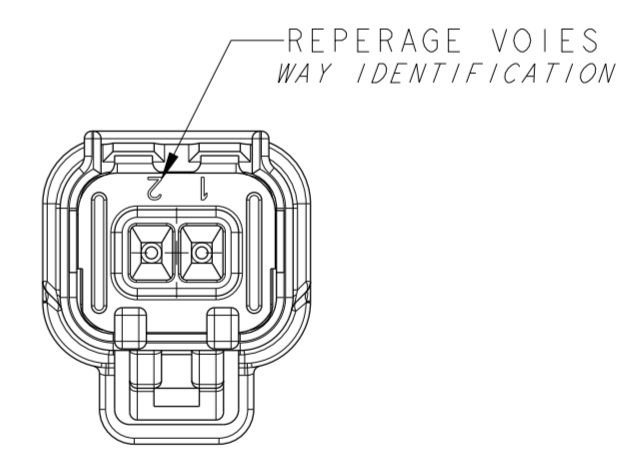


37.55±0.90 POSITION DE LIVRAISON
DELIVERY POSITION
34.25±0.75 POSITION VERROUILLEE
LOCKED TPA

CHARNIERE DE PLAQUETTE ARRIERE ABSENTE OU CASSEE ADMISE
HINGE PLATE REAR NOT allowed or broken
DEFAUTS D'ASPECT SUR ZONES NON FONCTIONNELLES ADMIS
APPEARANCE DEFECTS ON FUNCTIONAL AREAS NOT ALLOWED



SCALE 2:1



NOTA : PRECONISATION D'UTILISATION PU071
NOTE : USER'S MANUAL PU071

PORTE-CLIPS FEMALE HOUSING	211 I 0 057	PBT NON CHARGE PBT: 0% GF	NOIR BLACK
GRILLE TPA	211 M 0 100	PBT: 15% FV PBT: 15% GF	NOIR BLACK
	211 M 1 100		MARRON BROWN
	211 M 2 100		ROUGE RED
	211 M 3 100		ORANGE ORANGE
	211 M 4 100		JAUNE YELLOW
	211 M 5 100		VERT GREEN
	211 M 6 100		BLEU BLUE
	211 M 8 100		GRIS GREY
	211 M 9 100		BLANC WHITE
GROMMET MAT SEAL	211 M 108	SILICONE 30Sh A AUTOLUBRIFIE	VERT GREEN
JOINT INTERFACIAL INTERFACIAL SEAL	211 M 095	SILICONE 50Sh A 4% D'HUILE	VERT GREEN
DESIGNATION DESCRIPTION	REF. MVL MVL'S REFERENCE	MATIERE MATERIAL	COULEUR COLOUR

									VUE F VIEW F Tolérances : ±0.05	
3.85	2.95	0.25	1.55	2.50	1.15					
NOIR /BLACK	MARRON /BROWN	ROUGE /RED	ORANGE /ORANGE	JAUNE /YELLOW	VERT /GREEN	BLEU /BLUE	GRIS /GREY	BLANC /WHITE		COULEUR COLOUR
211 PC 02 2S 0 081	211 PC 02 2S 1 081	211 PC 02 2S 2 081	211 PC 02 2S 3 081	211 PC 02 2S 4 081	211 PC 02 2S 5 081	211 PC 02 2S 6 081	211 PC 02 2S 8 081	211 PC 02 2S 9 081		PART NO.
A	A	A	A	A	A	A	A	A	PART REV.	
10864462	10846693	13792026	10890471	10890081	10890082	10866899	10864463	10890470	PART NO.	
01	01	01	01	01	01	01	01	01	PART REV.	
									DELPHI MVL	

- DELPHI P/N ADDED		CHANGE DESCRIPTION MODIFICATION	
ECN-NO. NUMERO ECN	POSITION POSITION	DELPHI CORPORATION AND/OR ITS AFFILIATES. ALL RIGHTS RESERVED. REVISED THIS DRAWING IS THE PROPERTY OF DELPHI CORPORATION AND CONTAINS DELPHI CONFIDENTIAL INFORMATION. THE REPRODUCTION, DISTRIBUTION AND UTILIZATION OF THIS DOCUMENT OR ITS RELATED CAD DATA, AS WELL AS COMMUNICATION OF ANY CONTENT TO OTHERS, WITHOUT EXPRESS AUTHORIZATION, IS PROHIBITED.	
PRODUCT SPEC. SPECIF. PRODUIT	PACKAGING SPEC. SPECIF. EMBALLAGE	APPLICATION SPEC. SPECIF. APPLICATION	COPYRIGHT
TOLERANCES TOLERANCES	±0.1 ±2*	MATERIAL : MATIERE :	SEE TABLE
COUNTERPART N° CONTRE-PARTIE N°	COULEUR : COULEUR :	TOOL NO. OUTIL N°	SEE TABLE
DO NOT MEASURE DRAWING NE PAS PRENDRE DE COTES	DATE	NAME NOM	TITLE DESIGNATION
CREATED BY CREE PAR	2000-02-24	LE CLERE	2-WAY 15X08 FEMALE CONNECTOR
MODIFIED BY MODIF. PAR	2013/03/21	F FAURIE	PROJECT PROJET
CHECKED BY VERIF. PAR	2013/03/22	S LACOTE	MINI SEALED "NG" COMPLETE SHROUD
APPROVED BY APPR. PAR	2013/03/22	Pascal MENARD	ESR NO. NUMERO ESR
FILE NAME NOM DE FICHER	211FT0360		FRA-0920
			DOCUMENT UNDER PDS CONTROL DOCUMENT GERE SOUS P.D.S. NO MODIFICATION ALLOWED OUTSIDE IPAS DE MODIFICATION EN DEHORS
DRAWING NUMBER REF. PLAN		REV. IND.	
211FT0360		C	
STATE ETAT		PART NUMBER REF. ARTICLE	
SERIAL RELEASED		See Table	
APPROVAL LEVEL NIV. D'APPROBATION		SHEET FEUILLE	
A2		1 of 1 sur 1	
SCALE ECH.		1:1	

EUR C04 112 F29 PDS

X-ON Electronics

Largest Supplier of Electrical and Electronic Components

Click to view similar products for [Automotive Connectors](#) category:

Click to view products by [APTIV](#) manufacturer:

Other Similar products are found below :

[003-018-000](#) [60403001](#) [60993906-B](#) [629515004020001](#) [M902-2131](#) [M902-2161](#) [72.330.1035.1](#) [73.353.4028.0](#) [F119300-B](#) [F166900](#)
[F258300-B](#) [F358300-B](#) [F407400](#) [F444110](#) [F487000](#) [F509500B-B](#) [827153-1](#) [8N1515-32-24P](#) [9-1326729-8](#) [925474-1](#) [928905-1](#) [964562-4](#)
[968782-1](#) [GT17SA-8DS-HU](#) [98891-1012](#) [98947-1016](#) [12004475-L](#) [12010290](#) [12010309-B](#) [12015454](#) [12020219-B](#) [12020308](#) [12041318-B](#)
[12052225-L](#) [12052466](#) [12059125](#) [12064869](#) [12004327-B](#) [12010503-B](#) [12015308](#) [12015384](#) [12015909](#) [1-21030-1](#) [12041254](#) [12041318](#)
[12047946-B](#) [12047957](#) [12047957-L](#) [12059473](#) [12066261](#)