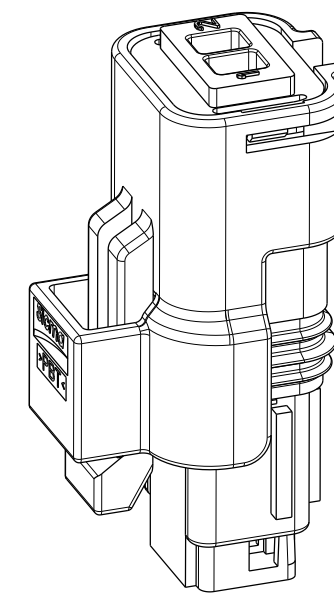


CONNECTEUR CONFORME A LA SPECIFICATION PRODUIT FE PS 04 032 REV 01
CONDITIONNEMENT SUIVANT NORME E 73.03.150.G
MASSE DU PRODUIT LIVRABLE=5g (ISOLANT + GRILLE + GROMMET + JOINT)
DIAMETRE DE FILS: MINI 1.40
MAXI 2.80

CONNECTOR IN ACCORDANCE WITH THE PRODUCT SPECIFICATION FE PS 04 032 REV 01
PACKAGING FOLLOWING STANDARD 73.03.150.G
MASS OF AVAILABLE PRODUCT = 5g (HOUSING + TPA +MATE SEAL + INTERFACIAL SEAL)
DIAMETER OF WIRES : MINI 1.40
MAXI 2.80

- △ - CHARNIERE DE PLAQUETTE ARRIERE ABSENTE OU CASSE ADMISE
- PARTICULES DE SILICONE DANS LE GROMMET, BOUCHANT PARTIELLEMENT UN ORIFICE, ADMISE
- HINGE REAR PLATE ABSENT OR BROKEN ACCEPTED
- SILICONE PARTICLES IN THE GROMMET, PARTIALLY PLUGGING A HOLE, ADMITTED



NOTE 1: WITH GREEN GROMMET AND BLUE SEAL

NOTA 2 : PRECONISATION D'UTILISATION PU001

NOTE 2 : USER'S MANUAL PU001

BOUCHON	210 A 01 5 019	PBT NON CHANGE	VERT
PORTE-CLIPS	211 I 1 036	PBT NON CHANGE	MARRON
	211 I 2 036		ROUGE
	211 I 3 036		ORANGE
	211 I 5 036		VERT
	211 I 4 036		JAUNE
	211 I 8 036		GRIS
	211 I 6 036		BLEU
	211 I 9 036		BLANC
211 I 0 036	NOIR		
GRILLE	211 M 4 020	PBT 15% FV	JAUNE
GROMMET	211 M 108	SILICON AUTOLUBRIFIE	VERT
JOINT INTERFACIAL	211 M 075	SILICON 4% D' HUILE	BLEU
DESIGNATION	REF. MVL	MATIERE	COULEUR

									VUE F ±0.05
3.85	2.50	1.15	0.25	1.55	2.95	0.90PM 11.00PM	0.90PM 11.00PM		
NOIR	BLEU	GRIS	JAUNE	VERT	MARRON	BLANC	ROUGE	ORANGE	COULEUR
211 PC 02 2 S 0 049	211 PC 02 2 S 6 049	211 PC 02 2 S 8 049	211 PC 02 2 S 4 049	211 PC 02 2 S 5 049	211 PC 02 2 S 1 049	211 PC 02 2 S 9 049	211 PC 02 2 S 2 049	211 PC 02 2 S 3 049	PART NO.
D	D	D	D	D	D	D	D	D	PART REV.
10768566	10768705	10768564	10787552	10779506	10768565	10787349	10787260	10787350	PART NO.
03 (G)	03 (G)	03 (G)	03 (G)	03 (G)	03 (G)	03 (G)	03 (G)	03 (G)	PART REV.

CONNECTIQUE SICMA

ECN-NO. NUMERO ECN	POSITION POSITION	CHANGE DESCRIPTION MODIFICATION
DELPHI P/N ADDED PART REVISION FOR P/N DELPHI CHANGED		
PRODUCT SPEC. SPECIF. PRODUIT	PACKAGING SPEC. SPECIF. EMBALLAGE	APPLICATION SPEC. SPECIF. APPLICATION
COPYRIGHT DELPHI CORPORATION AND/OR ITS AFFILIATES. ALL RIGHTS RESERVED. REVISED THIS DRAWING IS THE PROPERTY OF DELPHI CORPORATION AND CONTAINS DELPHI CONFIDENTIAL INFORMATION. THE REPRODUCTION, DISTRIBUTION AND UTILIZATION OF THIS DOCUMENT OR ITS RELATED CAD DATA, AS WELL AS COMMUNICATION OF ANY CONTENT TO OTHERS, WITHOUT EXPRESS AUTHORIZATION, IS PROHIBITED.		
TOLERANCES TOLERANCES	±0.1; ±2°	MATERIAL : MATIERE : SEE TABLE
COUNTERPART No. CONTRE-PARTIE N°	TOOL NO. OUTIL N°	SURFACE FINISH ETAT DE SURFACE
DO NOT MEASURE DRAWING NE PAS PRENDRE DE COTES	ECO Loc. Code CODE B.E.	FE
CREATED BY CREE PAR	DATE DATE	NAME NOM
MODIFIED BY MODIF. PAR	DATE DATE	NAME NOM
CHECKED BY VERIF. PAR	DATE DATE	NAME NOM
APPROVED BY APPR. PAR	DATE DATE	NAME NOM
FILE NAME NOM DE FICHIER	211FT0443	
SEE NOTE		
2 WAYS FEMALE CONNECTOR		
DRAWING NUMBER REF. PLAN	211FT0443	REV. IND. G
STATE ETAT	SERIAL RELEASED	
PART NUMBER REF. ARTICLE	See Table	
DELPHI CAD SYSTEM DELPHI PACKARD ELECTRICAL/ELECTRONIC ARCHITECTURE EPERNON, FRANCE		
DIMENSION IN MILLIMETERS DIMENSIONS EN MILLIMETRES		
DRAWING NUMBER REF. PLAN		
REV. IND. G		
SHEET FEUILLE		
of 1 sur 1		
SCALE ECH. 2:1		

X-ON Electronics

Largest Supplier of Electrical and Electronic Components

Click to view similar products for [Automotive Connectors](#) category:

Click to view products by [APTIV](#) manufacturer:

Other Similar products are found below :

[003-018-000](#) [60403001](#) [60993906-B](#) [629515004020001](#) [M902-2131](#) [M902-2161](#) [72.330.1035.1](#) [73.353.4028.0](#) [F119300-B](#) [F166900](#)
[F258300-B](#) [F358300-B](#) [F407400](#) [F444110](#) [F487000](#) [F509500B-B](#) [827153-1](#) [8N1515-32-24P](#) [9-1326729-8](#) [925474-1](#) [928905-1](#) [964562-4](#)
[968782-1](#) [GT17SA-8DS-HU](#) [98891-1012](#) [98947-1016](#) [12004475-L](#) [12010290](#) [12010309-B](#) [12015454](#) [12020219-B](#) [12020308](#) [12041318-B](#)
[12052225-L](#) [12052466](#) [12059125](#) [12064869](#) [12004327-B](#) [12010503-B](#) [12015308](#) [12015384](#) [12015909](#) [1-21030-1](#) [12041254](#) [12041318](#)
[12047946-B](#) [12047957](#) [12047957-L](#) [12059473](#) [12066261](#)