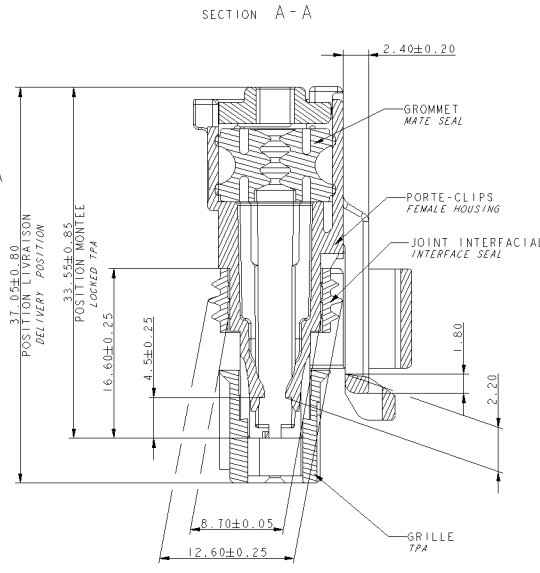
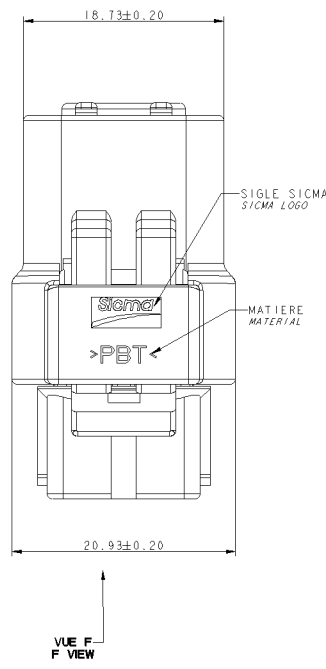
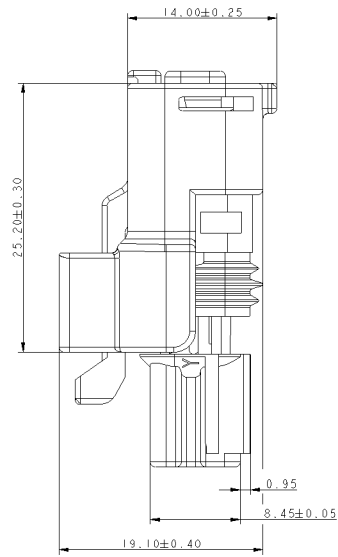
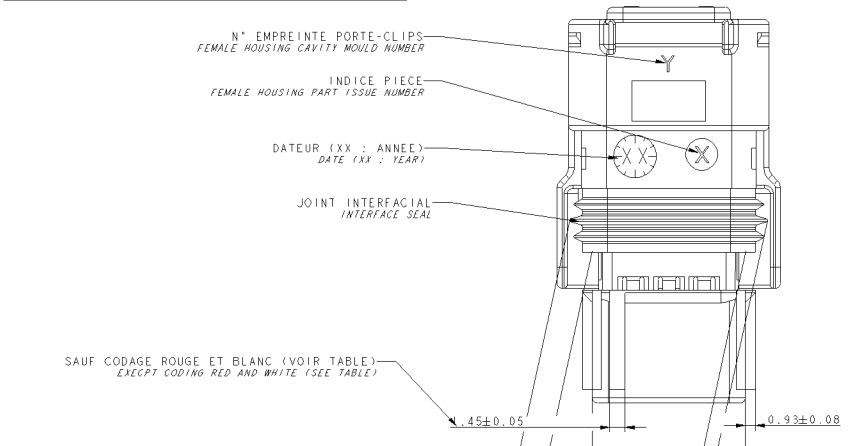
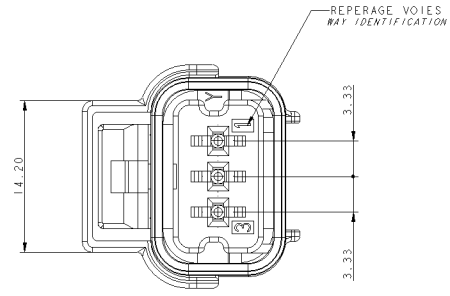


NOTA

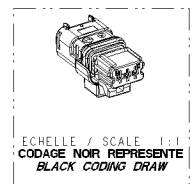
SPECIFICATIONS

- CONNECTEUR DOIT ETRE CONFORME AU CDC :96 238 404 99
FEMALE CONNECTOR ACCORDING TO SPECIFICATION PSA :96 238 404 99
- CONNECTEUR SUIVANT :
FEMALE CONNECTION ACCORDING TO
-CLASSE DE TEMPERATURE T3 SELON B217050 REV A
TEMPERATURE CLASS T3 ACCORDING TO B217050 REV A
-CLASSE DE VIBRATION MOTEUR SELON B217050 REV A
ENGINE VIBRATOR CLASS ACCORDING TO B217050 REV A
-CLASSE ETANCHEITE 2 SELON B217050 REV A
SEALING CLASS 2 ACCORDING TO B217050 REV A
- PRECONISATION D'UTILISATION / USER MANUAL
REF FCI : PU 071 / FCI'S REFERENCE : PU 071
REF PSA:96 556 834 98 / PSA'S REFERENCE :96 556 834 99
- ALVEOLE SUIVANT STE: 96 288 230 99
CAVITY ACCORDING TO: STE: 96 288 230 99
- CONNECTEUR ET POSITION ALVEOLE CONFORMES
AU PLAN D'INTERFACE 211FT0523 ET STE 96 339 622 99
FEMALE CONNECTOR AND CAVITY'S POSITION ACCORDING TO:
DRAWING INTERFACE 211FT0523 ET STE 96 339 622 99
- CONDUCTEUR SUIVANT STE :96 418 794 99
WIRE ACCORDING TO: STE :96 418 794 99
- CONDITIONNEMENT SUIVANT NORME: E73 03 150G
PACKAGING ACCORDING TO STANDARD: E73 03 150G
- DIAMETRE DE L'ISOLANT DES FILS
WIRE INSULATION DIAMETER
:MINI=1,40
:MAXI=2,80
- MASSE DU PRODUIT LIVRABLE : 8g
DELIVERY CONNECTOR WEIGHT : 8g
- CHARNIERE DE PLAQUETTE ARRIERE ABSENTE OU
CASSEE ADMISE
NO WAFER HINGE OR WAFER HINGE BROKEN ALLOWED
- DEFAUTS D'ASPECT SUR ZONES NON FONCTIONNELLES ADMIS
VISUAL DEFECTS ON NO FUNCTIONNAL AREAS ALLOWED



PORTE-CLIPS FEMALE HOUSING	211 1 0 074	PBT NON CHARGE PBT: 0% GF	NOIR BLACK
GRILLE TPA	211 M 0 101	PBT: 15% FY PBT: 15% GF	NOIR BLACK
	211 M 1 101		MARRON BROWN
	211 M 2 101		ROUGE RED
	211 M 4 101		JAUNE YELLOW
	211 M 5 101		VERT GREEN
	211 M 6 101		BLEU BLUE
	211 M 8 101		GRIS GREY
	211 M 9 101		BLANC WHITE
	GROMMET MATE SEAL		211 M 109
JOINT INTERFACIAL INTERFACE SEAL	211 M 076	SILICONE 30SH 4% D'HUILE	BLEU BLUE
DESIGNATION DESCRIPTION	REF. MVL MVL'S REFERENCE	MATIERE MATERIAL	COULEUR COLOUR

								VUE F VIEW F	Tolérances : ±0.05
5.55	13.95	14.33	0.15	2.05	3.65	1.75	14.33		
NOIR/BLACK	MARRON/BROWN	ROUGE/RED	JAUNE/YELLOW	VERT/GREEN	BLEU/BLUE	GRIS/GREY	BLANC/WHITE	COULEUR/COLOUR	
211 PC 03 25 0 149	211 PC 03 25 1 149	211 PC 03 25 2 149	211 PC 03 25 4 149	211 PC 03 25 5 149	211 PC 03 25 6 149	211 PC 03 25 8 149	211 PC 03 25 9 149	PART NUMBER	T.M
A	A	A	A	A	A	A	A	PART REVISION	
10820167	10820168	10820169	10820170	10820171	10820172	10820173	10820174	PART NUMBER	
01	01	01	01	01	01	01	01	PART REVISION	DELPHI



DELPHI P/N ADDED		CHANGE DESCRIPTION	
ECO NO	POSITION	DATE	DESCRIPTION
10820167	211FT0526	10/01/00	DELPHI CORPORATION AND/OR ITS AFFILIATES. ALL RIGHTS RESERVED. REVISED
10820168	211FT0526	10/01/00	DELPHI CORPORATION AND/OR ITS AFFILIATES. ALL RIGHTS RESERVED. REVISED
10820169	211FT0526	10/01/00	DELPHI CORPORATION AND/OR ITS AFFILIATES. ALL RIGHTS RESERVED. REVISED
10820170	211FT0526	10/01/00	DELPHI CORPORATION AND/OR ITS AFFILIATES. ALL RIGHTS RESERVED. REVISED
10820171	211FT0526	10/01/00	DELPHI CORPORATION AND/OR ITS AFFILIATES. ALL RIGHTS RESERVED. REVISED
10820172	211FT0526	10/01/00	DELPHI CORPORATION AND/OR ITS AFFILIATES. ALL RIGHTS RESERVED. REVISED
10820173	211FT0526	10/01/00	DELPHI CORPORATION AND/OR ITS AFFILIATES. ALL RIGHTS RESERVED. REVISED
10820174	211FT0526	10/01/00	DELPHI CORPORATION AND/OR ITS AFFILIATES. ALL RIGHTS RESERVED. REVISED
3-WAY 15x08 FEMALE CONNECTOR		211FT0526	
MINI SEALED TM FAMILY		SERIAL RELEASED	
SEE TABLE		SEE TABLE	

X-ON Electronics

Largest Supplier of Electrical and Electronic Components

Click to view similar products for [Automotive Connectors](#) category:

Click to view products by [APTIV](#) manufacturer:

Other Similar products are found below :

[003-018-000](#) [60403001](#) [60993906-B](#) [629515004020001](#) [M902-2131](#) [M902-2161](#) [72.330.1035.1](#) [73.353.4028.0](#) [F119300-B](#) [F166900](#)
[F258300-B](#) [F358300-B](#) [F407400](#) [F444110](#) [F487000](#) [F509500B-B](#) [827153-1](#) [8N1515-32-24P](#) [9-1326729-8](#) [925474-1](#) [928905-1](#) [964562-4](#)
[968782-1](#) [GT17SA-8DS-HU](#) [98891-1012](#) [98947-1016](#) [12004475-L](#) [12010290](#) [12010309-B](#) [12015454](#) [12020219-B](#) [12020308](#) [12041318-B](#)
[12052225-L](#) [12052466](#) [12059125](#) [12064869](#) [12004327-B](#) [12010503-B](#) [12015308](#) [12015384](#) [12015909](#) [1-21030-1](#) [12041254](#) [12041318](#)
[12047946-B](#) [12047957](#) [12047957-L](#) [12059473](#) [12066261](#)