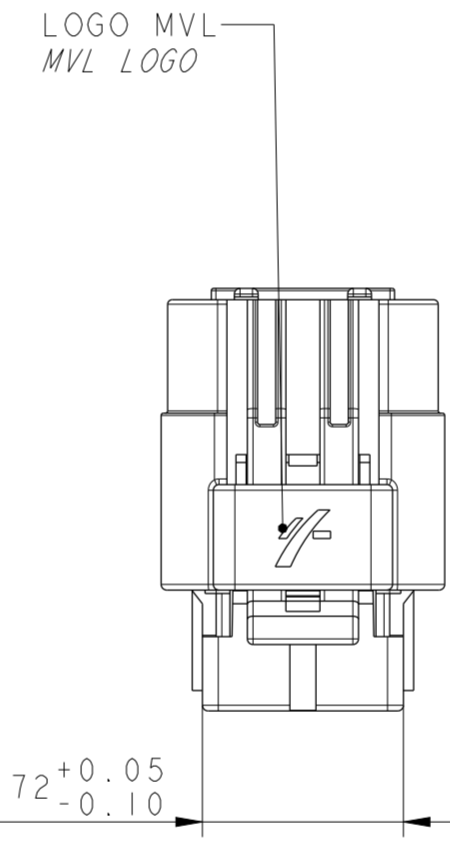
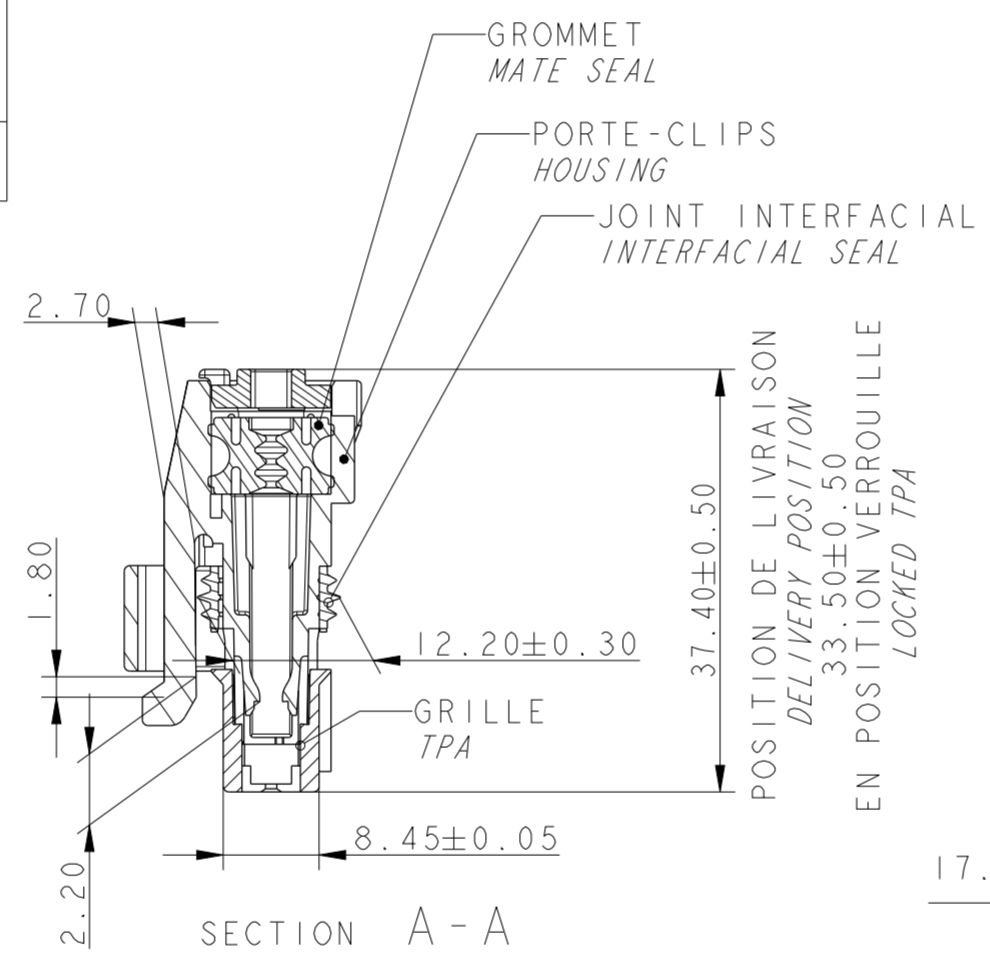
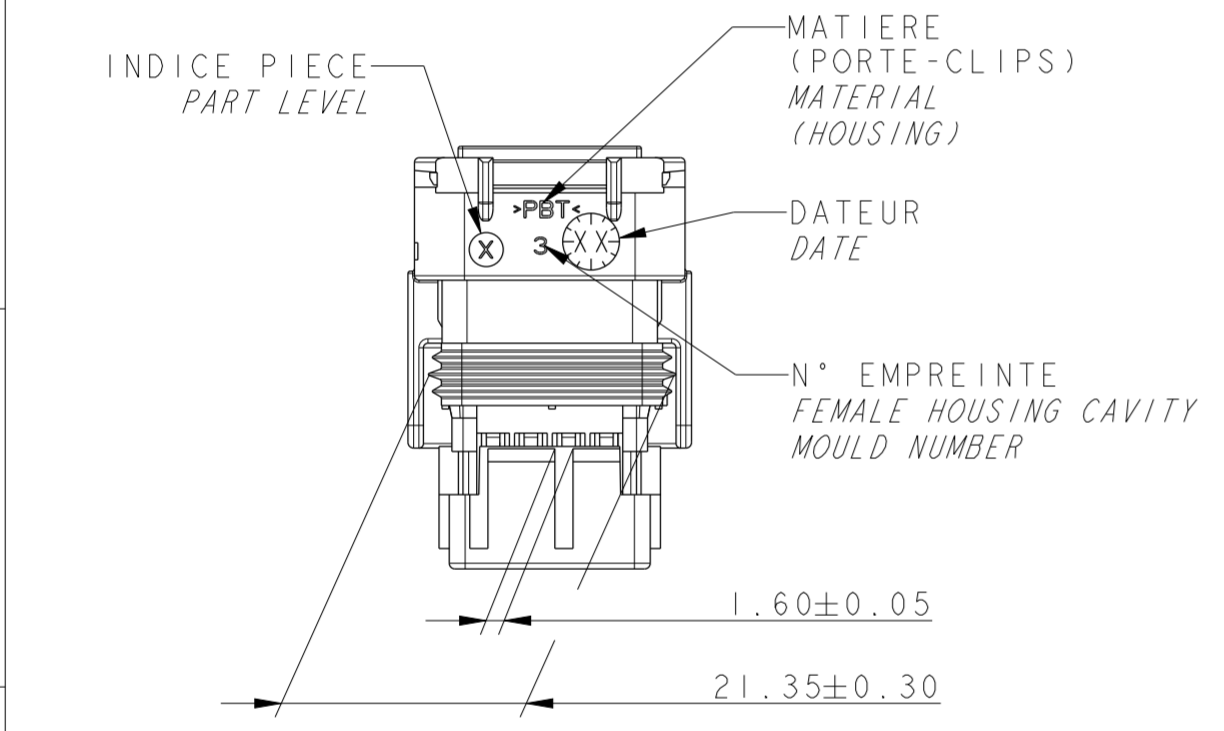
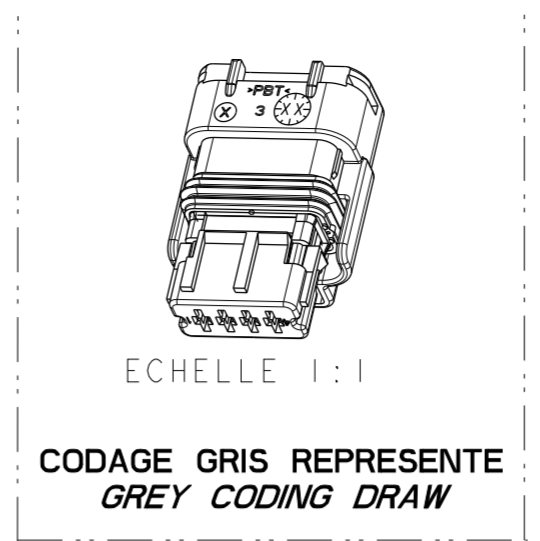
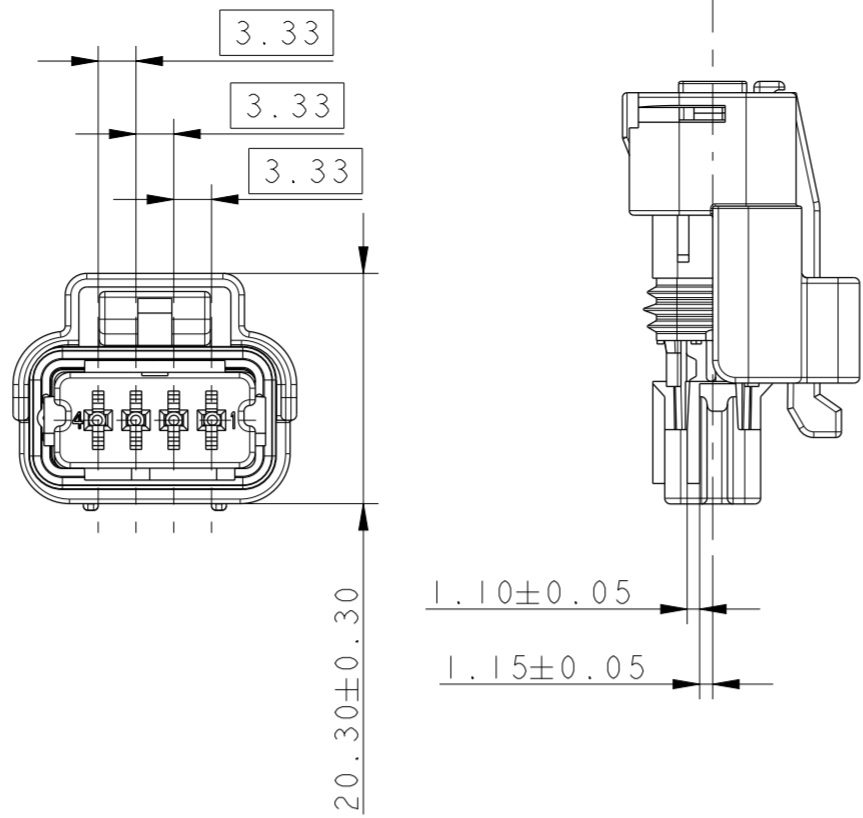
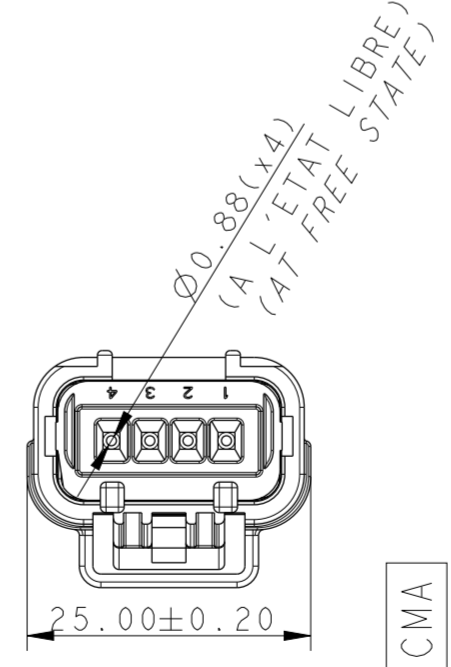


NOTA	SPECIFICATIONS
1	LE CONNECTEUR DOIT ETRE CONFORME AU CDC: 96 238 404 99 FEMALE CONNECTOR ACCORDING TO SPECIFICATION PSA : 96 238 404 99
2	CAHIER DE MISE EN OEUVRE CONNECTIQUE USER'S MANUAL: REF DELPHI : PU 071 / DELPHI REFERENCE: PU071 REF PSA : 96 326 975 99 / PSA'S REFERENCE: 96 556 975 99
3	CONFORME AU PLAN D'ALVEOLE: STE 96 288 230 99 CAVITY ACCORDING TO: STE 96 288 230 99
4	CONNECTEUR ET POSITION ALVEOLE CONFORMES AU PLAN D'INTERFACE: FEMALE CONNECTOR AND CAVITY'S POSITION ACCORDING INTERFACE DRAWING: STE 96 339 622 99
5	CONDUCTEUR ELECTRIQUE SUIVANT / ELECTRICAL WIRE ACCORDING TO: B25 1110 Rev A
6	CONDITIONNEMENT SUIVANT NORME E 7303 150 G PACKAGING ACCORDING TO STANDARD: E 7303 150 G
7	DIAMETRE DE FILS / WIRE INSULATION DIAMETER : MINI=1.40 MAXI=2.80
8	MASSE DU PRODUIT LIVRABLE = 8g DELIVERY CONNECTOR WEIGHT : 8g
9	CLASSE DE TEMPERATURE T3 SELON B217050 REV A TEMPERATURE CLASS T3 ACCORDING TO B21 7050 REV A CLASSE DE VIBRATION V2 (CONNECTEUR SUR MOTEUR) SELON B217050 REV A VIBRATIONS CLASS V2 (CONNECTOR ON ENGINE) ACCORDING TO B21 7050 REV A CLASSE ETANCHEITE 2 SELON B217050 REV A SEALING CLASS 2 ACCORDING TO B21 7050 REV A
10	CHARNIERE DE PLAQUETTE ARRIERE ABSENTE OU CASSEE ADMISE NO REAR PLATE HINGE OR REAR PLATE HINGE BROKEN ALLOWED



ISOLANT / HOUSING	211 I 0 022	PBT 0% FV / PBT 0% GF	NOIR / BLACK
GRILLE TPA	211 M 8 052	PBT 15% FV PBT 15% GF	GRIS / GREY
	211 M 6 052		BLEU / BLUE
	211 M 4 052		JAUNE / YELLOW
JOINT INTERFACIAL INTERFACIAL SEAL	211 M 6 116	SILICONE	BLEU / BLUE
GROMMET MATE SEAL	211 M 134	SILICONE 4% D'HUILE / 4% OF OIL DURETE / HARDNESS: 20±5 SHORE A	VERT / GREEN
DESIGNATION	REF.MVL / MVL REF.	MATIERE / MATERIAL	COULEUR / COLOR
			VUE DE DESSOUS BOTTOM VIEW ±0.05
codage:NOIR couleur grille: JAUNE Coding: BLACK TPA color: YELLOW 211 PC 04 2 S 4 021	codage:BLEU couleur grille: BLEU Coding: BLUE TPA color: BLUE 211 PC 04 2 S 6 021	codage:GRIS couleur grille: GRIS Coding: GREY TPA color: GREY 211 PC 04 2 S 8 021	CODAGE COULEUR CODING COLOR MVL REF PART LEVEL REF DELPHI REVISION
C 10763691 01	C 10811785 01	C 10763659 01	



CONNECTIQUE SICMA

ECN-NO. NUMERO ECN	POSITION POSITION	CHANGE DESCRIPTION MODIFICATION	
		DELPHI P/N ADDED	
PRODUCT SPEC. SPECIF. PRODUIT	PACKAGING SPEC. SPECIF. EMBALLAGE	APPLICATION SPEC. SPECIF. APPLICATION	COPYRIGHT DELPHI CORPORATION AND/OR ITS AFFILIATES. ALL RIGHTS RESERVED. REVISED THIS DRAWING IS THE PROPERTY OF DELPHI CORPORATION AND CONTAINS DELPHI CONFIDENTIAL INFORMATION. THE REPRODUCTION, DISTRIBUTION AND UTILIZATION OF THIS DOCUMENT OR ITS RELATED CAD WITH DATA, AS WELL AS COMMUNICATION OF ANY CONTENT TO OTHERS, WITHOUT EXPRESS AUTHORIZATION, IS PROHIBITED.
TOLERANCES TOLERANCES	±0.1 ±2*	MATERIAL : SEE TABLE	SURFACE FINISH ETAT DE SURFACE
COUNTERPART No. CONTRE-PARTIE N°		COLOUR : SEE TABLE	
DO NOT MEASURE DRAWING NE PAS PRENDRE DE COTES		TOOL NO. OUTIL N°	ECO Loc. Code CODE B.E. FE
CREATED BY CREE PAR	DATE DATE	NAME NOM	TITLE DESIGNATION
2003-02-03		J.PINEL	4-WAY 15x08 FEMALE CONNECTOR
MODIFIED BY MODIF. PAR	DATE DATE	NAME NOM	PROJECT PROJET
20131010		F FAURIE	
CHECKED BY VERIF. PAR	DATE DATE	NAME NOM	STATE ETAT
20131015		S LACOTE	PART NUMBER REF. ARTICLE
APPROVED BY APPR. PAR	DATE DATE	NAME NOM	REV. IND.
20131015		Pascal MENARD	211FT0194
FILE NAME NOM DE FICHIER	211FT0194	ESR NO. NUMERO ESR	REV. IND.
		FRA-0623	211PC042SX021
		CAT. NO. NUMERO CAT.	SCALE ECH.
			1:1

EUR C04 112 F29 PDS

X-ON Electronics

Largest Supplier of Electrical and Electronic Components

Click to view similar products for [Automotive Connectors](#) category:

Click to view products by [APTIV](#) manufacturer:

Other Similar products are found below :

[003-018-000](#) [60403001](#) [60993906-B](#) [629515004020001](#) [M902-2131](#) [M902-2161](#) [72.330.1035.1](#) [73.353.4028.0](#) [F119300-B](#) [F166900](#)
[F258300-B](#) [F358300-B](#) [F407400](#) [F444110](#) [F487000](#) [F509500B-B](#) [827153-1](#) [8N1515-32-24P](#) [9-1326729-8](#) [925474-1](#) [928905-1](#) [964562-4](#)
[968782-1](#) [GT17SA-8DS-HU](#) [98891-1012](#) [98947-1016](#) [12004475-L](#) [12010290](#) [12010309-B](#) [12015454](#) [12020219-B](#) [12020308](#) [12041318-B](#)
[12052225-L](#) [12052466](#) [12059125](#) [12064869](#) [12004327-B](#) [12010503-B](#) [12015308](#) [12015384](#) [12015909](#) [1-21030-1](#) [12041254](#) [12041318](#)
[12047946-B](#) [12047957](#) [12047957-L](#) [12059473](#) [12066261](#)