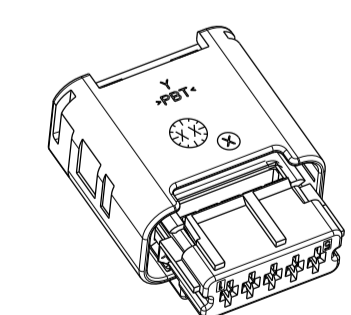
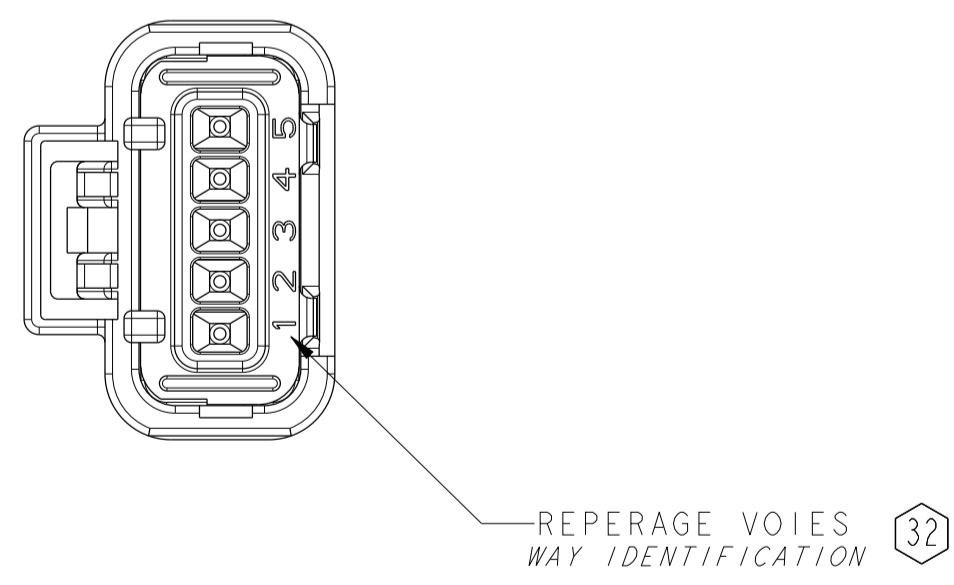
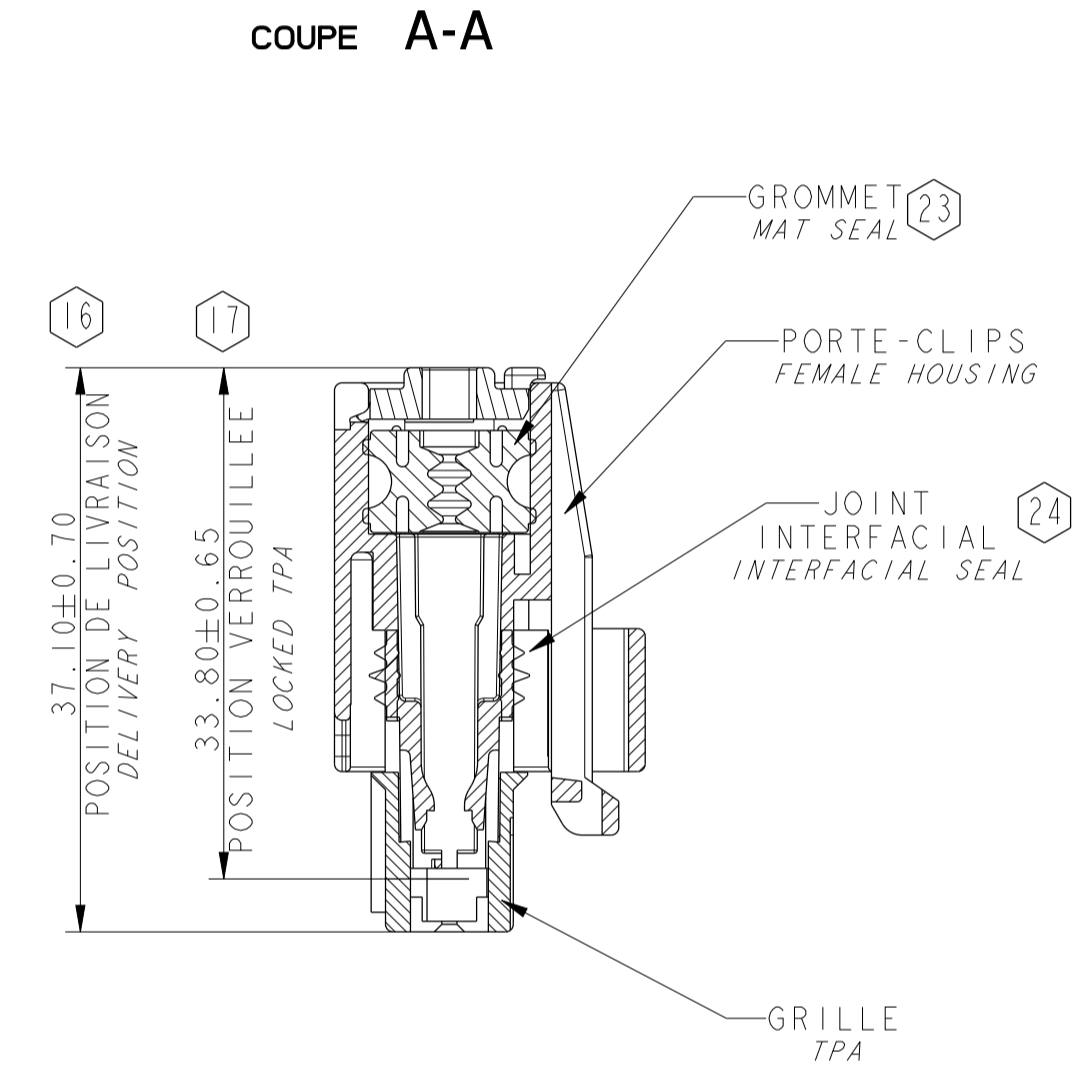
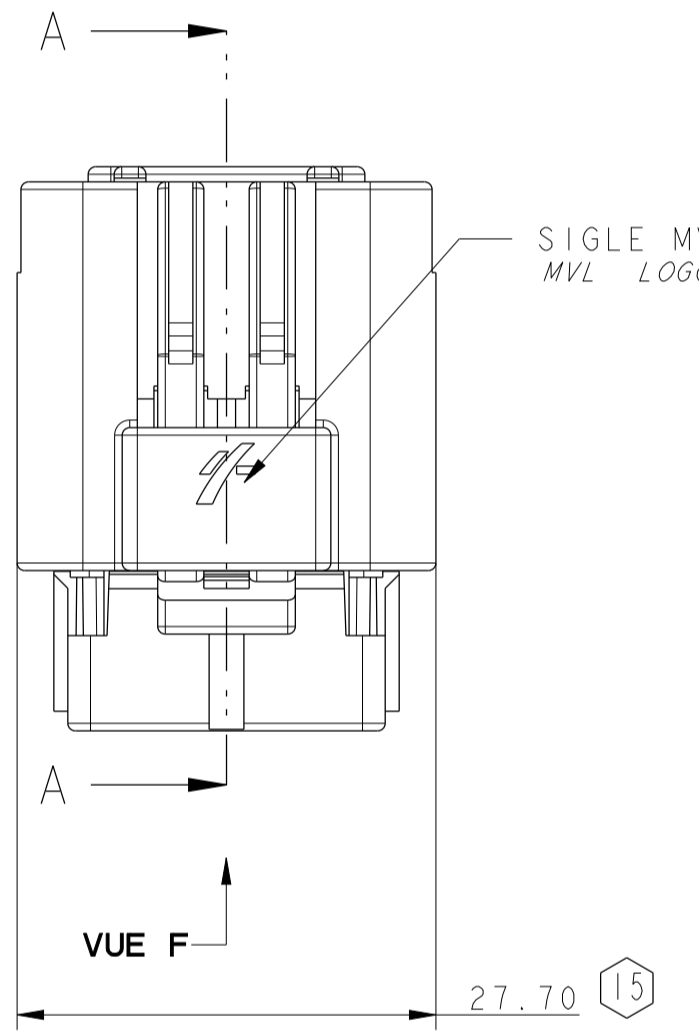
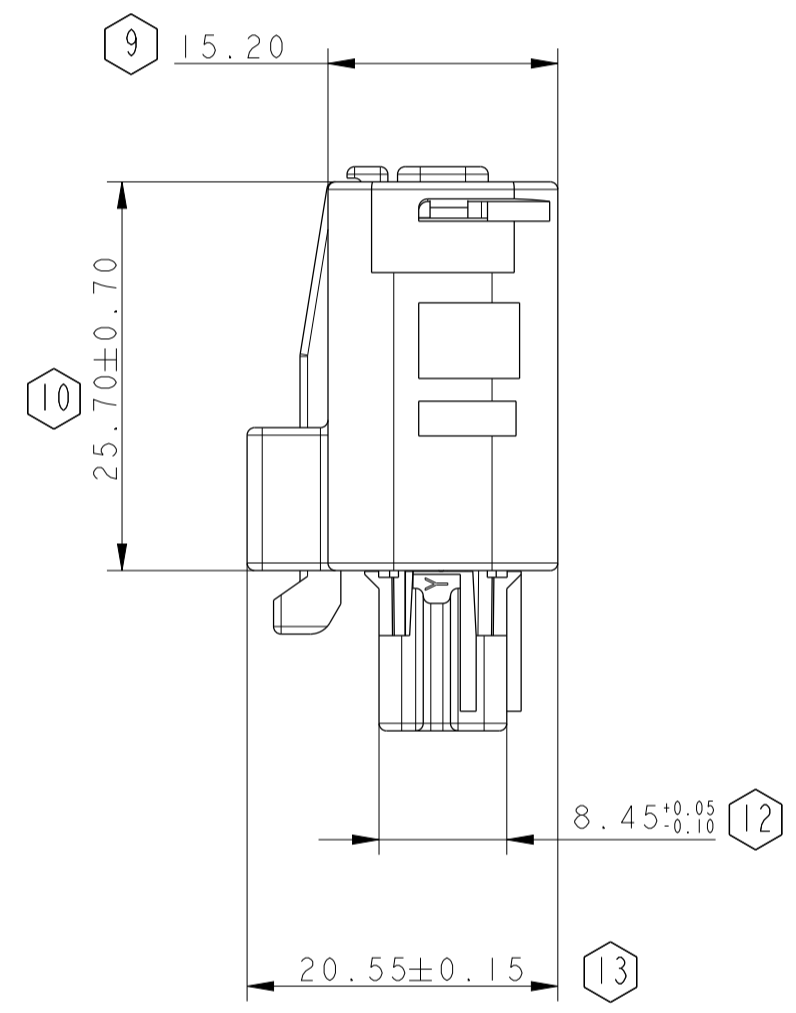
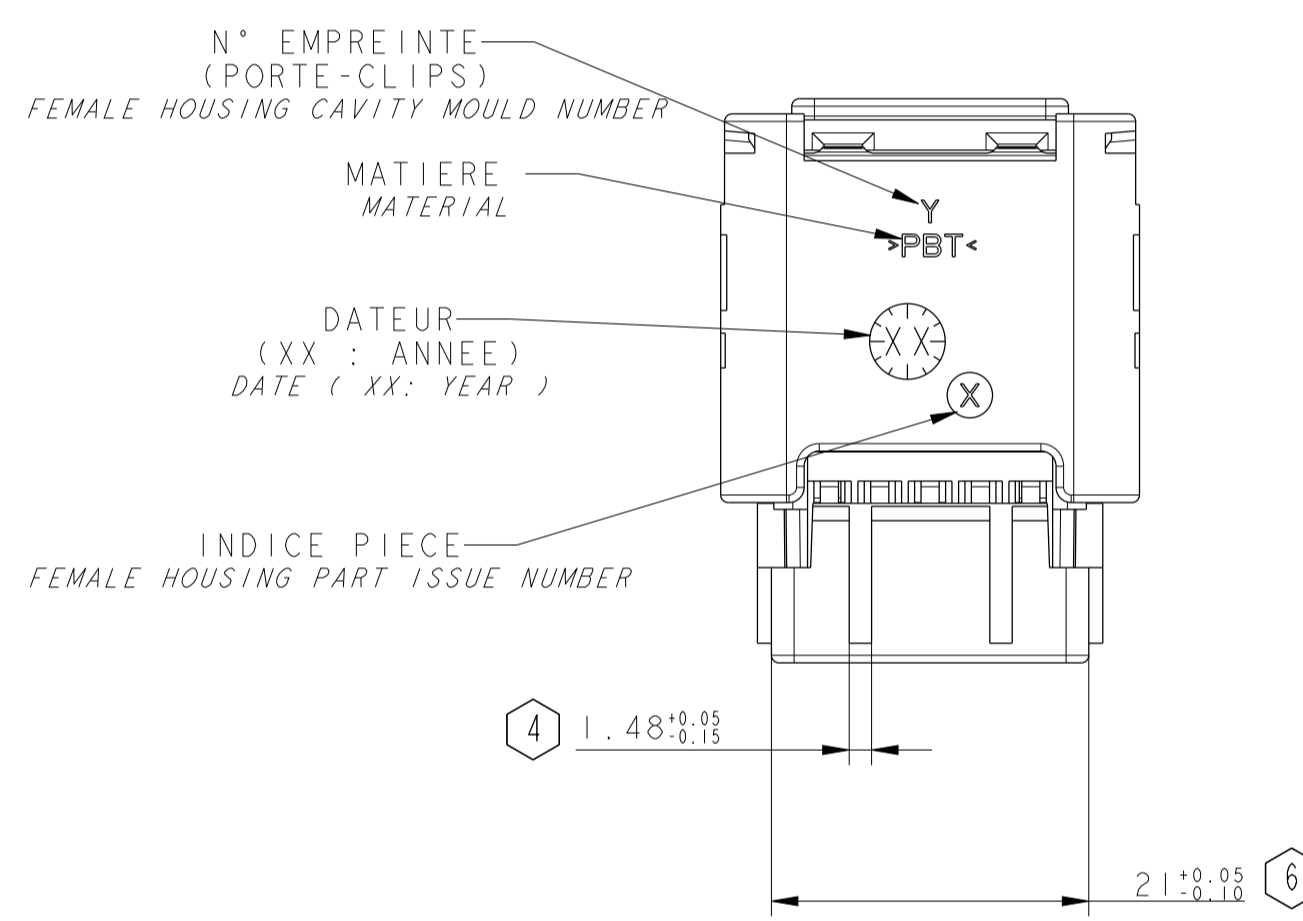
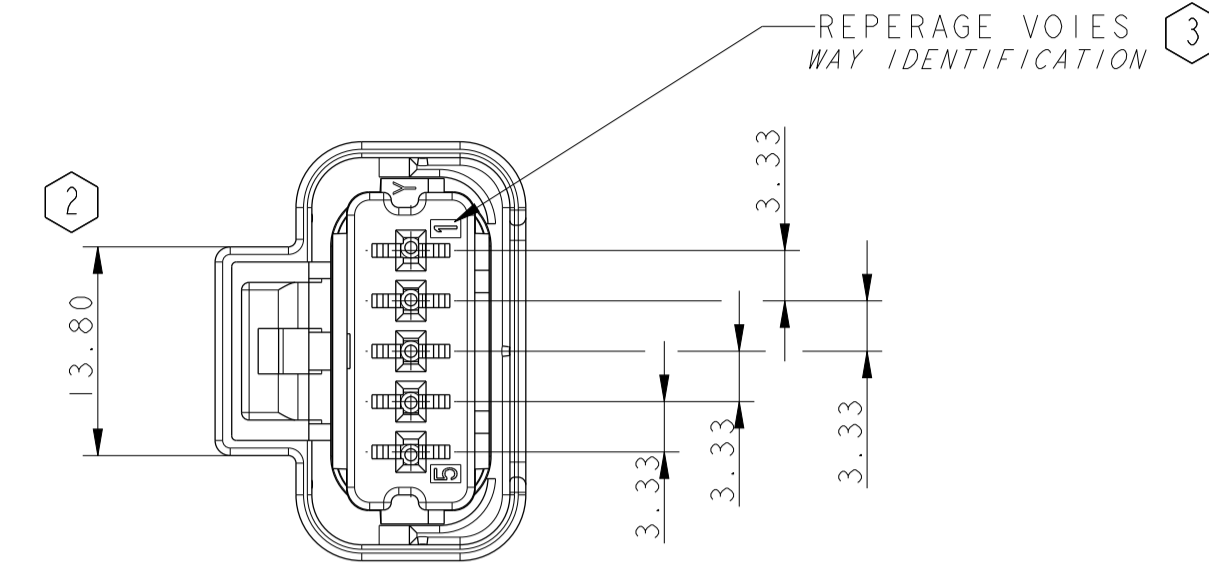


NOTA	SPECIFICATIONS
1	CONNECTEUR DOIT ETRE CONFORME AU CDC : 96 238 404 99
2	CONNECTEUR SUIVANT : -CLASSE DE TEMPERATURE T3 SELON B217050 REV A -CLASSE DE VIBRATION MOTEUR SELON B217050 REV A -CLASSE ETANCHEITE 2 SELON B217050 REV A FEMALE CONNECTOR ACCORDING TO: TEMPERATURE CLASS T3 ACCORDING TO B217050 REV A ENGINE VIBRATION CLASS ACCORDING TO B217050 REV A SEALING CLASS 2 ACCORDING TO B217050 REV A
3	PRECONISATION D'UTILISATION / USER MANUAL REF. MVL: PU 0271MVL'S REFERENCE: PU 027
4	ALVEOLE SUIVANT STE: 96 288 230 99 CAVITY ACCORDING TO: STE: 96 288 230 99
5	CONNECTEUR ET POSITION ALVEOLE CONFORMES AU PLAN D'INTERFACE 211FT0523 ET STE 96 339 622 99 FEMALE CONNECTOR AND CAVITY'S POSITION ACCORDING TO: DRAWING INTERFACE 211FT0523 ET STE 96 339 622 99
6	CONDUCTEUR SUIVANT STE : 96 418 794 99 WIRE ACCORDING TO: STE : 96 418 794 99
7	CONDITIONNEMENT SUIVANT NORME: E73 03 150G PACKAGING ACCORDING TO STANDARD: E73 03 150G
8	DIAMETRE DE L'ISOLANT DES FILS WIRE INSULATION DIAMETER :MINI=1.40 :MAXI=2.80
9	MASSE DU PRODUIT LIVRABLE : 10g DELIVERY CONNECTOR WEIGHT : 10g
10	CHARNIERE DE PLAQUETTE ARRIERE ABSENTE OU CASSEE ADMISE MISSING OR BROKEN REAR PLATE HINGE ALLOWED
11	DEFAUTS D'ASPECT SUR ZONES NON FONCTIONNELLES ADMIS VISUAL DEFECTS ON NO FUNCTIONAL AREAS ALLOWED



ECHELLE 1:1
SCALE 1:1
CODAGE NOIR REPRESENTE
BLACK CODING DRAW

COMPONENT	REF. MVL	MATIERE	COULEUR
PORTE-CLIPS FEMALE HOUSING	211 I 0 080	PBT NON CHARGE PBT: 0% GF	NOIR BLACK
GRILLE TPA	211 M 4 131	PBT: 15% FV PBT: 15% GF	JAUNE YELLOW
	211 M 6 131		BLEU BLUE
	211 M 8 131		GRIS GREY
GROMMET MAT SEAL	211 M 132	SILICONE 30sh A	VERT GREEN
JOINT INTERFACIAL INTERFACIAL SEAL	211 M 133	SILICONE 30sh.A	BLEU BLUE
DESIGNATION DESCRIPTION	REF. MVL MVL'S REFERENCE	MATIERE MATERIAL	COULEUR COLOUR

JAUNE / YELLOW	BLEU / BLUE	GRIS / GREY	COULEUR GRILLE COLOUR TPA
211 PC 05 2S 0 081	211 PC 05 2S 6 081	211 PC 05 2S 8 081	NOIR / BLACK
10820113	33500308	10846260	BLEU / BLUE
01	01	01	GRIS / GREY

TOLERANCES : ±0.05
ECHELLE 3:2
SCALE: 3:2

CODAGE MECANIQUE SELON NF R 13-460
MECHANICAL CODING ACCORDING TO NF R 13-460

ECN-NO. NUMBER ECN	POSITION POSITION	CHANGE DESCRIPTION MODIFICATION
		DELPHI P/N ADDED

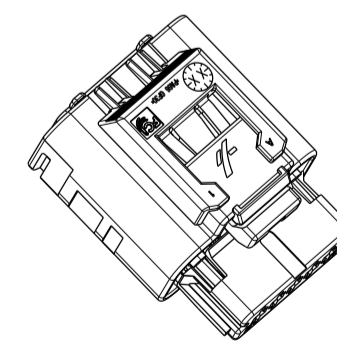
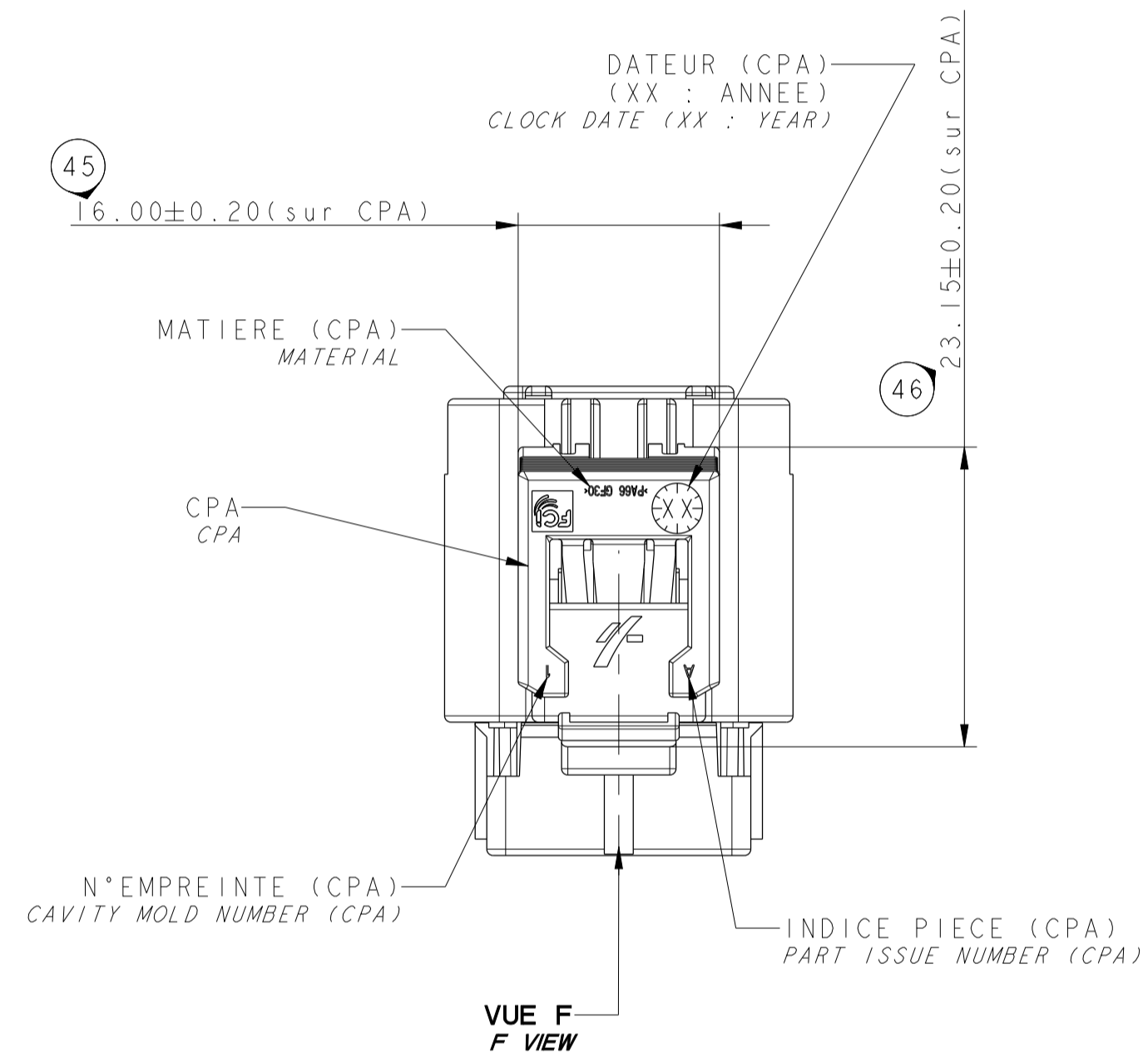
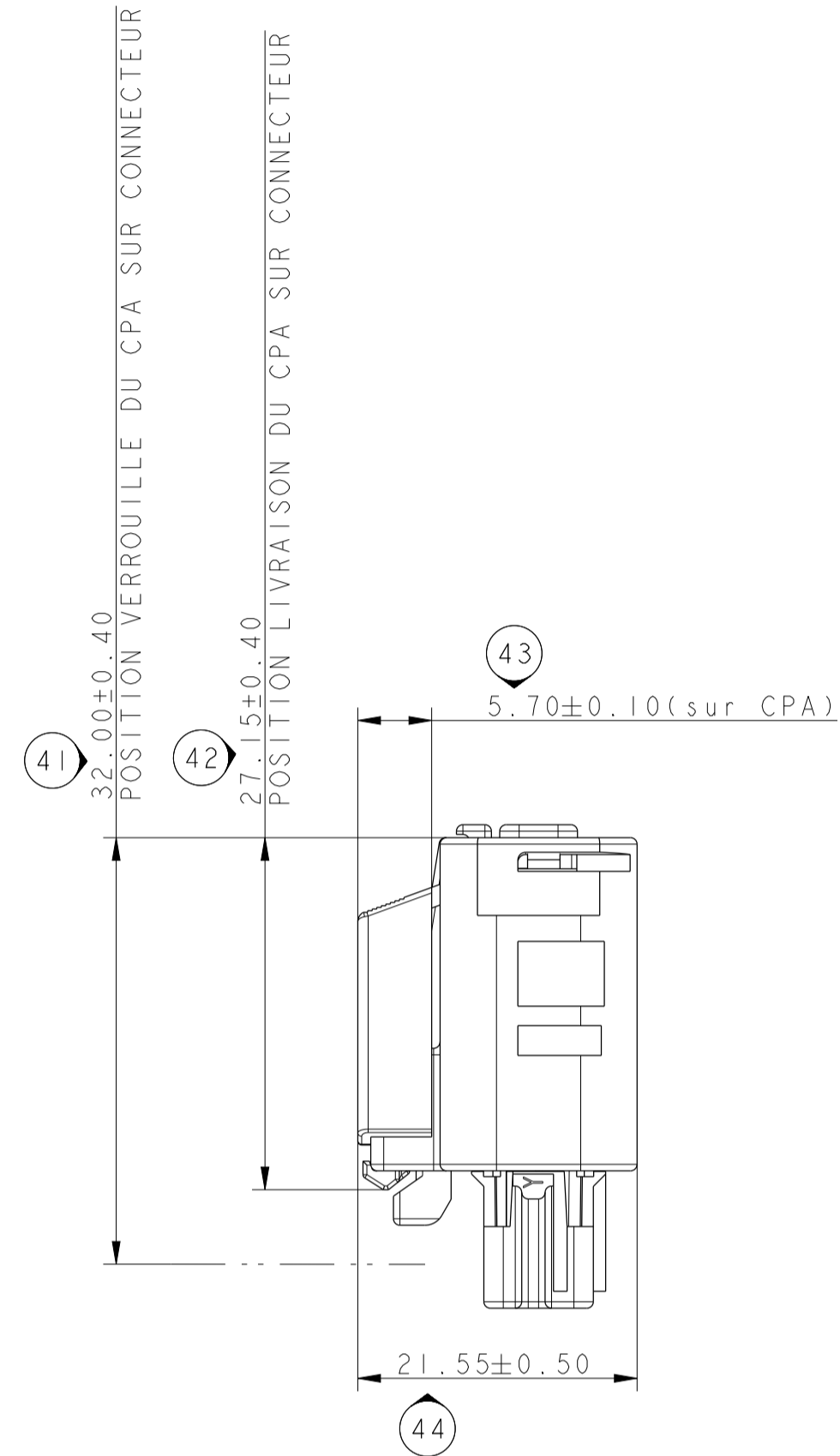
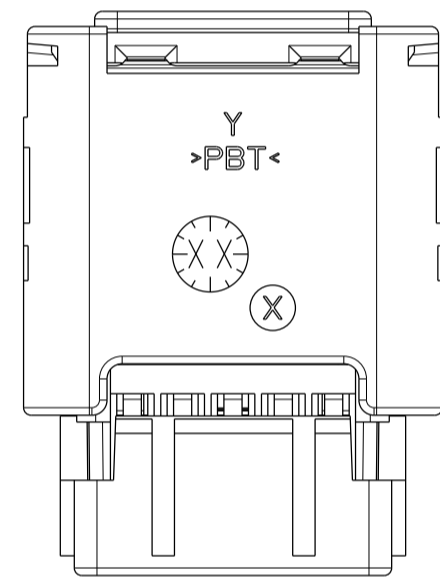
PROJETS	PROJETS	PROJETS	PROJETS
DELPHI CORPORATION AND/OR ITS AFFILIATES. ALL RIGHTS RESERVED. REVISED THIS DRAWING IS THE PROPERTY OF DELPHI CORPORATION AND CONTAINS DELPHI CONFIDENTIAL INFORMATION. THE REPRODUCTION, DISTRIBUTION AND RELEASE OF THIS DOCUMENT BY ITS RECIPIENT OR BY ANY OTHER, WITHOUT EXPRESS AUTHORIZATION, IS PROHIBITED.	DELPHI CORPORATION AND/OR ITS AFFILIATES. ALL RIGHTS RESERVED. REVISED THIS DRAWING IS THE PROPERTY OF DELPHI CORPORATION AND CONTAINS DELPHI CONFIDENTIAL INFORMATION. THE REPRODUCTION, DISTRIBUTION AND RELEASE OF THIS DOCUMENT BY ITS RECIPIENT OR BY ANY OTHER, WITHOUT EXPRESS AUTHORIZATION, IS PROHIBITED.	DELPHI CORPORATION AND/OR ITS AFFILIATES. ALL RIGHTS RESERVED. REVISED THIS DRAWING IS THE PROPERTY OF DELPHI CORPORATION AND CONTAINS DELPHI CONFIDENTIAL INFORMATION. THE REPRODUCTION, DISTRIBUTION AND RELEASE OF THIS DOCUMENT BY ITS RECIPIENT OR BY ANY OTHER, WITHOUT EXPRESS AUTHORIZATION, IS PROHIBITED.	DELPHI CORPORATION AND/OR ITS AFFILIATES. ALL RIGHTS RESERVED. REVISED THIS DRAWING IS THE PROPERTY OF DELPHI CORPORATION AND CONTAINS DELPHI CONFIDENTIAL INFORMATION. THE REPRODUCTION, DISTRIBUTION AND RELEASE OF THIS DOCUMENT BY ITS RECIPIENT OR BY ANY OTHER, WITHOUT EXPRESS AUTHORIZATION, IS PROHIBITED.

TOLERANCES	MATERIAL	STATE OF SURFACE	DELPHI
±0.1 ±2'	SEE TABLE		DELPHI PACKARD ELECTRICAL/ELECTRONIC ARCHITECTURE EPREMONT, FRANCE

CONTRIBUTOR	DATE	NAME	TITLE	DRAWING NUMBER	REV.	APPROVAL LEVEL
J. PINEL	2008-04-24	J. PINEL	5-WAY 15 X0.8 FEMALE CONNECTOR	PCC0736946	C	pro / eng.

STATUT	STATUT	STATUT	STATUT
DELPHI	DELPHI	DELPHI	DELPHI

NOTA	SPECIFICATIONS
1	CONNECTEUR SANS CPA SUIVANT: VOIR NOTA FEUILLE N°1 FEMALE CONNECTOR WITHOUT CPA ACCORDING TO : SEE NOTA SHEET N°1 CONNECTEUR A CPA SUIVANT PIV N° FEPS-09009 CONNECTOR WITH CPA FOLLOWING SPEC N° FEPS-09009
3	PRECONISATION D'UTILISATION / USER MANUAL REF. MVL: PU 021/MVL'S REFERENCE: PU 027
4	CONDITIONNEMENT SUIVANT NORME: E73 03 150G PACKAGING ACCORDING TO STANDARD: E73 03 150G
5	MASSE DU PRODUIT (CONNECTEUR+CPA) LIVRABLE : 11g DELIVERY CONNECTOR(CONNECTOR+CPA) WEIGHT : 11g
6	DEFAUTS D'ASPECT SUR ZONES NON FONCTIONNELLES ADMIS VISUAL DEFECTS ON NO FUNCTIONNAL AREAS ALLOWED



SCALE 1:1
CODAGE NOIR REPRESENTE
BLACK CODING DRAWN

ISOLANT PORTE-CLIPS FEMALE HOUSING	211 1 0 080	PBT NON CHARGE PBT: 0% GF	NOIR BLACK
GRILLE TPA	211 M 4 131	PBT: 15% FV PBT: 15% GF	JAUNE YELLOW
	211 M 6 131		BLEU BLUE
	211 M 8 131		GRIS GREY
GROMMET MAT SEAL	211 M 132	SILICONE 30SHA	VERT GREEN
JOINT INTERFACIAL INTERFACIAL SEAL	211 M 133	SILICONE 30SHA	BLEU BLUE
CPA CPA	C 055500	PA 66 CHARGE 30% PA 66 30% GF	ORANGE ORANGE
DESIGNATION DESCRIPTION	REF. MVL MVL P/N	MATIERE MATERIAL	COULEUR COLOUR

			VUE F VIEW F
JAUNE / YELLOW	BLEU / BLUE	GRIS / GREY	ECHELLE : 3:2 SCALE : 3:2
NOIR / BLACK	BLEU / BLUE	GRIS / GREY	COULEUR GRILLE TPA COLOUR
F 155500	F 655500	F 755500	CODAGE MECANIQUE SELON NF R 13-460 MECHANICAL CODING ACCORDING TO NF R 13-460
B	B	B	PART NUMBER
13798030	33502227	33502243	PART REVISION
01	01	01	PART NUMBER
			PART REVISION

ECN-NO. NUMERO ECH	POSITION	CHANGE DESCRIPTION MODIFICATION
-	-	DELPHI P/N ADDED

PROJET SPEC. SPECIF. PRODUIT	PACKAGING SPEC. SPECIF. EMBALLAGE	APPLICATION SPEC. SPECIF. APPLICATION	COPYRIGHT DELPHI CORPORATION AND/OR ITS AFFILIATES. ALL RIGHTS RESERVED. REVISED
-	-	-	THIS DRAWING IS THE PROPERTY OF DELPHI CORPORATION AND CONTAINS DELPHI CONFIDENTIAL INFORMATION. THE REPRODUCTION, DISTRIBUTION AND RELEASE OF THIS DRAWING OR ITS CONTENTS WITHOUT THE WRITTEN PERMISSION OF DELPHI CORPORATION IS PROHIBITED. LE PRESENT DESSIN EST LA PROPRIETE DE DELPHI CORPORATION ET CONTIEN DES INFORMATIONS CONFIDENTIELLES. LA REPRODUCTION, LA DISTRIBUTION ET L'UTILISATION DE CE DESSIN OU DE SES CONTENUX SANS LAutorisation ECRITE DE DELPHI CORPORATION EST INTERDITE.

TOLERANCES	MATERIAL	STATE OF SURFACE	DELPHI	CAU SYSTEM
±0.1 ±0.2	SEE TABLE	-	DELPHI PACKARD ELECTRICAL/ELECTRONIC ARCHITECTURE EPFONN, FRANCE	pro / eng

CONTRIBUTOR	DATE	NAME	TITLE	DRAWING NUMBER	APPROVAL LEVEL
DELPHI	2015/04/24	J. PAVAN	PROJECT	PCC0736946	C

CREATED BY	DATE	NAME	TITLE	DRAWING NUMBER	APPROVAL LEVEL
DELPHI	2015/04/24	J. PAVAN	PROJECT	PCC0736946	C

APP. PAR	DATE	NAME	TITLE	DRAWING NUMBER	APPROVAL LEVEL
DELPHI	2015/04/24	J. PAVAN	PROJECT	PCC0736946	C

FILE NAME	DESCRIPTION	DATE	SCALE
PCC0736946	MINI SEALED 'CS' FAMILY	2015/04/24	1:1

X-ON Electronics

Largest Supplier of Electrical and Electronic Components

Click to view similar products for [Automotive Connectors](#) category:

Click to view products by [APTIV](#) manufacturer:

Other Similar products are found below :

[003-018-000](#) [60403001](#) [60993906-B](#) [629515004020001](#) [M902-2131](#) [M902-2161](#) [72.330.1035.1](#) [73.353.4028.0](#) [F119300-B](#) [F166900](#)
[F258300-B](#) [F358300-B](#) [F407400](#) [F444110](#) [F487000](#) [F509500B-B](#) [827153-1](#) [8N1515-32-24P](#) [9-1326729-8](#) [925474-1](#) [928905-1](#) [964562-4](#)
[968782-1](#) [GT17SA-8DS-HU](#) [98891-1012](#) [98947-1016](#) [12004475-L](#) [12010290](#) [12010309-B](#) [12015454](#) [12020219-B](#) [12020308](#) [12041318-B](#)
[12052225-L](#) [12052466](#) [12059125](#) [12064869](#) [12004327-B](#) [12010503-B](#) [12015308](#) [12015384](#) [12015909](#) [1-21030-1](#) [12041254](#) [12041318](#)
[12047946-B](#) [12047957](#) [12047957-L](#) [12059473](#) [12066261](#)