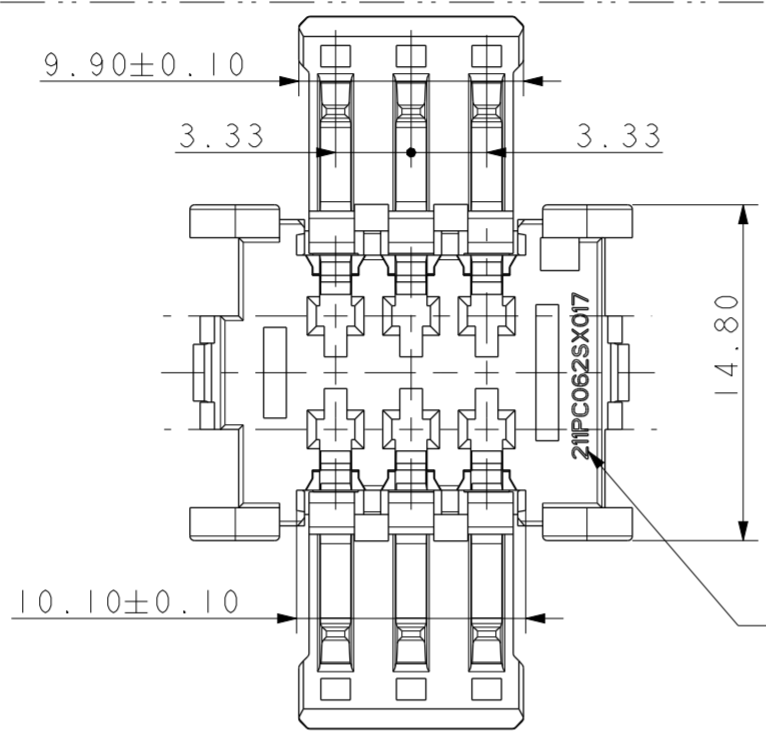
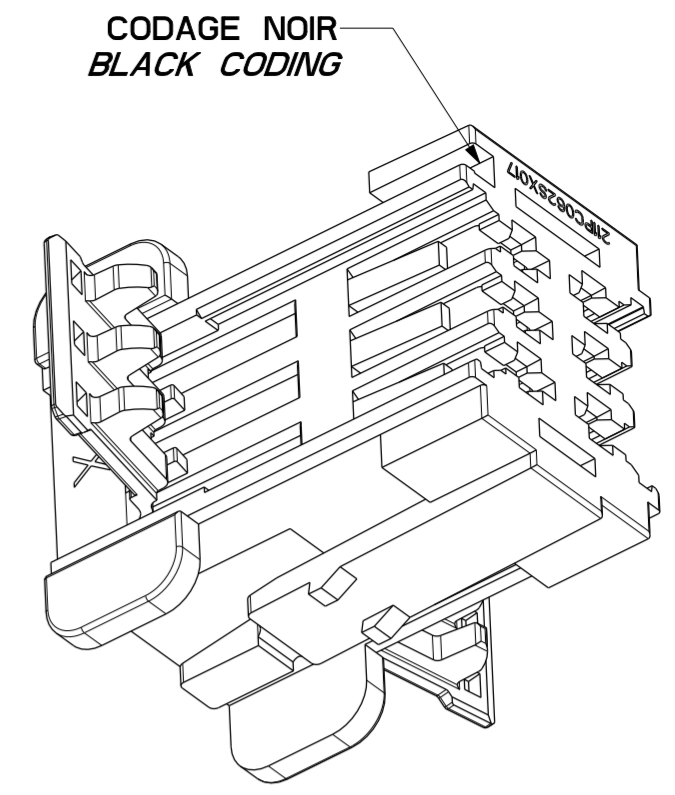


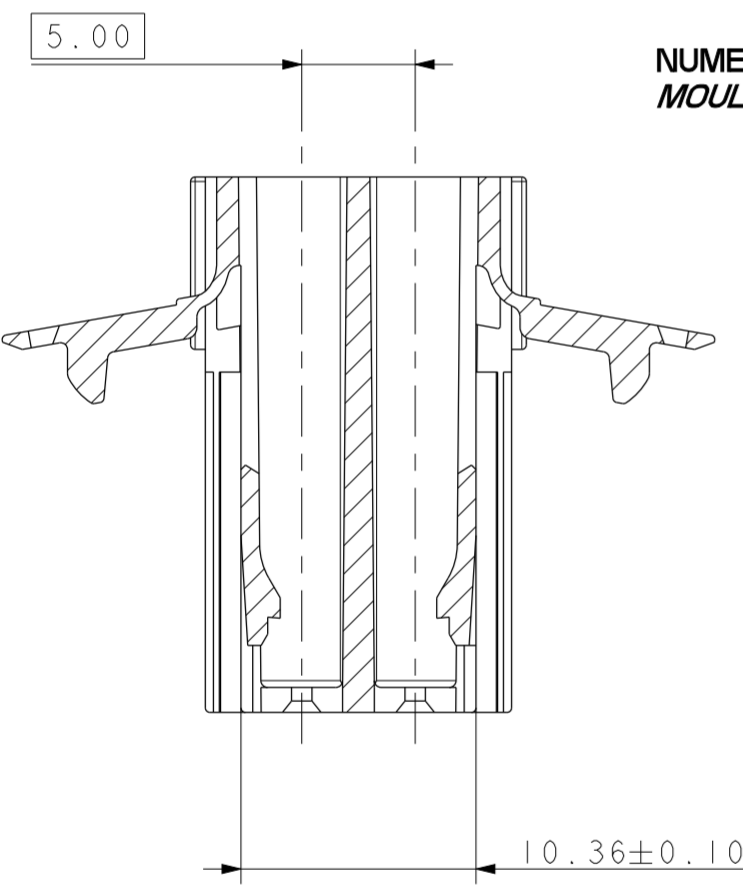
| SANS WITHOUT | VIOLET PURPLE | | 2.70±0.10 | 1.55 ^{+0.25} _{-0.20} | 211 PC 06 2 S 7017 | B | 10820503 | 01 |
|---------------|---------------|-----------|-----------|--|--------------------|-----|------------|-----|
| 5 | MARRON BROWN | 1.30±0.10 | | 1.55 ^{+0.25} _{-0.20} | 211 PC 06 2 S 1017 | B | 10820502 | 01 |
| 4 | BLEU BLUE | 1.00±0.10 | 2.70±0.10 | 1.55 ^{+0.25} _{-0.20} | 211 PC 06 2 S 6017 | B | 10820501 | 01 |
| 3 | GRIS GREY | 1.30±0.10 | | 1.55 ^{+0.25} _{-0.20} | 211 PC 06 2 S 8017 | B | 10820500 | 01 |
| 2 | NOIR BLACK | 1.00±0.10 | 2.70±0.10 | 1.55 ^{+0.25} _{-0.20} | 211 PC 06 2 S 0017 | B | 10788770 | 02 |
| 1 | BLANC WHITE | 1.30±0.10 | | 1.55 ^{+0.25} _{-0.20} | 211 PC 06 2 S 9017 | B | 10820499 | 01 |
| CODAGE CODING | COULEUR COLOR | A | B | C | Ref MVL | Rev | Ref DELPHI | Rev |

NOTA : LE NUMERO DU CODAGE CORRESPOND A UN EVIDEMENT DE PROFONDEUR 5.80
 NOTE : THE CODING NUMBER CORRESPOND TO AN HOLLOWING OUT WITH A DEPTH OF 5.80

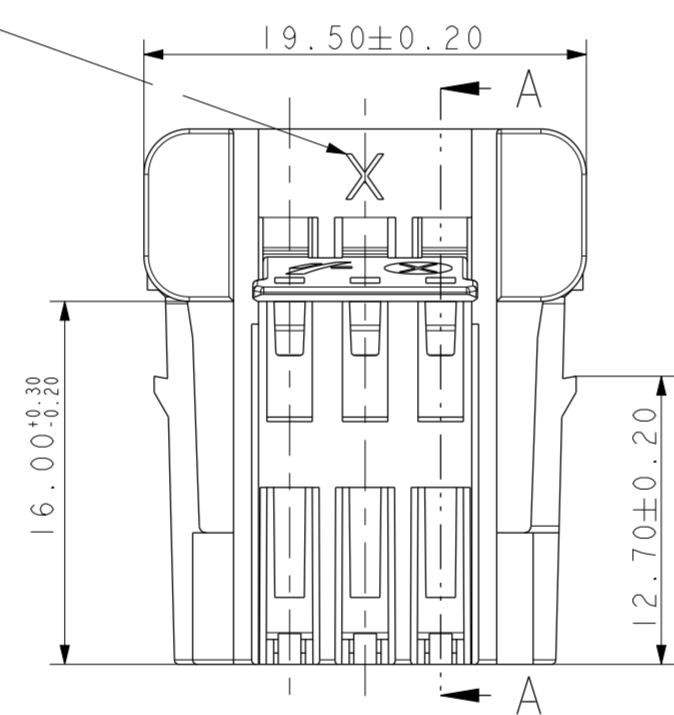


REFERENCE MVL
MVL'S REFERENCE

COUPE A-A
SECTION A-A



NUMERO EMPREINTE
MOULD CAVITY NUMBER



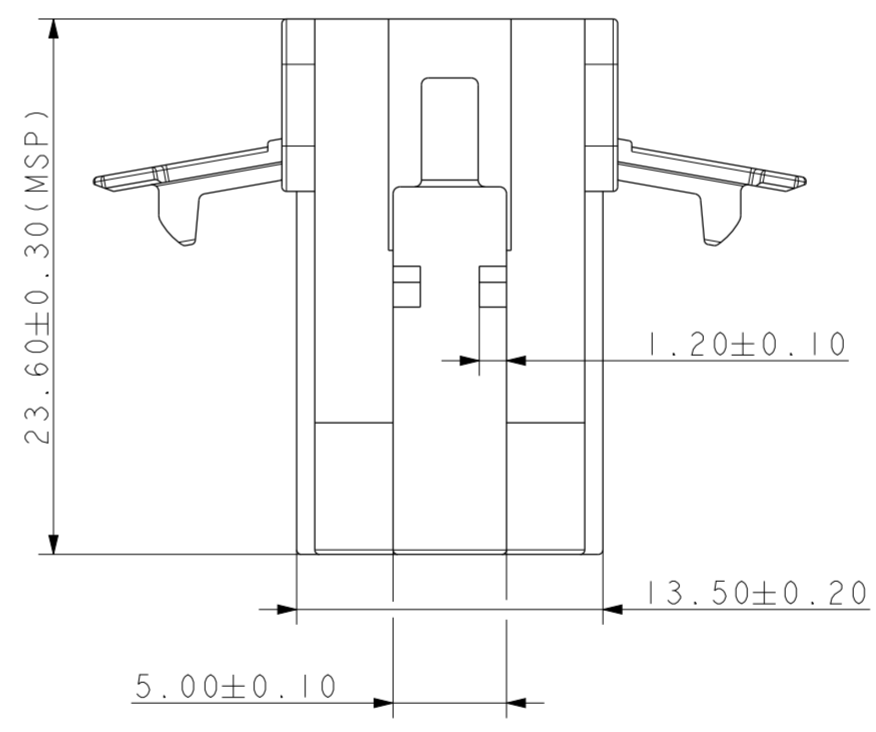
REPERE ALVEOLE
CAVITY POSITIONING

SIGLE MVL
LOGO MVL

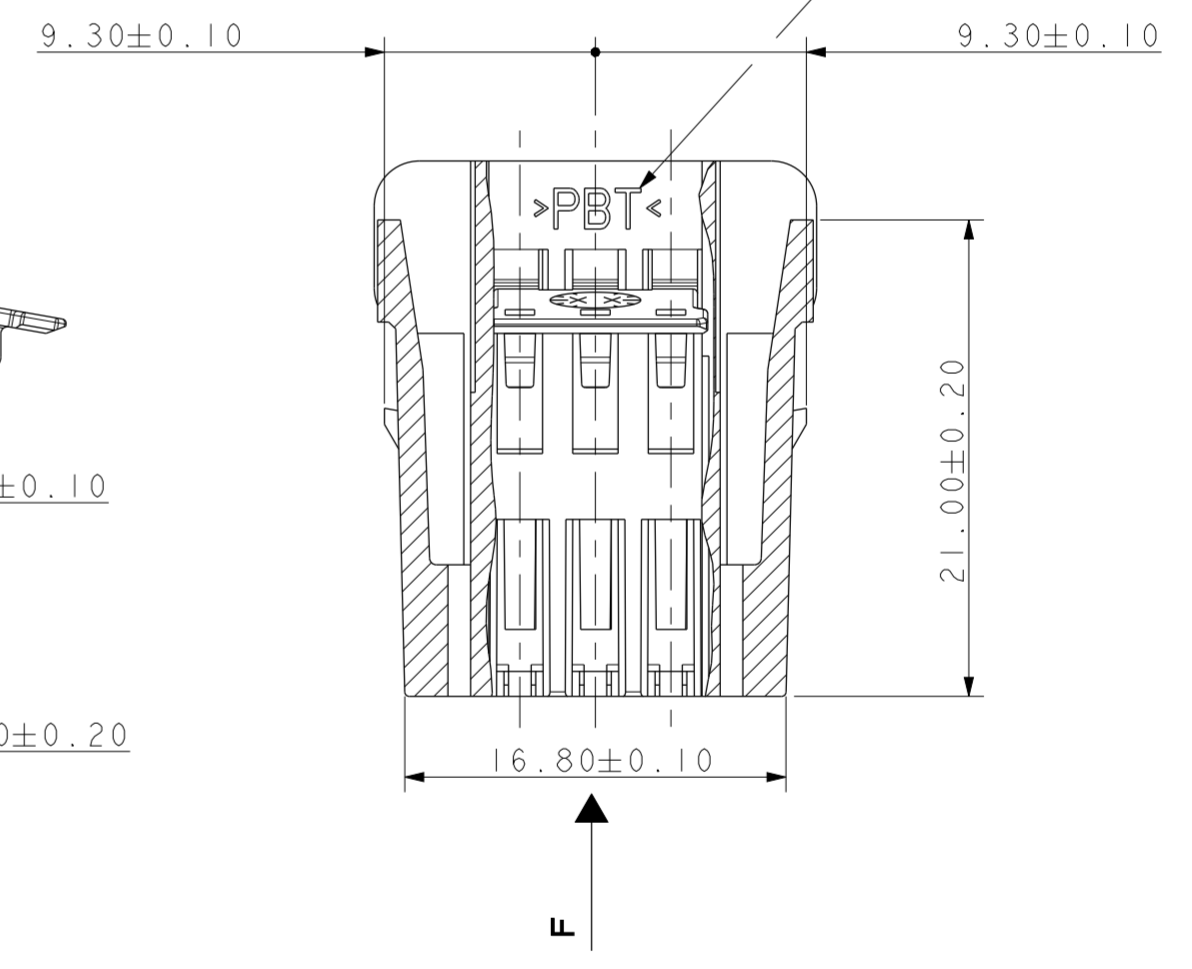
DATEUR Ø 4 mm
DATE STAMP Ø 4

INDICE PIECE
PART ITEM

COUPE PARTIELLE D-D
SECTION D-D



MATIERE
MATERIAL



| | | | | | |
|--|--|-----------------------------------|--|---------------------------------------|--|
| ECN-NO. NUMERO ECN | | POSITION POSITION | | CHANGE DESCRIPTION MODIFICATION | |
| PRODUCT SPEC. SPECIF. PRODUIT | | PACKAGING SPEC. SPECIF. EMBALLAGE | | APPLICATION SPEC. SPECIF. APPLICATION | |
| TOLERANCES TOLERANCES | | MATERIAL : MATIERE : | | SURFACE FINISH ETAT DE SURFACE | |
| COUNTERPART N° CONTRE-PARTIE N° | | COLOUR : COULEUR : | | DELPHI P/N ADDED | |
| DO NOT MEASURE DRAWING NE PAS PRENDRE DE COTES | | TOOL NO. OUTIL N° | | ECO Loc. Code CODE B.E. | |
| CREATED BY CREE PAR | | NAME NOM | | TITLE DESIGNATION | |
| MODIFIED BY MODIF. PAR | | DATE DATE | | PROJECT PROJET | |
| CHECKED BY VERIF. PAR | | APPROVED BY APPR. PAR | | FILE NAME NOM DE FICHIER | |
| DRAWING NUMBER REF. PLAN | | DRAWING NUMBER REF. PLAN | | DRAWING NUMBER REF. PLAN | |
| STATE ETAT | | PART NUMBER REF. ARTICLE | | SCALE ECH. | |
| 211FT0331 | | 211FT0331 | | 211FT0331 | |
| SERIAL RELEASED | | SERIAL RELEASED | | SERIAL RELEASED | |
| See Table | | See Table | | See Table | |

X-ON Electronics

Largest Supplier of Electrical and Electronic Components

Click to view similar products for [Automotive Connectors](#) category:

Click to view products by [APTIV](#) manufacturer:

Other Similar products are found below :

[003-018-000](#) [60403001](#) [60993906-B](#) [629515004020001](#) [M902-2131](#) [M902-2161](#) [72.330.1035.1](#) [73.353.4028.0](#) [F119300-B](#) [F166900](#)
[F258300-B](#) [F358300-B](#) [F407400](#) [F444110](#) [F487000](#) [F509500B-B](#) [827153-1](#) [8N1515-32-24P](#) [9-1326729-8](#) [925474-1](#) [928905-1](#) [964562-4](#)
[968782-1](#) [GT17SA-8DS-HU](#) [98891-1012](#) [98947-1016](#) [12004475-L](#) [12010290](#) [12010309-B](#) [12015454](#) [12020219-B](#) [12020308](#) [12041318-B](#)
[12052225-L](#) [12052466](#) [12059125](#) [12064869](#) [12004327-B](#) [12010503-B](#) [12015308](#) [12015384](#) [12015909](#) [1-21030-1](#) [12041254](#) [12041318](#)
[12047946-B](#) [12047957](#) [12047957-L](#) [12059473](#) [12066261](#)