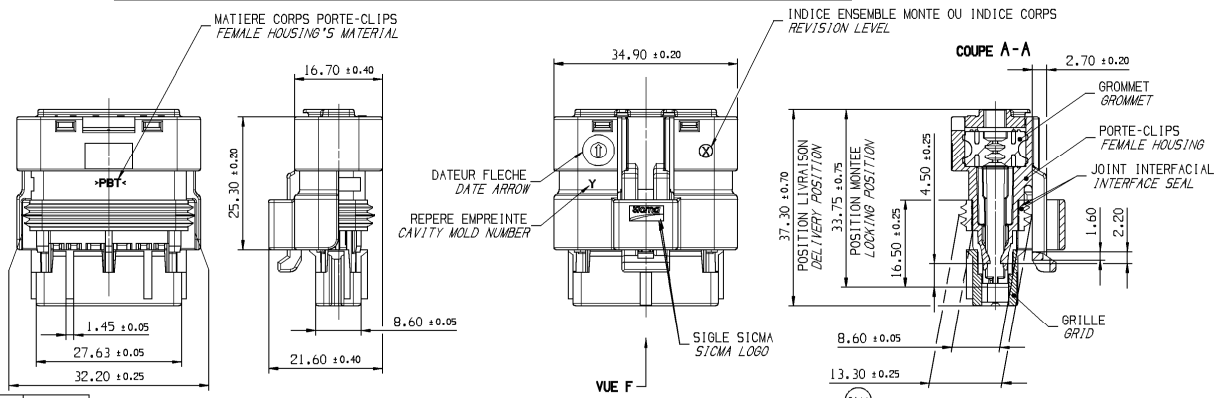
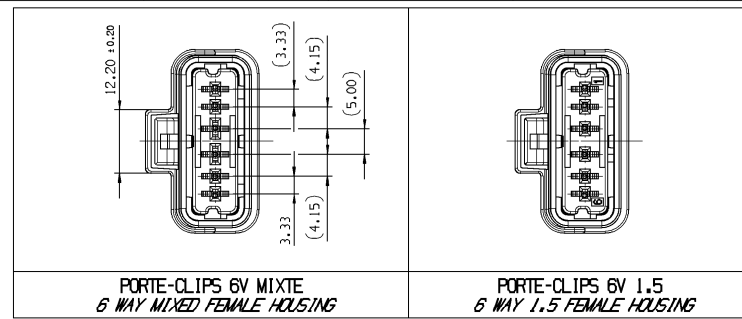
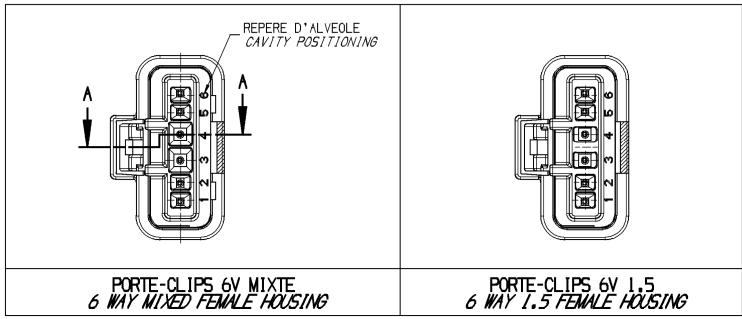


NOTA	SPECIFICATIONS
1	CONNECTEUR DOIT ETRE CONFORME AU CDC: FEMALE CONNECTOR ACCORDING TO PSA SPECIFICATION: 96 236 404 99
2	CONNECTEUR SUIVANT: FEMALE CONNECTOR ACCORDING TO: -CLASSE DE TEMPERATURE T3 SELON B217050 REV A -TEMPERATURE CLASS T3 ACCORDING TO B217050 REV A -CLASSE DE VIBRATION MOTEUR SELON B217050 REV A -ENGINE VIBRATOR CLASS ACCORDING TO B217050 REV A -CLASSE ETANCHEITE 2 SELON B217050 REV A -SEALING CLASS 2 ACCORDING TO B217050 REV A
3	PRECONISATION D'UTILISATION: USER'S MANUAL: PU 071
4	ALVEOLE SUIVANT: CAVITY ACCORDING TO STE: 96 288 230 99
5	CONNECTEUR ET POSITION ALVEOLE CONFORMES AU PLAN D'INTERFACE: FEMALE CONNECTOR AND CAVITY'S POSITION ACCORDING TO: 211FT0289 ET/AND STE 96 339 622 99
6	CONDUCTEUR SUIVANT / WIRE ACCORDING TO: STE : 96 418 794 99
7	CONDITIONNEMENT SUIVANT NORME: PACKAGING ACCORDING TO STANDARD: E73 03 1509
8	DIAMETRE DE FILS / WIRE DIAMETER Ø 1.5 MINI=1,40 MAXI=2,80 Ø 2.8 MINI=1,60 MAXI=3,45
9	MASSE DU PRODUIT LIVRABLE / DELIVERY CONNECTOR WEIGHT: 12g
10	CHARNIERE DE PLAQUETTE ARRIERE ABSENTE OU CASSEE ADMISE NO WAFER HINGE OR WAFER HINGE BROKEN ALLOWED
11	DEFAUTS D'ASPECT SUR ZONES NON FONCTIONNELLES ADMIS VISUAL DEFECTS ON NO FUNCTIONAL AREAS ALLOWED



REF. ORIGINE LEBACYS REFERENCE	REF. ORIGINE DELPHI'S REFERENCE	MATIERE MATERIAL	COULEUR COLOUR	
PORTE-CLIPS 6V 1.5 FEMALE HOUSING ON 1.5	211 I 8 077	33501298	PBT 0% FV PBT 0% GF GRIS GREY	
	211 M 1 125	33501311	MARRON BROWN	
	211 M 4 125	15537747	PBT 15% FV PBT 15% GF JAUNE YELLOW	
	211 M 5 125	33508061	VERT GREEN	
	211 M 137	33501312	SILICONE 305H SILICON 305H BLEU BLUE	
PORTE-CLIPS 6V MIXTE FEMALE HOUSING ON MIXED	211 I 0 075	33501295	PBT 0% FV PBT 0% GF NOIR BLACK	
	211 M 0 123	33501301	NOIR BLACK	
	211 M 6 123	33508062	PBT 15% FV PBT 15% GF BLEU BLUE	
	211 M 8 123	33501317	GRIS GREY	
	211 M 110	33501310	SILICONE 305H SILICON 305H VERT GREEN	
JOINT INTERFACIAL INTERFACE SEAL		211 M 077	33501306	SILICONE 305H SILICON 305H BLEU BLUE



PORTE-CLIPS 6V MIXTE 6 WAY MIXED FEMALE HOUSING			PORTE-CLIPS 6V 1.5 6 WAY 1.5 FEMALE HOUSING			VUE F VIEW F ±0.10
6.65 8.15	12.30 2.50	4.00 10.80	2.50 8.15	6.65 4.00	10.80 12.30	
NOIR BLACK	BLEU BLUE	GRIS GREY	MARRON BROWN	JAUNE YELLOW	VERT GREEN	COULEUR COLOUR
211 PC 06 95 0 149	211 PC 06 95 6 149	211 PC 06 9 5 8 149	211 PC 06 2 5 1 149	211 PC 06 2 5 4 149	211 PC 06 2 5 5 149	PART NUMBER
A	A	A	A	A	A	M/L
10866611	10866612	10866614	10865112	10866616	10866615	PART NUMBER
01	01	01	01	01	01	PART REVISION

3D VIEW

ECHELLE 1:1
SCALE 1:1
CODAGE NOIR REPRESENTE
BLACK CODING REPRESENTED

UNLESS OTHERWISE SPECIFIED

GENERAL TOLERANCES
ACCORDING TO:
±0.1 ±0.2

GO&T
ACCORDING TO:

LA LIGNE TRACÉE SUR LA REFERENCE
PIECE INDIQUE QUE LA PIECE NEST PAS
DISPONIBLE A LA COMMANDE.

LES REFERENCES PRECIS QUI NE SONT PAS BARRIES
INDIQUENT QUE CELLES-CI SONT DISPONIBLES
PHYSIQUEMENT POUR ETRE COMMANDEES.

CONTRACTER LE SERVICE COMMERCIAL DE DELPHI
POUR SASSURER DE LA DISPONIBILITE DES PIECES

R 0.2 MAX

SHARP CORNER TOLERANCE

DO NOT SCALE

USE MATH DATA

DO NOT SCALE

USE MATH DATA

DWG STATUS	DATE	STG	REV	N/P	CHG	ZONE	REVISION HISTORY	AUTH	DR	AP/0 1	AP/0 2
24JA15	R	01					FILE TRANSLATED FROM IWL SYSTEM		DGL	DGL	DGL
18JA18	R	01	AA			0210	REPAIR IN IWL DELPHI P/N ADDED DIMENSION WAS 13.80±0.25		A.A.RAJU.S.THO	0.60L	

DELPHI
DELPHI PACKARD ELECTRICAL/ELECTRONIC ARCHITECTURE
Chennai, India
COPYRIGHT 2018 DELPHI CORPORATION AND/OR ITS AFFILIATES.
ALL RIGHTS RESERVED.
THIS DRAWING IS THE PROPERTY OF DELPHI CORPORATION AND CONTAINS DELPHI CONFIDENTIAL INFORMATION. THE REPRODUCTION, DISTRIBUTION AND UTILIZATION OF THIS DOCUMENT OR ITS RELATED CAD DATA, AS WELL AS COMMUNICATION OF ANY CONTENT TO OTHERS, WITHOUT EXPRESS AUTHORIZATION, IS PROHIBITED.
CE PLAN EST LE PROPRIETE DE DELPHI CORPORATION ET CONTIENT DES INFORMATIONS PERME CONFIDENTIELLES. LA REPRODUCTION ET L'UTILISATION DE CE DOCUMENT OU DE SES DONNEES INTERIEURES CAD, ANSI QUE LA COMMUNICATION DE TOUT CONTENU A AUTRI, SANS AUTORISATION EXPRESSE EST INTERDIT.

DR	DE MATOS	DATE
AP/01	S LACOTE	31OC03
AP/02	Pascal MENARD	19MA13
AP/03		
AP/04		
AP/05		

WATERIAL
SEE TABLE

DRAWING NAME
6-WAY HYBRID FEMALE CONNECTOR

MINI SEALED "NM" FEMALE CONNECTOR

DRAWING NUMBER
10858268

SIZE	SCALE	FRAME NO	SHEET NO	STG	REV	N/P
A1	2:1	1 OF 1	1 OF 1	R	01	AA

X-ON Electronics

Largest Supplier of Electrical and Electronic Components

Click to view similar products for [Automotive Connectors](#) category:

Click to view products by [APTIV](#) manufacturer:

Other Similar products are found below :

[003-018-000](#) [60403001](#) [60993906-B](#) [629515004020001](#) [M902-2131](#) [M902-2161](#) [72.330.1035.1](#) [73.353.4028.0](#) [F119300-B](#) [F166900](#)
[F258300-B](#) [F358300-B](#) [F407400](#) [F444110](#) [F487000](#) [F509500B-B](#) [827153-1](#) [8N1515-32-24P](#) [9-1326729-8](#) [925474-1](#) [928905-1](#) [964562-4](#)
[968782-1](#) [GT17SA-8DS-HU](#) [98891-1012](#) [98947-1016](#) [12004475-L](#) [12010290](#) [12010309-B](#) [12015454](#) [12020219-B](#) [12020308](#) [12041318-B](#)
[12052225-L](#) [12052466](#) [12059125](#) [12064869](#) [12004327-B](#) [12010503-B](#) [12015308](#) [12015384](#) [12015909](#) [1-21030-1](#) [12041254](#) [12041318](#)
[12047946-B](#) [12047957](#) [12047957-L](#) [12059473](#) [12066261](#)