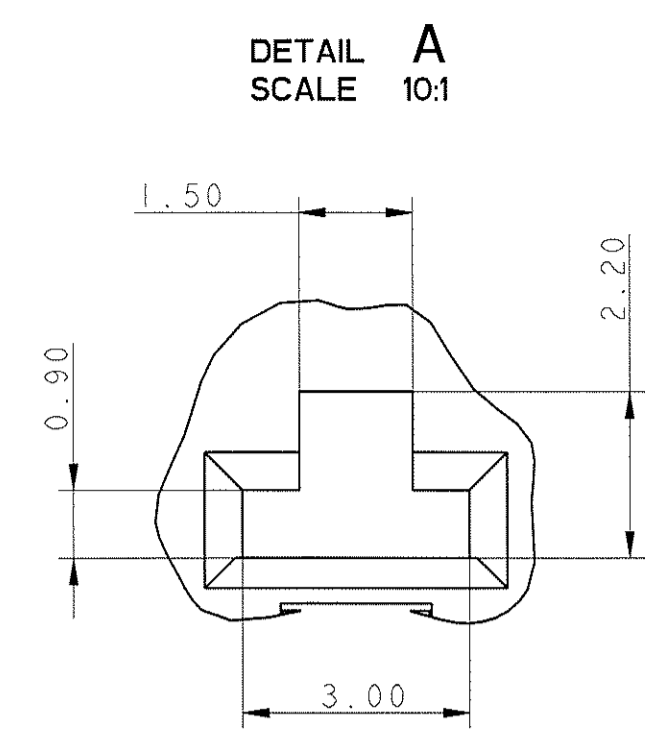
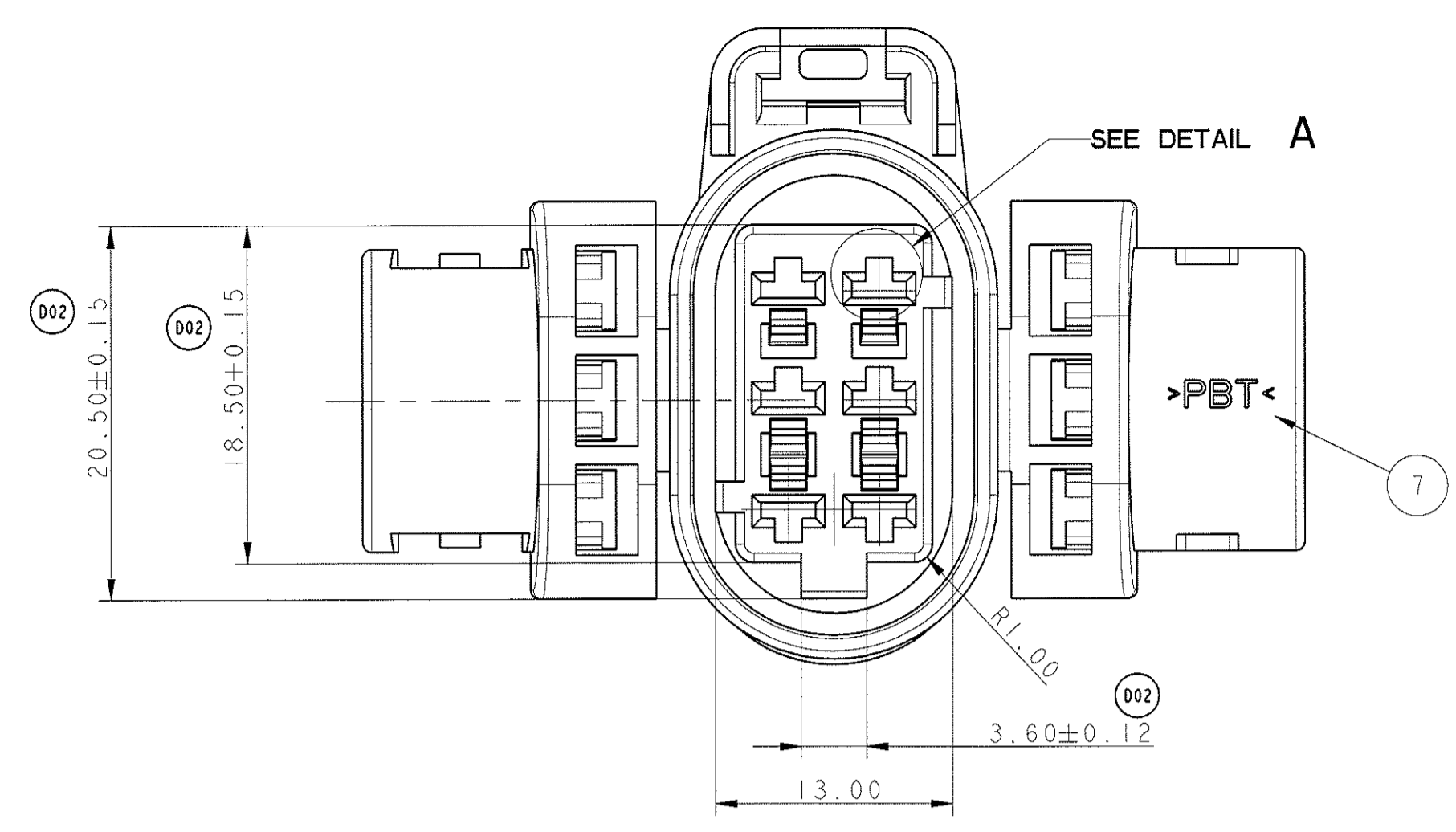
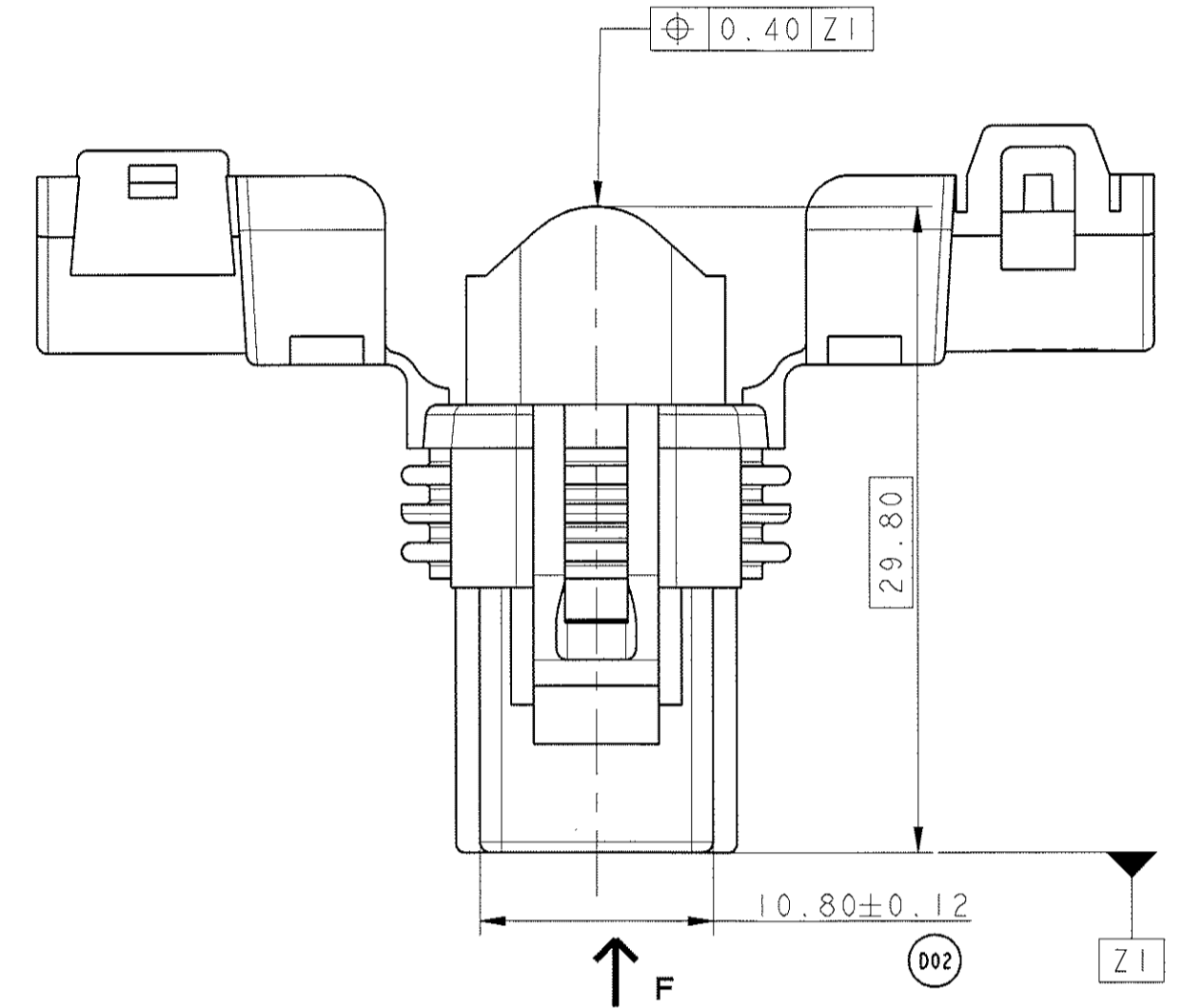
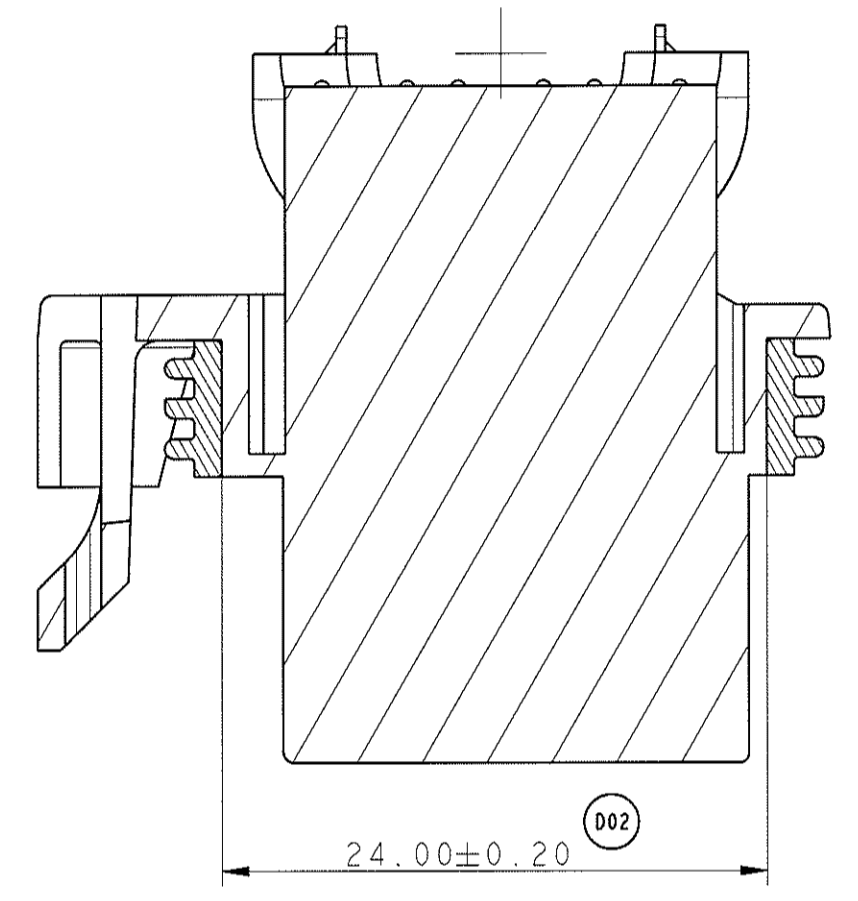


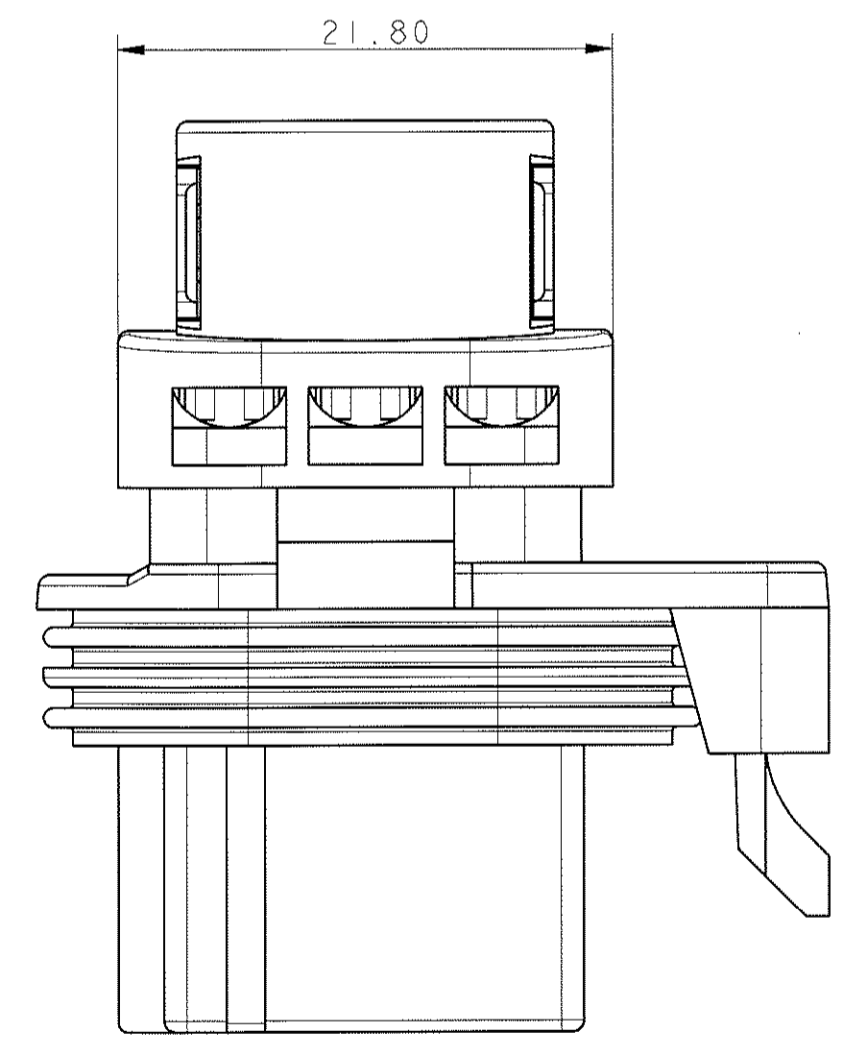
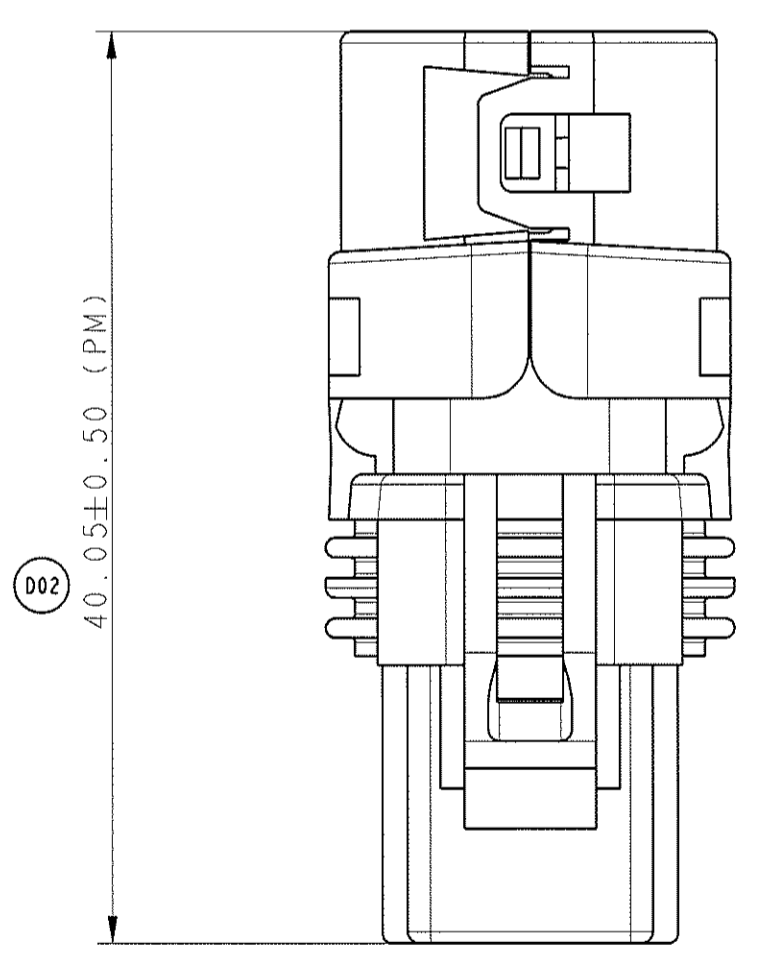
SCALE 1:1



SECTION A-A

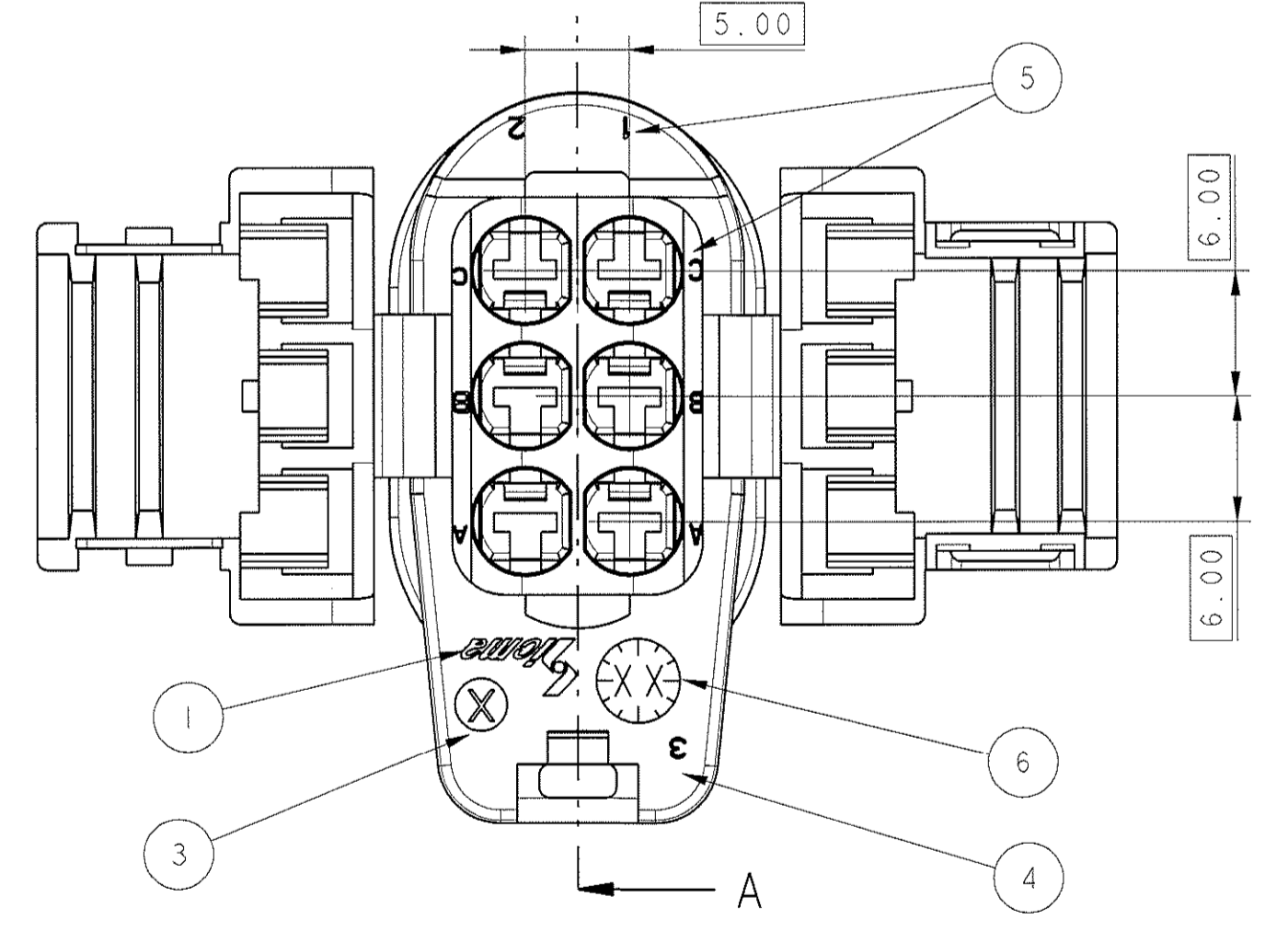
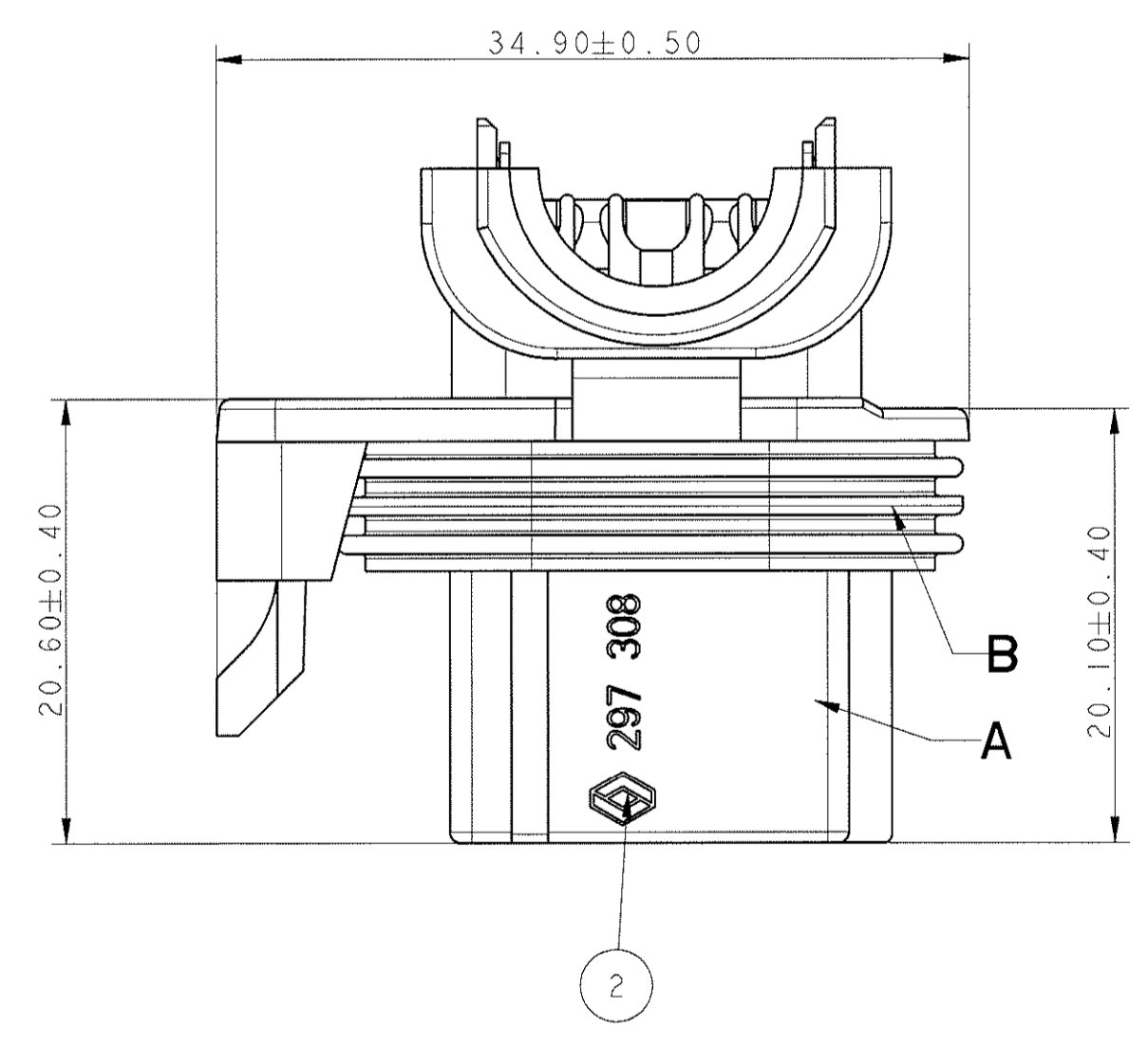


SCALE 3:1 FLAP CLOSED



NOMENCLATURE / PARTS LIST					
REP	QUANTITE / QUANTITY	DESIGNATION	MATIERE / MATERIAL	COULEUR / COLOUR	REF FCI / FCI P/N
B	1	JOINT INTERFACIAL INTERFACE SEAL	SILICON	VERT GREEN	211 M 018
				CRISTAL WHITE	211 I 9 056
A	1	PORTE CLIPS FEMALE HOUSING	PBT	MARRON BROWN	211 I 1 002
				GRIS GREY	211 I 8 002
				NOIR BLACK	211 I 0 002

MARQUAGES / MARKING	
1	SIGLE SIGMA / LOGO SIGMA
2	SIGLE RENAULT / LOGO RENAULT
3	INDICE ENSEMBLE MONTE OU INDICE CORPS: INDICE MAJEUR DU PLAN / REVISION LEVEL: MAJOR INDEX OF THE PLAN
4	REPERE D'EMPREINTE / CAVITY MOLD POSITION
5	REPERE D'ALVEOLE / CAVITY POSITION
6	DATEUR (XX: ANNEE) / DATE INDICATOR (XX: YEAR)
7	CODE MATIERE PC / MATERIAL FOR HOUSING



DETROMPAGE PORTE CLIPS
 LOCATING DEVICE FEMALE HOUSING

ALVEOLES 2A ET 2B BOUCHEES
 CAVITY 2A AND 2B CLOSED

CODAGE SUIVANT VUE F / CODING ACCORDING TO VIEW F	9.50 ^{+0.25} ₀		4.70 ^{+0.20} ₀		4.70 ^{+0.20} ₀		9.50 ^{+0.25} ₀	
	12.90 ⁰ _{-0.25}		8.10 ⁰ _{-0.20}		8.10 ⁰ _{-0.20}		12.90 ⁰ _{-0.25}	
ECHELLE: 3/2 / SCALE: 3/2								
MASSE (g) / WEIGHT (g)	8.00		8.00		8.00		8.00	
Réf. FCI	211 PC 06 3 S 0 003 (D02)		211 PC 06 3 S 8 003 (D02)		211 PC 06 3 S 1 003		211 PC 06 3 S 9 018	
COULEUR CORPS / COLOR BODY	NOIR / BLACK		GRIS / GREY		MARRON / BROWN		CRISTAL / WHITE	
CODAGE / CODING	NOIR / BLACK		GRIS / GREY		MARRON / BROWN		NOIR / BLACK	

A 07 037	10/09/07	D02	AIS	UPDATE P/N FCI WHIT CODING BLACK AND GREY.	TECHNE		
				UPDATE			
				CHANGE CAD SYSTEM: TOPCAD-->PROVE			
				DM 07-021 (06/09/07)			
TECH. NO. / NUMERO TECH.	DATE / DATE	REV. / INDEX	POSITION / POSITION	CHANGE DESCRIPTION / MODIFICATION	DRAWN BY / DESINEUR	CHECKED BY / VERIFIEUR	
PRODUCT SPEC. / SPECIF. PRODUIT	PACKAGING SPEC. / SPECIF. EMBALLAGE	APPLICATION SPEC. / SPECIF. APPLICATION	THIS DRAWING AND ALL OTHER INFORMATION CONTAINED THEREIN IS PROPRIETARY AND THE PROPERTY OF FCI. This drawing may not be copied, reproduced or disclosed to any third party without the expressed written permission of FCI. © FCI April 1998		CE PLAN ET LES INFORMATIONS CONTENUES DANS CE PLAN SONT PROPRIETAIRES ET LA PROPRIETE DE FCI. Ce plan ne peut être copié, reproduit ou communiqué à un tiers sans l'autorisation écrite de FCI. © FCI Avril 1998	ISO PRODUCTION / PRODUCTION ISO	CAD SYSTEM / SYSTEME CAD
TOLERANCES / TOLERANCES	±0.2 ±0.2	MATERIAL / MATIERE	SEE TABLE	SURFACE FINISH / ETAT DE SURFACE	FE	FCI	ISO PRODUCTION / PRODUCTION ISO
COUNTERPART NO. / NUMERO DE COTE		COLOUR / COULEUR	SEE TABLE	TECH. NO. / NUMERO TECH.	FE		ISO PRODUCTION / PRODUCTION ISO
DO NOT SCALE DRAWING / NE PAS TRICHER DE COTES		TECH. NO. / NUMERO TECH.		FILE DESIGNATION	6/4 WAY 28 x 08 FEMALE HOUSING WITH CAM	211 FT 0091	ISO PRODUCTION / PRODUCTION ISO
DRAWN BY / DESINEUR	04/11/97	NAME / NOM	PB	DRAWING NUMBER / NUMERO DE DROUILLAGE	211 FT 0091		ISO PRODUCTION / PRODUCTION ISO
CHECKED BY / VERIFIEUR		FILE NAME / NOM DE FICHIER		SCALE / ECHELLE	2:1		ISO PRODUCTION / PRODUCTION ISO
APPROVED BY / APPROBATION		FILE NO. / NUMERO FCI	FRA-0040	SCALE / ECHELLE	2:1		ISO PRODUCTION / PRODUCTION ISO
		FILE NO. / NUMERO FCI	FRA-0040	SCALE / ECHELLE	2:1		ISO PRODUCTION / PRODUCTION ISO

X-ON Electronics

Largest Supplier of Electrical and Electronic Components

Click to view similar products for [Automotive Connectors](#) category:

Click to view products by [APTIV](#) manufacturer:

Other Similar products are found below :

[003-018-000](#) [60403001](#) [60993906-B](#) [629515004020001](#) [M902-2131](#) [M902-2161](#) [72.330.1035.1](#) [73.353.4028.0](#) [F119300-B](#) [F166900](#)
[F258300-B](#) [F358300-B](#) [F407400](#) [F444110](#) [F487000](#) [F509500B-B](#) [827153-1](#) [8N1515-32-24P](#) [9-1326729-8](#) [925474-1](#) [928905-1](#) [964562-4](#)
[968782-1](#) [GT17SA-8DS-HU](#) [98891-1012](#) [98947-1016](#) [12004475-L](#) [12010290](#) [12010309-B](#) [12015454](#) [12020219-B](#) [12020308](#) [12041318-B](#)
[12052225-L](#) [12052466](#) [12059125](#) [12064869](#) [12004327-B](#) [12010503-B](#) [12015308](#) [12015384](#) [12015909](#) [1-21030-1](#) [12041254](#) [12041318](#)
[12047946-B](#) [12047957](#) [12047957-L](#) [12059473](#) [12066261](#)