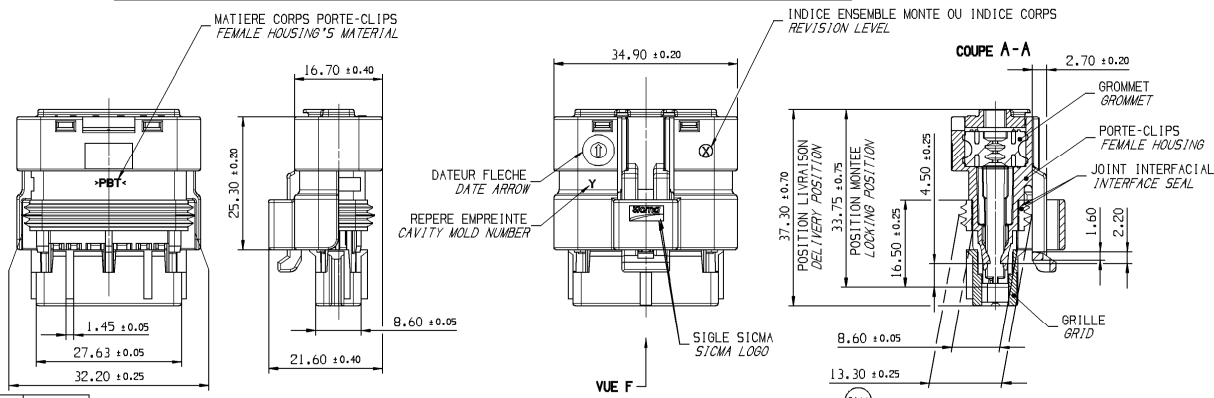
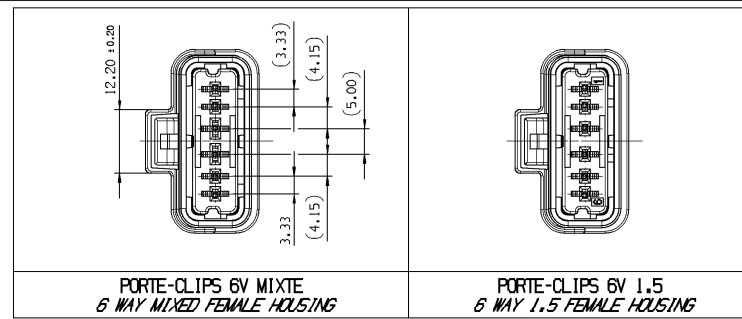
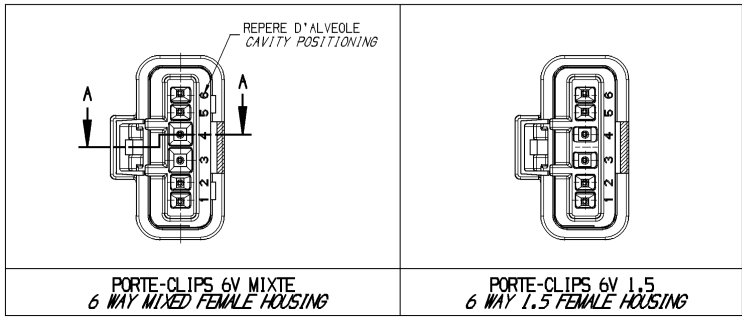


NOTA NOTE	SPECIFICATIONS
1	CONNECTEUR DOIT ETRE CONFORME AU CDC: FEMALE CONNECTOR ACCORDING TO PSA SPECIFICATION: 96 236 404 99
2	CONNECTEUR SUIVANT: FEMALE CONNECTOR ACCORDING TO: -CLASSE DE TEMPERATURE T3 SELON B217050 REV A -TEMPERATURE CLASS T3 ACCORDING TO B217050 REV A -CLASSE DE VIBRATION MOTEUR SELON B217050 REV A -ENGINE VIBRATOR CLASS ACCORDING TO B217050 REV A -CLASSE ETANCHEITE 2 SELON B217050 REV A -SEALING CLASS 2 ACCORDING TO B217050 REV A
3	PRECONISATION D'UTILISATION: USER'S MANUAL : PU 071
4	ALVEOLE SUIVANT: CAVITY ACCORDING TO STE: 96 288 230 99
5	CONNECTEUR ET POSITION ALVEOLE CONFORMES AU PLAN D'INTERFACE: FEMALE CONNECTOR AND CAVITY'S POSITION ACCORDING TO: 211FT0289 ET/AND STE 96 339 622 99
6	CONDUCTEUR SUIVANT / WIRE ACCORDING TO: STE : 96 418 794 99
7	CONDITIONNEMENT SUIVANT NORME: PACKAGING ACCORDING TO STANDARD: E73 03 1509
8	DIAMETRE DE FILS / WIRE DIAMETER Ø 1.5 MINI=1.40 MAXI=2.80 Ø 2.8 MINI=1.60 MAXI=3.45
9	MASSE DU PRODUIT LIVRABLE / DELIVERY CONNECTOR WEIGHT: 12g
10	CHARNIERE DE PLAQUETTE ARRIERE ABSENTE OU CASSEE ADMISE NO WAFER HINGE OR WAFER HINGE BROKEN ALLOWED
11	DEFAUTS D'ASPECT SUR ZONES NON FONCTIONNELLES ADMIS VISUAL DEFECTS ON NO FUNCTIONAL AREAS ALLOWED



PORTÉ-CLIPS FEMALE HOUSING	GRILLE GRID	GROMMET GROMMET	JOINT INTERFACIAL INTERFACE SEAL	PORTÉ-CLIPS FEMALE HOUSING	GRILLE GRID	GROMMET GROMMET	JOINT INTERFACIAL INTERFACE SEAL	DESIGNATION DESCRIPTION	REF. ORIGINE LEBACYS REFERENCE	REF. ORIGINE DELPHI'S REFERENCE	MATIERE MATERIAL	COULEUR COLOUR
211 I 8 077	211 M 1 125	211 M 137	211 M 077	211 I 0 075	211 M 0 123	211 M 110	211 M 077					
33501298	33501311	33501312	33501306	33501295	33501301	33501310	33501306					
PBT 0%, FV PBT 0%, GF	PBT 15%, FV PBT 15%, GF	SILICONE 305H SILICON 305H	SILICONE 305H SILICON 305H	PBT 0%, FV PBT 0%, GF	PBT 15%, FV PBT 15%, GF	SILICONE 305H SILICON 305H	SILICONE 305H SILICON 305H					
GRIS GREY	MARRON BROWN	BLEU BLUE	BLEU BLUE	NOIR BLACK	BLEU BLUE	VERT GREEN	BLEU BLUE					



PORTÉ-CLIPS 6V MIXTE 6 WAY MIXED FEMALE HOUSING			PORTÉ-CLIPS 6V 1.5 6 WAY 1.5 FEMALE HOUSING			VUE F VIEW F ±0.10	PART NUMBER	ML
6.65 8.15	12.30 2.50	4.00 10.80	2.50 8.15	6.65 4.00	10.80 12.30			
NOIR BLACK	BLEU BLUE	GRIS GREY	MARRON BROWN	JAUNE YELLOW	VERT GREEN			
211 PC 06 95 0 149	211 PC 06 95 6 149	211 PC 06 9 5 8 149	211 PC 06 2 5 1 149	211 PC 06 2 5 4 149	211 PC 06 2 5 5 149			
A	A	A	A	A	A			
10866611	10866612	10866614	10865112	10866616	10866615			
01	01	01	01	01	01			

3D VIEW

ECHELLE 1:1
SCALE 1:1
CODAGE NOIR REPRESENTE
BLACK CODING REPRESENTED

UNLESS OTHERWISE SPECIFIED

GENERAL TOLERANCES
ACCORDING TO:
±0.1 ±0.2

GO&T
ACCORDING TO:

LA LIGNE TRACÉE SUR LA REFERENCE
PIECE INDIQUE QUE LA PIECE NEST PAS
DISPONIBLE A LA COMMANDE.

LES REFERENCES PRECIS QUI NE SONT PAS BARRÉES
INDIQUENT QUE CELLES-CI SONT DISPONIBLES
PHYSIQUEMENT POUR ETRE COMMANDEES.

CONTRACTER LE SERVICE COMMERCIAL DE DELPHI
POUR SASSURER DE LA DISPONIBILITE DES PRECIS

R 0.2 MAX

R 0.1 MAX

SHARP CORNER TOLERANCE

DO NOT SCALE

USE MATH DATA

DO NOT CHECK
COTES A VERIFIER

DO NOT FOR HELP
COTES POUR INFO

THEORETIC DIM
COTES THEORIQUES

DWG STATUS		ZONE	REVISION HISTORY			AUTH	DR	AP/0 1	AP/0 2
DATE	STG	REV	N/P	CHG					
24JA15	R	01			FILE TRANSLATED FROM IWL SYSTEM		DGL	DGL	DGL
18JA18	R	01	AA		REPAIR IN IWL DELPHI P/N ADDED DIMENSION WAS 13.80±0.25		A.RAJU.S	THO	O.GOL

DELPHI
DELPHI PACKARD ELECTRICAL/ELECTRONIC ARCHITECTURE
Chennai, India

COPYRIGHT 2018 DELPHI CORPORATION AND/OR ITS AFFILIATES.
ALL RIGHTS RESERVED.

THIS DRAWING IS THE PROPERTY OF DELPHI CORPORATION
AND CONTAINS DELPHI CONFIDENTIAL INFORMATION.
THE REPRODUCTION, DISTRIBUTION AND UTILIZATION
OF THIS DOCUMENT OR ITS RELATED CAD DATA,
AS WELL AS COMMUNICATION OF ANY CONTENT TO OTHERS,
WITHOUT EXPRESS AUTHORIZATION, IS PROHIBITED.

CE PLAN EST LE PROPRIETE DE DELPHI CORPORATION ET CONTIENT DES
INFORMATION PERME CONFIDENTIELLES. LA REPRODUCTION
ET UTILISATION DE CE DOCUMENT OU DE SES DONNEES INFORMATIQUES CAD,
ANSI QUE LA COMMUNICATION DE TOUT CONTENU A AUTRI, SANS AUTORISATION
EXPRESSE EST INTERDIT.

DR	DE MATOS	DATE
AP/01	S LACOTE	31OC03
AP/02	Pascal MENARD	19MA13
AP/03		
AP/04		
AP/05		

WATERIAL
SEE TABLE

DRAWING NAME
6-WAY HYBRID FEMALE CONNECTOR

MINI SEALED "NM" FEMALE CONNECTOR

DRAWING NUMBER
10858268

SIZE	SCALE	FRAME NO	SHEET NO	STG	REV	N/P
A1	2:1	1 OF 1	1 OF 1	R	01	AA

X-ON Electronics

Largest Supplier of Electrical and Electronic Components

Click to view similar products for [Automotive Connectors](#) category:

Click to view products by [APTIV](#) manufacturer:

Other Similar products are found below :

[003-018-000](#) [60403001](#) [60993906-B](#) [629515004020001](#) [M902-2131](#) [M902-2161](#) [72.330.1035.1](#) [73.353.4028.0](#) [F119300-B](#) [F166900](#)
[F258300-B](#) [F358300-B](#) [F407400](#) [F444110](#) [F487000](#) [F509500B-B](#) [827153-1](#) [8N1515-32-24P](#) [9-1326729-8](#) [925474-1](#) [928905-1](#) [964562-4](#)
[968782-1](#) [GT17SA-8DS-HU](#) [98891-1012](#) [98947-1016](#) [12004475-L](#) [12010290](#) [12010309-B](#) [12015454](#) [12020219-B](#) [12020308](#) [12041318-B](#)
[12052225-L](#) [12052466](#) [12059125](#) [12064869](#) [12004327-B](#) [12010503-B](#) [12015308](#) [12015384](#) [12015909](#) [1-21030-1](#) [12041254](#) [12041318](#)
[12047946-B](#) [12047957](#) [12047957-L](#) [12059473](#) [12066261](#)