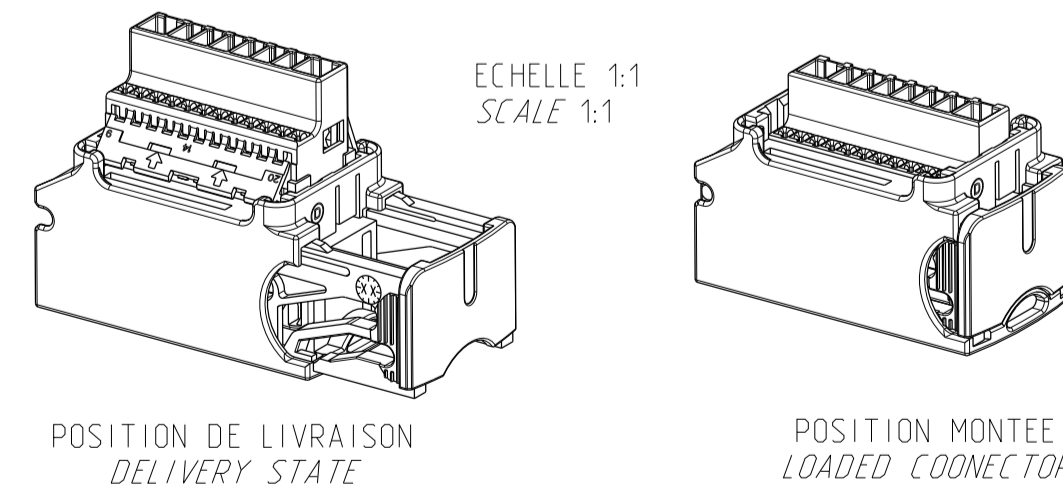
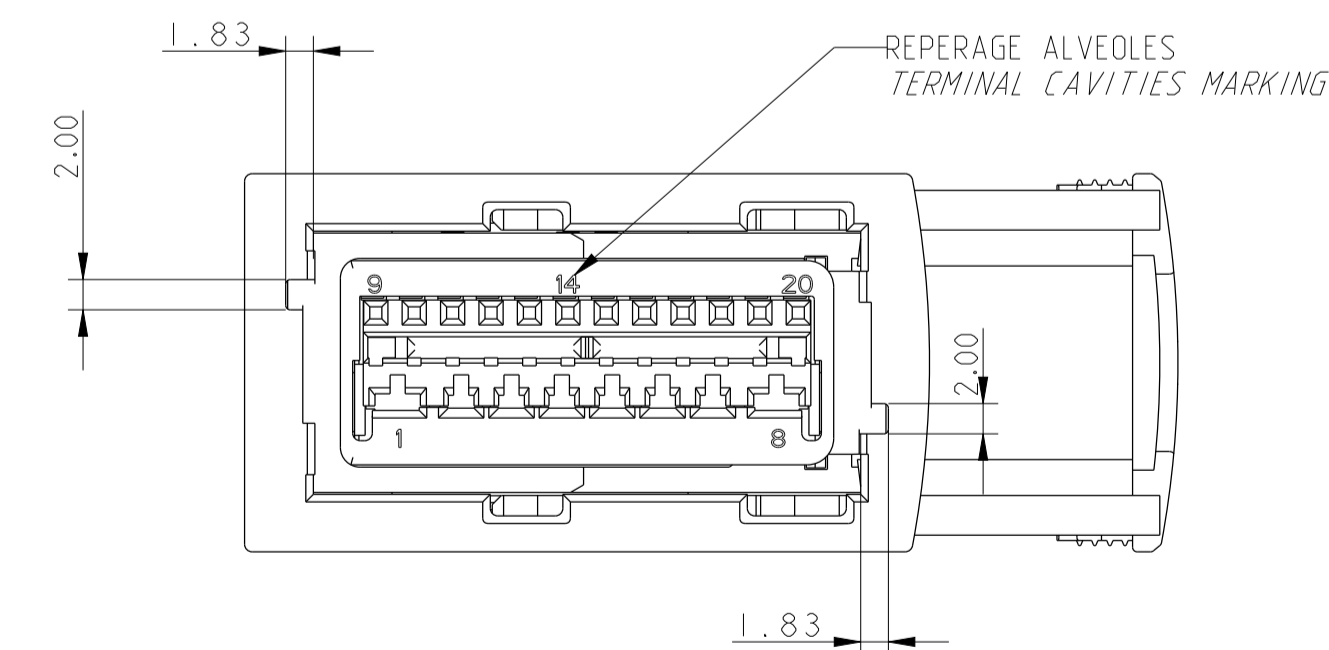
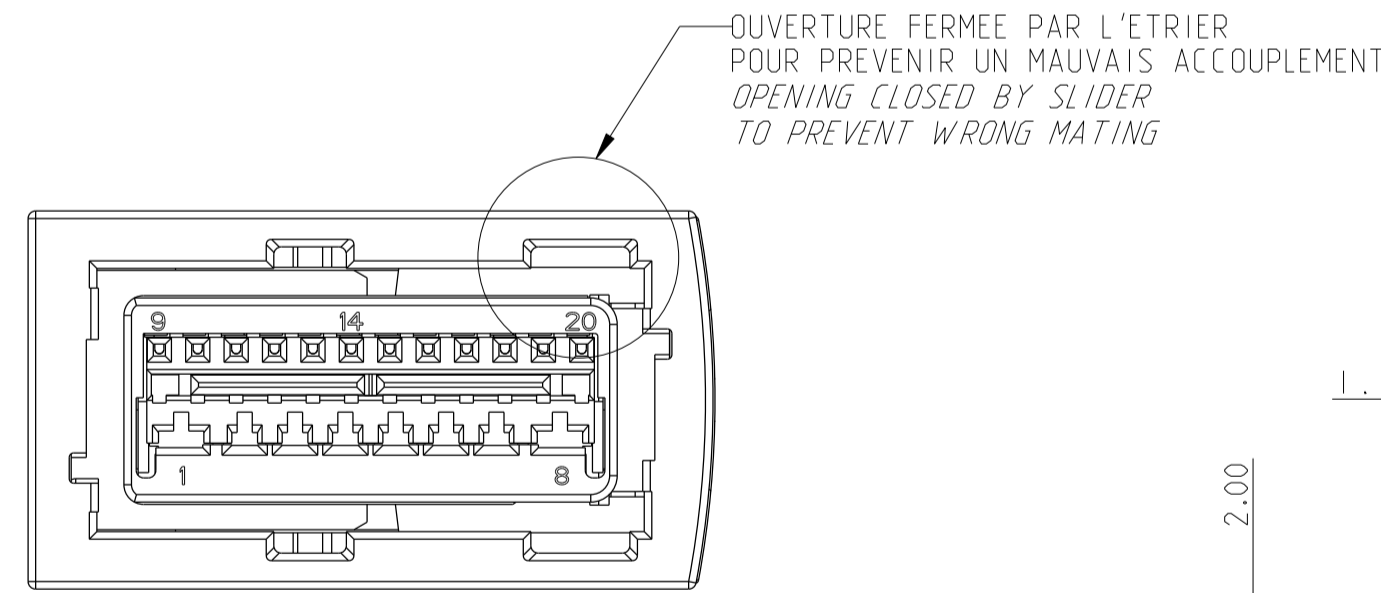
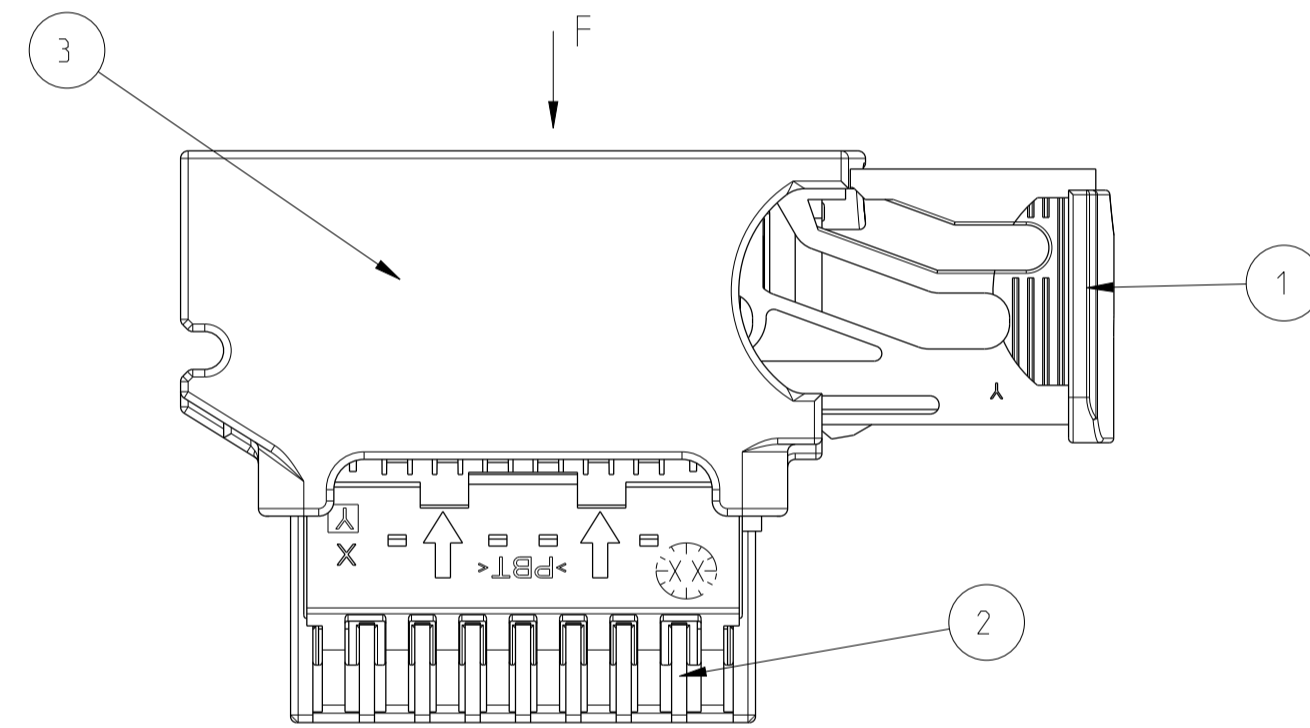
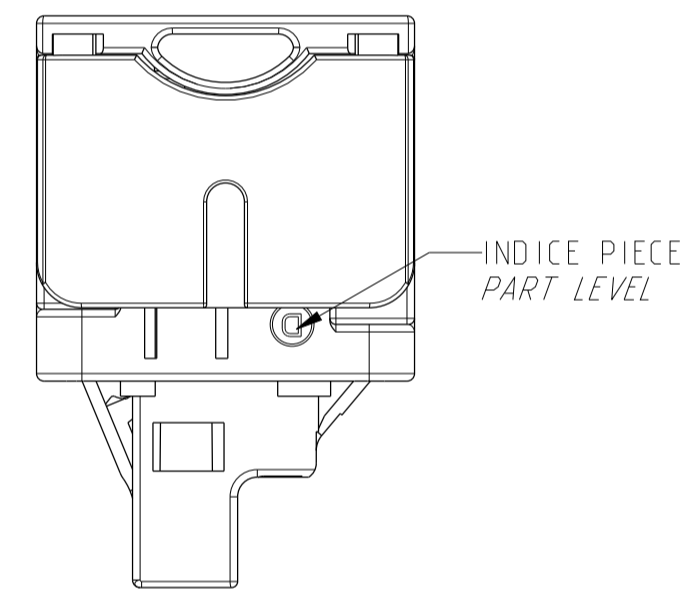


38.00 MAXI POSITION DE LIVRAISON / DELIVERY STATE  
28.70 MAXI POSITION MONTÉE / LOADED CONNECTOR



N°	DESIGNATION	MATIERE / MATERIAL	COULEUR / COLOUR	REF
1	ETRIER / SLIDER	PA 6/6 30%	BLEU / BLUE	211 M 6 135
2	MODULE TERMINAL CARRIER	PBT 0%	NOIR / BLACK	211 I 0 082
3	PORTE MODULE FEMALE HOUSING	PBT 15%	JAUNE / YELLOW ORANGE ROUGE / RED ROSE / PINK	211 I 4 081 211 I 3 081 211 I 2 081 211 I R 081

ROUGE / RED	ORANGE	JAUNE / YELLOW	ROSE / PINK	COULEUR / COLOUR
211 PC 20 9 S 2 055	211 PC 20 9 S 3 055	211 PC 20 9 S 4 055	211 PC 20 9 S R 055	REF. MVL
D	D	D	D	IND. / REV.
10866581	13677058	10847065	13985308	REF. DELPHI
02	02	02	01	IND. / REV.

CODAGE JAUNE REPRESENTE  
YELLOW CODING SHOWN

ECN-NO / NUMBER ECH	POSITION	CHANGE DESCRIPTION / MODIFICATION
-	-	INITIAL RELEASE
PROJECT SPEC: PACKAGING SPEC: APPLICATION SPEC: COPYRIGHT DELPHI CORPORATION AND/OR ITS AFFILIATES. ALL RIGHTS RESERVED. REVISED THIS DRAWING IS THE PROPERTY OF DELPHI CORPORATION AND CONTAINS DELPHI CONFIDENTIAL INFORMATION. THE REPRODUCTION, DISTRIBUTION AND RELEASE OF THIS DOCUMENT OR ITS CONTENTS WITHOUT THE WRITTEN PERMISSION OF DELPHI CORPORATION IS PROHIBITED.		
TOLERANCES / TOLERANCES	±0.1 ±0.2	MATERIAL: SEE TABLE / MATIERE: SEE TABLE
CONTRIBUTOR / CONTRIBUTEUR	DELPHI	DELPHI PACKARD ELECTRICAL/ELECTRONIC ARCHITECTURE
DATE	2020-06-19	PROJETS / PROJETS
APP. PAR / APPR. BY	201500015	20W HYBRID CONNECTOR
FILE NAME	PCC0828890	DRAWING NUMBER / REF. PLAN: PCC0828890

## X-ON Electronics

Largest Supplier of Electrical and Electronic Components

*Click to view similar products for [Automotive Connectors](#) category:*

*Click to view products by [APTIV](#) manufacturer:*

Other Similar products are found below :

[003-018-000](#) [60403001](#) [60993906-B](#) [629515004020001](#) [M902-2131](#) [M902-2161](#) [72.330.1035.1](#) [73.353.4028.0](#) [F119300-B](#) [F166900](#)  
[F258300-B](#) [F358300-B](#) [F407400](#) [F444110](#) [F487000](#) [F509500B-B](#) [827153-1](#) [8N1515-32-24P](#) [9-1326729-8](#) [925474-1](#) [928905-1](#) [964562-4](#)  
[968782-1](#) [GT17SA-8DS-HU](#) [98891-1012](#) [98947-1016](#) [12004475-L](#) [12010290](#) [12010309-B](#) [12015454](#) [12020219-B](#) [12020308](#) [12041318-B](#)  
[12052225-L](#) [12052466](#) [12059125](#) [12064869](#) [12004327-B](#) [12010503-B](#) [12015308](#) [12015384](#) [12015909](#) [1-21030-1](#) [12041254](#) [12041318](#)  
[12047946-B](#) [12047957](#) [12047957-L](#) [12059473](#) [12066261](#)