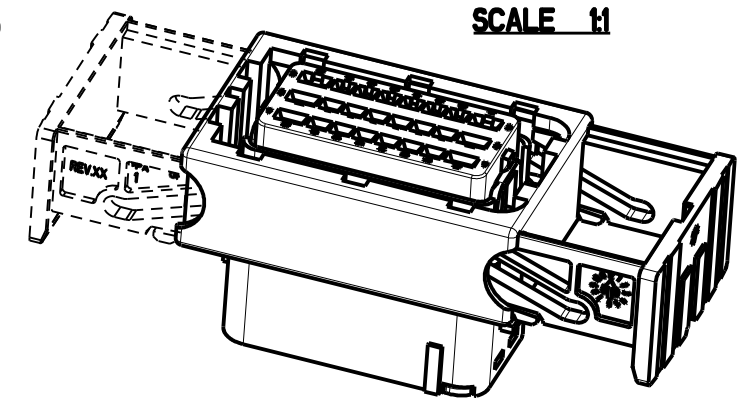
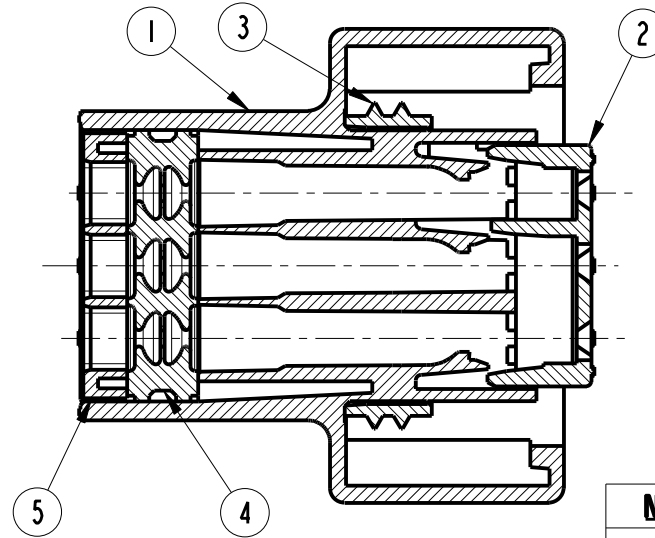
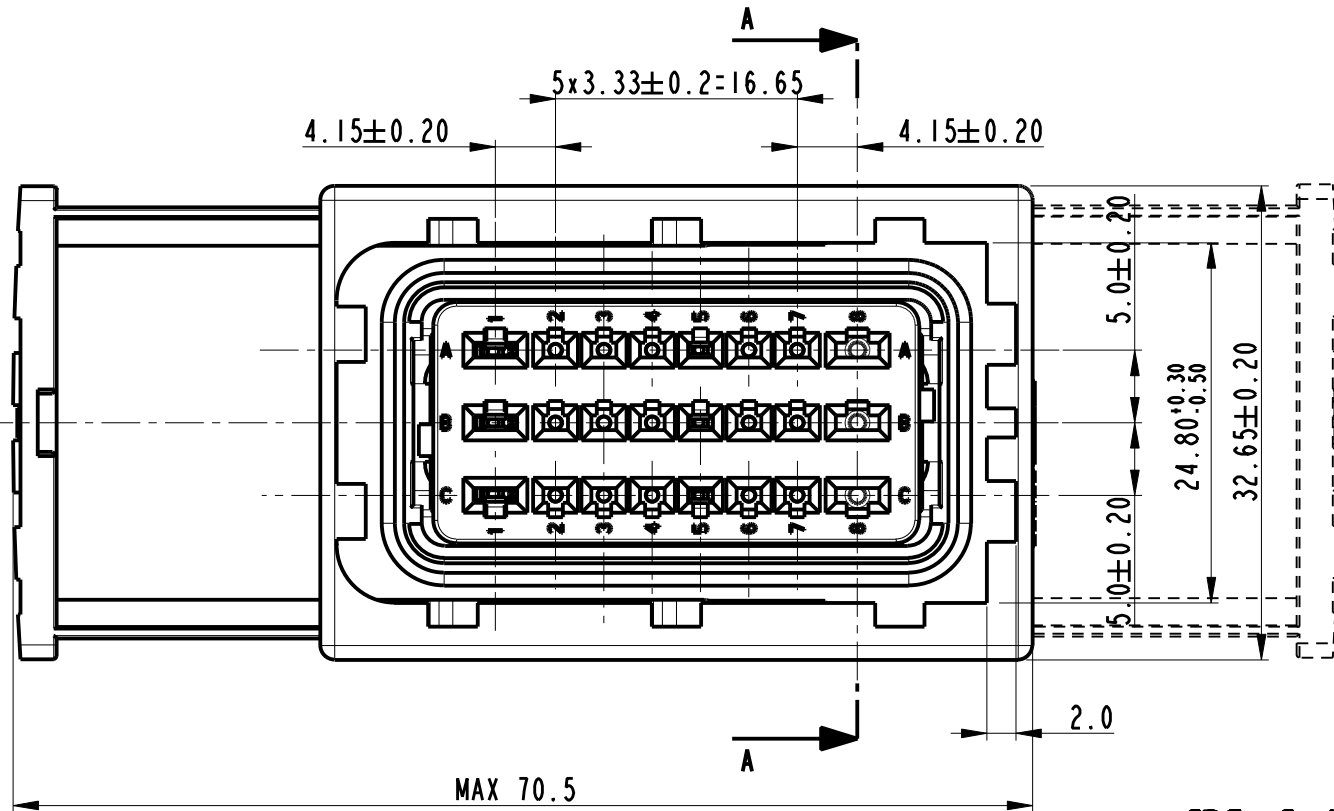


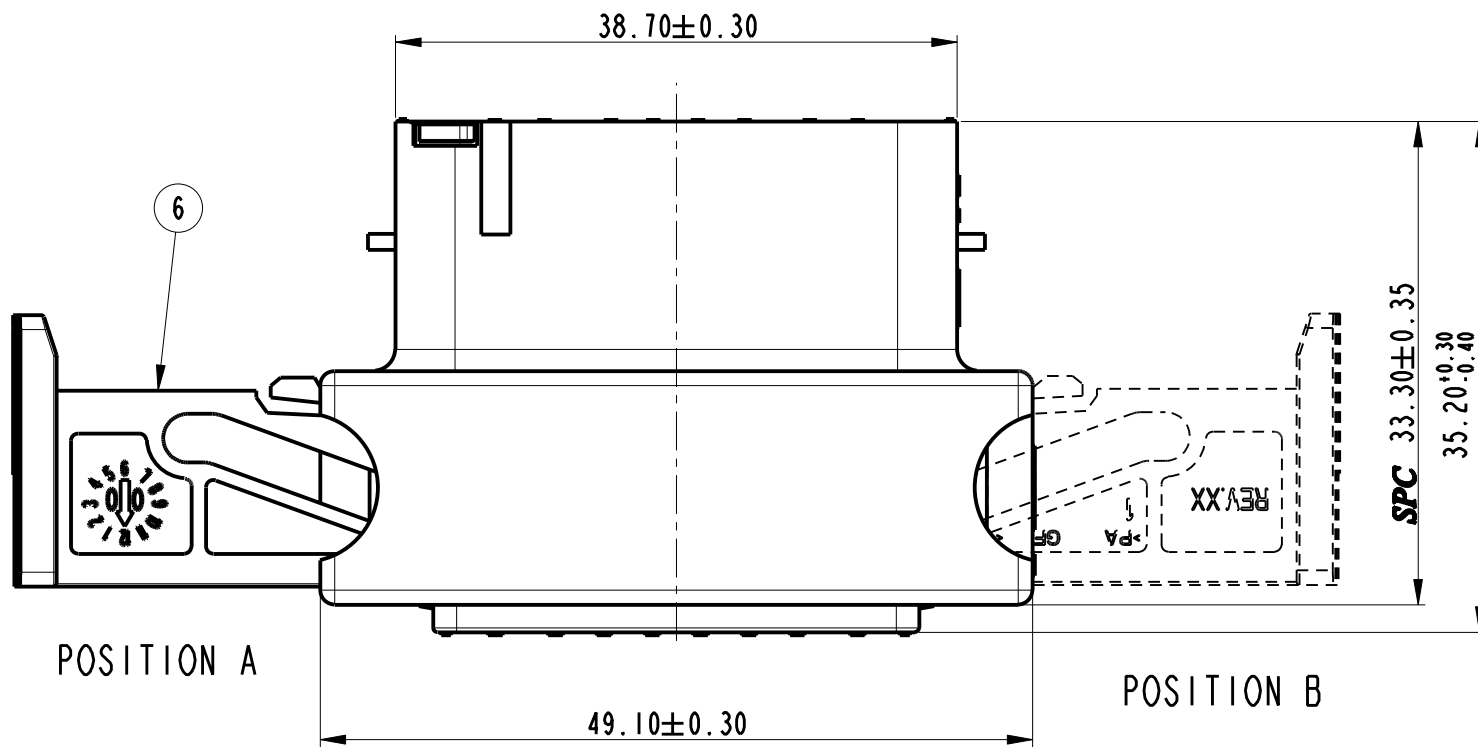
DRAWING NUMBER FSC 309602 REVISION D SHEET 1/2 APPROVAL LEVEL -  
 NUMERO DISEGNO FSC 309602 REVISIONE D FOGLIO 1/2 LIV. DI APPROVAZIONE -  
 DRAWING C

SECTION A-A



N°	DESCRIPTION	COLOR	MATERIAL
1	HOUSING	BLACK-BROWN BLUE-GREY NAUTRAL-GREEN-ORANGE	SEE SHEET 2/2
2	SEC. LOCK	YELLOW	PBT
3	GASKET	RED	SILICON
4	GROMMET	RED, GREEN or BLUE	SILICON
5	GROMMET STOP	BLACK	PBT
6	SLED	VIOLET or GREY	PA 6.6

SPC Statistical Process Control



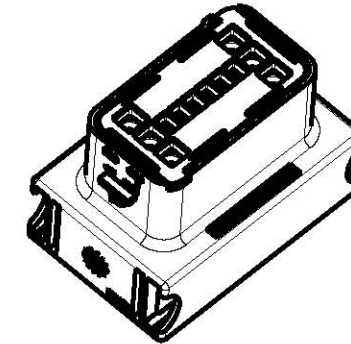
ECN-NO.	DATE	DD / MM / YY	REVISION	POSITION	CHANGE DESCRIPTION	DRAWN BY	CHK. BY	APPR. BY
NUMERO - ECN	DATA		REVISIONE	POSIZIONE	DESCRIZIONE MODIFICA	DISEGNATORE	CONTROLLATO	APPROVATO
	27-09-2017		D	A7	Added new pns (dark blue, red, light brown, light green, purple)	GB		GI
14-10942	28-11-2014		C	-	Deleted obsolete part numbers on the table	<b>F.G.</b>		<b>M.C.</b>
14-03142	05/03/14		B	A7	Added new pn33403921-33403922-33403923	GB	FG	MC
14-11	05/08/11		A	--	Added pn 211PC249S8018	GB	FG	MC
38-07	02/05/07		11	C7	Added PN 211PC249S8063, Deleted PN 211PC249S8018 Reduced rib length	GB	FG	MC
29-2007	29-03-2007		10	--	Ass'y 211PC249S8043, changed Hsg-mll. 11 was PA 6	EC		MC
21-06	13-03-06		09	--	Added new PN	E.Cini		M.C.
ECN 85/05	16/12/05		08		See ECN Documentation	E.C.		M.C.
ECN 17/04	28/05/04		07		See ECN Documentation	E.C.		M.C.
ECN 10/04	17/02/04		06		ADDED 3 CATALOG NUMBERS ( SEE SHEET 3 )	R.R.	G.S.	
ECN 41/03	05/11/03		05		RELEASED FOR PRODUCTION	R.R.	G.S.	
	28/10/03		04		UPDATED DRAWING	R.R.	G.S.	
	01/09/03		03		MODIFIED MATERIAL FOR THE FOLLOWING P/N 211PC249SX020 - 211PC249SX023 - 1211PC249SX033 WAS PAF GF IS PBT GF	R.R.	G.S.	
	28/05/03		02		ADDED P/N 211PC249SX043	R.R.	G.S.	
	21/03/03		01		UPDATED DRAWING	R.R.	G.S.	

PRODUCT SPEC. SPEC. DI PRODOTTO	PACKAGING SPEC. SPEC. DI IMBALLAGGIO	APPLICATION SPEC. SPEC. DI APPLICAZIONE	COPYRIGHT DELPHI CORPORATION AND/OR ITS AFFILIATES. ALL RIGHTS RESERVED. REVISED THIS DRAWING IS THE PROPERTY OF DELPHI CORPORATION. THE REPRODUCTION, DISTRIBUTION AND UTILIZATION OF THIS DOCUMENT OR ITS RELATED CAD MATH DATA, AS WELL AS COMMUNICATION OF ANY CONTENT TO OTHERS, WITHOUT EXPRESS AUTHORIZATION IS PROHIBITED.	DELPHI CORPORATION AND/OR ITS AFFILIATES. ALL RIGHTS RESERVED. REVISED THIS DRAWING IS THE PROPERTY OF DELPHI CORPORATION. THE REPRODUCTION, DISTRIBUTION AND UTILIZATION OF THIS DOCUMENT OR ITS RELATED CAD MATH DATA, AS WELL AS COMMUNICATION OF ANY CONTENT TO OTHERS, WITHOUT EXPRESS AUTHORIZATION IS PROHIBITED.
TOLERANCES TOLLERANZE	± 0.3 mm / ± 1°	MATERIAL : MATERIALE :	see table	SURFACE FINISH FINITURA SUPERFICIALE
COUNTERPART Nr. CONTROPARTE Nr.		COLOUR : COLORE :		
DO NOT SCALE DRAWING DISEGNO FUORI SCALA		TOOL NO.		LOC. CODE NAZIONALITA' IT
DRAWN BY DISEGNATORE	DATE DATA	NAME NOME	TITLE DESCRIZIONE	DRAWING NUMBER NUMERO DISEGNO
CHECKED BY CONTROLLATO				
APPROVED BY APPROVATO				
		ESR NO. NUMERO ESR	ITA2043	FILE NAME NOME FILE
		CAT. NO. NUMERO CAT.	see table	fsc309602_conn.pf

CODING TABLE Tavola di codifica	8.0 2.0	8.4	4.0 4.2 3.8	4.2 3.8 4.0
TOLERANCES ±0.2 Tolleranze				
FRONT VIEW Vista frontale				
■ : FULL Pieno				
COLOR	BLACK / NATURAL / GREEN ORANGE / DARK BLUE / RED LIGHT BROWN / LIGHT GREEN PURPLE	GREY	BROWN	BLUE

**COMPONENTS**

MVL P/Ns DELPHI P/Ns	HOUSING	HOUSING MATERIAL	SEC. LOCK	GASKET	GROMMET "RED"	GROMMET "GREEN"	GROMMET "BLUE"	GROMMET STOP BLACK	GROMMET STOP 12 GREEN	SLED VIOLET "RENAULT"	SLED VIOLET "NEUTRAL" Position -A-	SLED VIOLET "NEUTRAL" Position -B-	SLED "GREY"
21IPC249S0018 33504100 RevOI	Black	PA 6	Yes	Yes	Yes			Yes			Yes		
21IPC249S8018 33504103 RevOI	Grey	PA 6	Yes	Yes		Yes		Yes			Yes		
21IPC249S0031 33503458 RevOI	Black	PA 6	Yes	Yes	Yes			Yes				Yes	
21IPC249S1031 33503459 RevOI	Brown	PA 6	Yes	Yes	Yes			Yes				Yes	
21IPC249S0020 13751295 RevOI	Black	PBT	Yes										
21IPC249S1020 13751296 RevOI	Brown	PBT	Yes										
21IPC249S8020 13751294 RevOI	Grey	PBT	Yes										
21IPC249S0023 10776496 RevOI	Black	PBT	Yes	Yes	Yes			Yes					
21IPC249S8023 15535519 RevOI	Grey	PBT	Yes	Yes	Yes			Yes					
21IPC249S0033 10820454 RevOI-B	Black	PBT	Yes	Yes		Yes		Yes					
21IPC249S1033 13841561 RevOI	Brown	PBT	Yes	Yes		Yes		Yes					
21IPC249S6033 33500315 RevOI	Blue	PBT	Yes	Yes		Yes		Yes					
21IPC249S8033 13841588 RevOI	Grey	PBT	Yes	Yes		Yes		Yes					
21IPC249S0053 33504115 RevOI	Black	PBT	Yes	Yes		Yes		Yes				Yes	
21IPC249S8063 33503460 RevOI	Grey	PBT	Yes	Yes		Yes		Yes			Yes		
1 726 12 05 13593425 RevOI	Black	PBT	Yes	Yes		Yes		Yes					
33403921 RevOI	Natural	PBT	Yes	Yes		Yes		Yes					
33403922 RevOI	Green	PBT	Yes	Yes		Yes		Yes					
33403923 RevOI	Orange	PBT	Yes	Yes		Yes		Yes					
35141428	Dark blue	PBT	Yes	Yes		Yes		Yes					
35141595	Red	PBT	Yes	Yes		Yes		Yes					
35141598	Light brown	PBT	Yes	Yes		Yes		Yes					
35141599	Light green	PBT	Yes	Yes		Yes		Yes					
35141600	Purple	PBT	Yes	Yes		Yes		Yes					



1 726 12 05  
 12 WAYS CLOSED VERSION  
 A2,A3,A4,A5,A6,A7  
 C2,C3,C4,C5,C6,C7

	27-09-2017	D	A7	Added new pas (dark blue,red,light brown,light green,purple)	GB		GI		
14-10942	28-11-2014	C	-	Deleted obsolete part numbers on the table	<b>FG.</b>		<b>MC.</b>		
14-03142	05/03/14	B	A7	Added new pn33403921-33403922-33403923	GB	FG	MC		
14-11	05/08/11	A	--	Added pn 21IPC249S8018	GB	FG	MC		
38-07	02/05/07	11	C7	Added PN 21IPC249S8063, Deleted PN 21IPC249S8018 Reduced rib length	GB	FG	MC		
29-2007	29-03-2007	10	--	Ass'y 21IPC249S8043, changed Hsg-mtl. It was PA 6	EC		MC		
21-06	13-03-06	09	--	Added new PN	[Cini]		M.C.		
ECN 85/05	16/12/05	08		See ECN Documentation	E.C.		M.C.		
ECN 17/04	28/05/04	07		See ECN Documentation	E.C.		M.C.		
ECN 10/04	17/02/04	06		ADDED 3 CATALOG NUMBERS ( SEE SHEET 3 )	R.R. G.S.				
ECN 41/03	05/11/03	05		RELEASED FOR PRODUCTION	R.R. G.S.				
	28/10/03	04		UPDATED DRAWING	R.R. G.S.				
	01/09/03	03		MODIFIED MATERIAL FOR THE FOLLOWING P/N 21IPC249S8020 - 21IPC249S8023 - 121IPC249S1033 WAS PAB GF 15 PBT GF	R.R. G.S.				
	28/05/03	02		ADDED P/N 21IPC249SX043	R.R. G.S.				
	21/03/03	01		UPDATED DRAWING	R.R. G.S.				
ECN-NO. NUMERO -ECN	DATE DATA	DD/ MM / YY	REVISION REVISIONE	POSITION POSIZIONE	CHANGE DESCRIPTION DESCRIZIONE MODIFICA		DRAWN BY DISEGNATORE	CHK. BY CONTROLLATO	APPR. BY APPROVATO
PRODUCT SPEC. SPEC. DI PRODOTTO	PACKAGING SPEC. SPEC. DI IMBALLAGGIO	APPLICATION SPEC. SPEC. DI APPLICAZIONE	COPYRIGHT DELPHI CORPORATION AND/OR ITS AFFILIATES. ALL RIGHTS RESERVED. REVISED THIS DRAWING IS THE PROPERTY OF DELPHI CORPORATION. THE REPRODUCTION, DISTRIBUTION AND UTILIZATION OF THIS DOCUMENT OR ITS RELATED CAD MATH DATA, AS WELL AS COMMUNICATION OF ANY CONTENT TO OTHERS, WITHOUT EXPRESS AUTHORIZATION IS PROHIBITED.					QUESTO DISEGNO E' PROPRIETA' DI DELPHI CORPORATION E CONTIENE INFORMAZIONI CONFIDENZIALI. LA RIPRODUZIONE, DISTRIBUZIONE E UTILIZZAZIONE DI QUESTO DOCUMENTO O DELLE SUE RELATIVE MATEMATICHE CAD, NONCHE LA COMUNICAZIONE DI QUALSIASI CONTENUTO AD ALTRI, SENZA ESPlicita AUTORIZZAZIONE, E' PROIBITA	
TOLERANCES TOLLERANZE	± 0.3mm. / ± P	MATERIAL : MATERIALE :	see table		SURFACE FINISH FINITURA SUPERFICIALE	<b>DELPHI</b> DELPHI PACKARD ELECTRICAL/ELECTRONIC ARCHITECTURE TORINO, ITALY		CAD SYSTEM pro / eng.	
COUNTERPART N°. CONTROPARTE N°.		COLOUR : COLORE :	-			<b>C</b>		DIMENSION IN MILLIMETERS DIMENSIONI IN MILLIMETRI	DWG SIZE FORMATO A3
DO NOT SCALE DRAWING DISEGNO FUORI SCALA	DATE DATA	NAME NOME	TITLE DESCRIZIONE	LOC. CODE NAZIONALITA'	IT	DRAWING NUMBER NUMERO DISEGNO		SHEET FOGLIO	2 of 1 di 2
DRAWN BY DISSEGNATORE	09/01/03	R. Ramponc	24 WAYS SECTIONING ASSEMBLY FEMALE HOLDER		FSC 309602		FILE NAME NOME FILE	SCALE SCALA	2:1
CHECKED BY CONTROLLATO	09/01/03	G. Stello	ESR NO. NUMERO ESR	ITA2043	CAT. NO. NUMERO CAT	see table			
APPROVED BY APPROVATO									

## X-ON Electronics

Largest Supplier of Electrical and Electronic Components

*Click to view similar products for [Automotive Connectors](#) category:*

*Click to view products by [APTIV](#) manufacturer:*

Other Similar products are found below :

[003-018-000](#) [60403001](#) [60993906-B](#) [629515004020001](#) [M902-2131](#) [M902-2161](#) [72.330.1035.1](#) [73.353.4028.0](#) [F119300-B](#) [F166900](#)  
[F258300-B](#) [F358300-B](#) [F407400](#) [F444110](#) [F487000](#) [F509500B-B](#) [827153-1](#) [8N1515-32-24P](#) [9-1326729-8](#) [925474-1](#) [928905-1](#) [964562-4](#)  
[968782-1](#) [GT17SA-8DS-HU](#) [98891-1012](#) [98947-1016](#) [12004475-L](#) [12010290](#) [12010309-B](#) [12015454](#) [12020219-B](#) [12020308](#) [12041318-B](#)  
[12052225-L](#) [12052466](#) [12059125](#) [12064869](#) [12004327-B](#) [12010503-B](#) [12015308](#) [12015384](#) [12015909](#) [1-21030-1](#) [12041254](#) [12041318](#)  
[12047946-B](#) [12047957](#) [12047957-L](#) [12059473](#) [12066261](#)