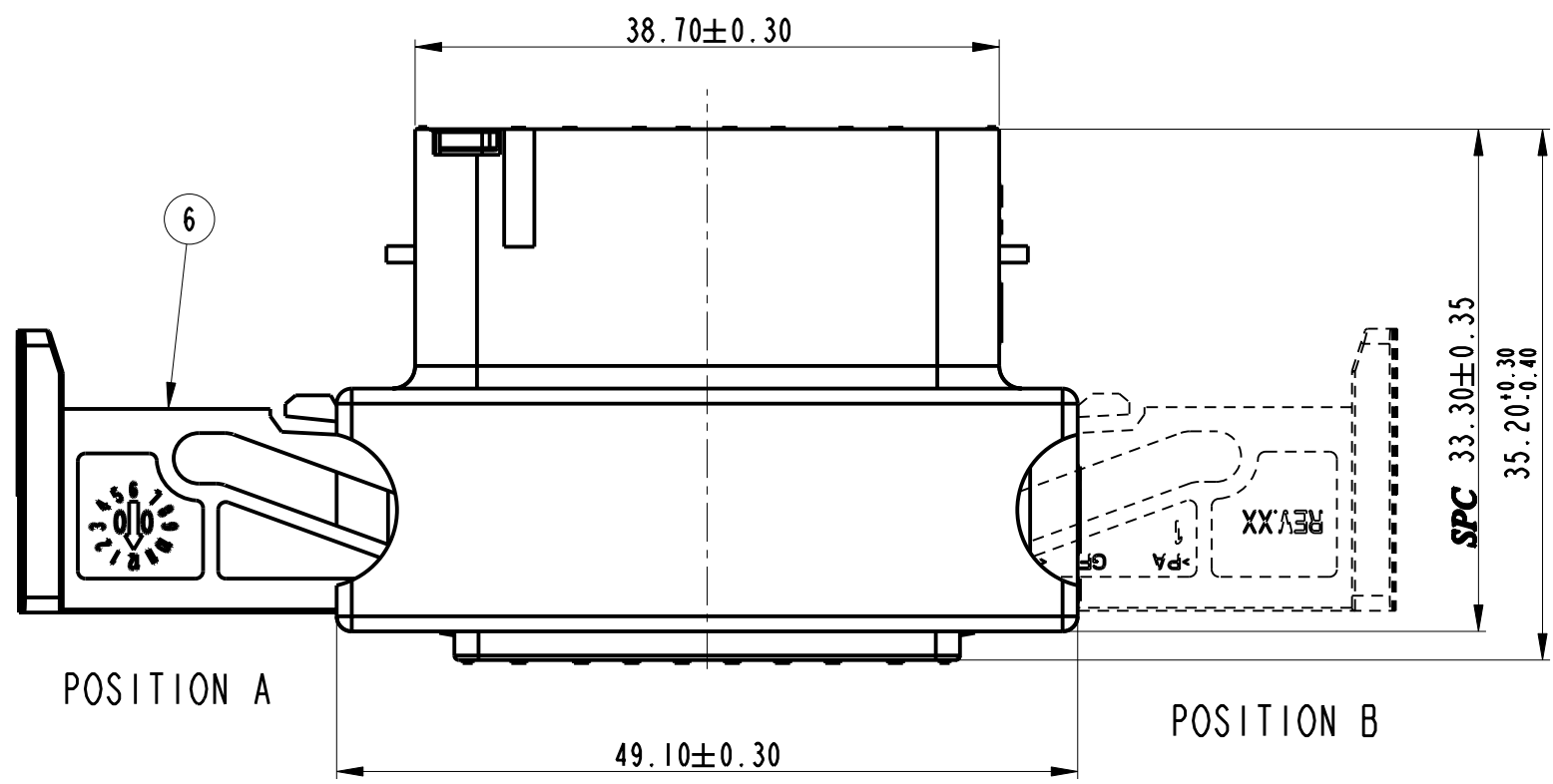
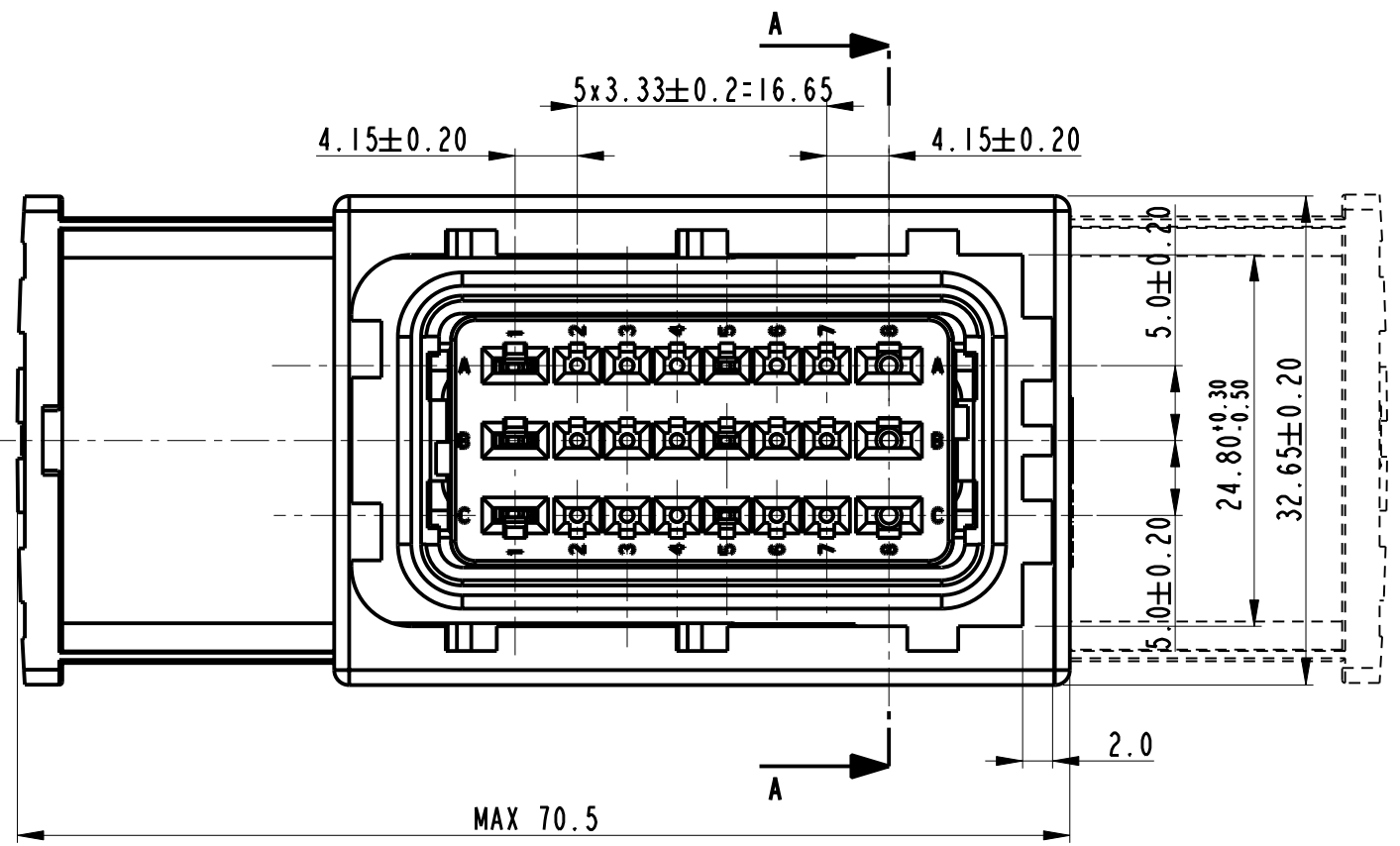
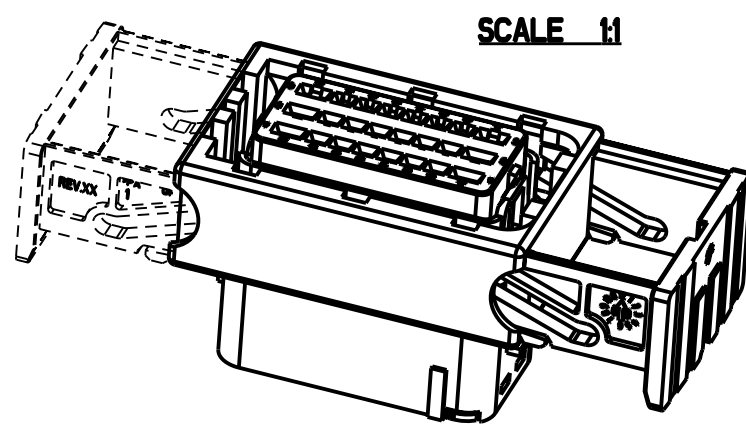
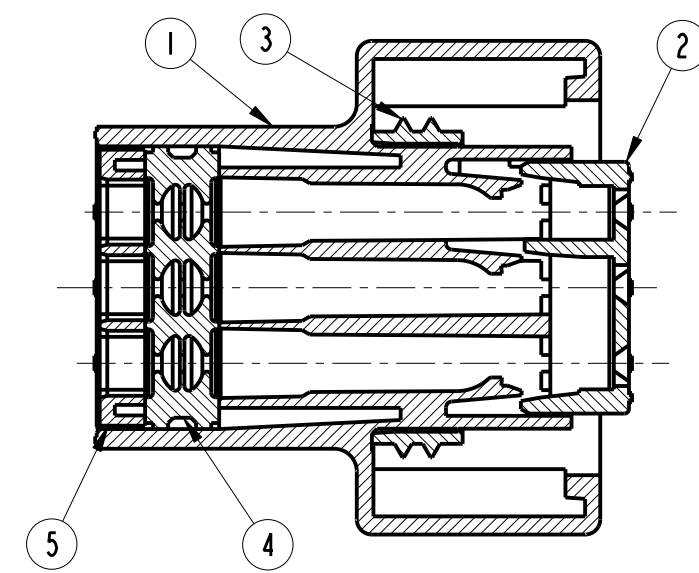


STRICTLY CONFIDENTIAL

SECTION A-A



SPC Statistical Process Control

N°	DESCRIPTION	COLOR	MATERIAL
1	HOUSING	BLACK-BROWN BLUE-GREY NAUTRAL-GREEN-ORANGE	SEE SHEET 2/2
2	SEC. LOCK	YELLOW	PBT
3	GASKET	RED	SILICON
4	GROMMET	RED, GREEN or BLUE	SILICON
5	GROMMET STOP	BLACK	PBT
6	SLED	VIOLET or GREY	PA 6.6

ECN-NO. NUMERO -ECN	DATE DATA	DD / MM / YY	REVISION REVISIONE	POSITION POSIZIONE	CHANGE DESCRIPTION DESCRIZIONE MODIFICA	DRAWN BY DISEGNATORE	CHK. BY CONTROLLATO	APPR. BY APPROVATO
14-07742	03/11/14		C		DELPHI P/N ADDED	SN	FG	MC
14-03142	05/03/14		B	A7	Added new pn33403921-33403922-33403923	GB	FG	MC
14-11	05/08/11		A	--	Added pn 21IPC249S8018	GB	FG	MC
38-07	02/05/07		11	C7	Added PN 21IPC249S8063, Deleted PN 21IPC249S8018 Reduced rib length	GB	FG	MC
29-2007	29-03-2007		10	--	Ass'y 21IPC249S8043, changed Hsg-mtl. It was PA 6	EC		MC
21-06	13-03-06		09	--	Added new PN	E.Cini		M.C.
ECN 85/05	16/12/05		08		See ECN Documentation	E.C.		M.C.
ECN 17/04	28/05/04		07		See ECN Documentation	E.C.		M.C.
ECN 10/04	17/02/04		06		ADDED 3 CATALOG NUMBERS (SEE SHEET 3)	R.R. G.S.		
ECN 41/03	05/11/03		05		RELEASED FOR PRODUCTION	R.R. G.S.		
	28/10/03		04		UPDATED DRAWING	R.R. G.S.		
	01/09/03		03		MODIFIED MATERIAL FOR THE FOLLOWING P/N 21IPC249S8020 - 21IPC249S8023 - 121IPC249S8033 WAS PA6 GF IS PBT GF	R.R. G.S.		
	28/05/03		02		ADDED P/N 21IPC249S8043	R.R. G.S.		
	21/03/03		01		UPDATED DRAWING	R.R. G.S.		

CODING TABLE
Tavola di codifica

TOLERANCES ±0.2
Tolleranze

FRONT VIEW
Vista frontale

■ : FULL
Pieno

COLOR	BLACK / NATURAL GREEN / ORANGE	GREY	BROWN	BLUE
8.0	8.4	4.0	4.2	4.2
2.0		3.8	4.0	4.0
		0.2±0.1	0.2±0.1	0.2±0.1
8.4	8.0	4.2	4.2	4.2
	6.4±0.2	4.0	4.0	4.0

PRODUCT SPEC. SPEC. DI PRODOTTO

PACKAGING SPEC. SPEC. DI IMBALLAGGIO

APPLICATION SPEC. SPEC. DI APPLICAZIONE

COPYRIGHT DELPHI CORPORATION AND/OR ITS AFFILIATES. ALL RIGHTS RESERVED. REVISED THIS DRAWING IS THE PROPERTY OF DELPHI CORPORATION. THE REPRODUCTION, DISTRIBUTION AND UTILIZATION OF THIS DOCUMENT OR ITS RELATED CAD MATH DATA, AS WELL AS COMMUNICATION OF ANY CONTENT TO OTHERS, WITHOUT EXPRESS AUTHORIZATION IS PROHIBITED.

TOLERANCES TOLLERANZE ± 0.3 mm / ± 1°

MATERIAL: MATERIALE: see table

COLOR: COLORE: -

TOOL NO. -

SURFACE FINISH FINITURA SUPERFICIALE -

DO NOT SCALE DRAWING DISEGNO FUORI SCALA

DATE DATA: 09/01/03

NAME NOME: R. Rampone

TITLE DESCRIZIONE: 24 WAYS SECTIONING ASSEMBLY FEMALE HOLDER

LOC. CODE NAZIONALITA': IT

DRAWING NUMBER NUMERO DISEGNO: FSC 309602

FILE NAME NOME FILE: fsc309602_conn_pf

DWG SIZE FORMATO: A3

SHEET FOGLIO: 1 of 2

SCALE SCALA: 2:1

ASSEMBLY

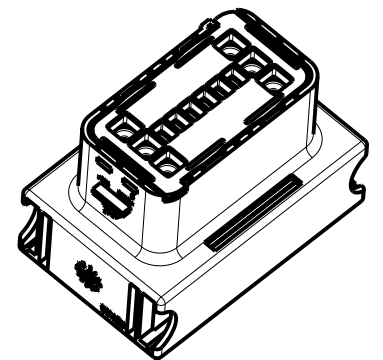
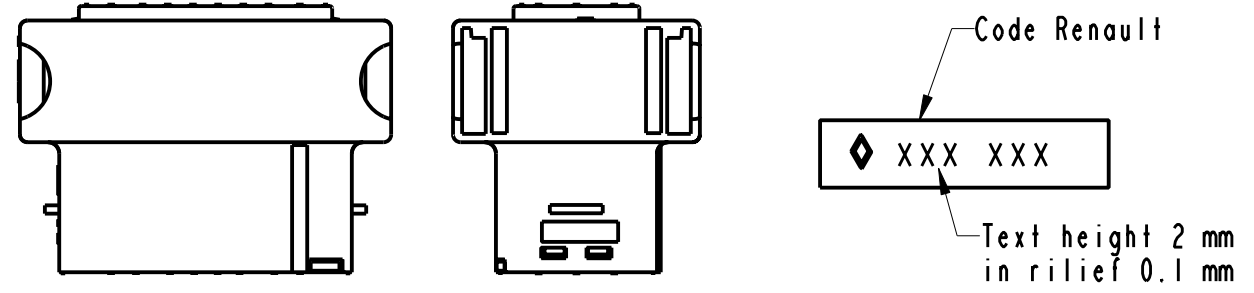
COMPONENTS

MVL P/N	DELPHI P/N	HOUSING	HOUSING MATERIAL	SEC. LOCK	GASKET	GROMMET "RED"	GROMMET "GREEN"	GROMMET "BLUE"	GROMMET STOP BLACK	GROMMET STOP 12w GREEN	SLED VIOLET "RENAULT"	SLED VIOLET "NEUTRAL" Position -A-	SLED VIOLET "NEUTRAL" Position -B-	SLED "GREY"	DETAIL X
2IIPC249S0018	33504100	Black	PA 6	Yes	Yes	Yes			Yes			Yes			
2IIPC249S1018	33504101	Brown	PA 6	Yes	Yes	Yes			Yes			Yes			
2IIPC249S6018	33504102	Blue	PA 6	Yes	Yes	Yes			Yes			Yes			
2IIPC249S0031	33503458	Black	PA 6	Yes	Yes	Yes			Yes				Yes		
2IIPC249S1031	33503459	Brown	PA 6	Yes	Yes	Yes			Yes				Yes		
2IIPC249S6031	33504104	Blue	PA 6	Yes	Yes	Yes			Yes				Yes		
2IIPC249S8031	33504105	Grey	PA 6	Yes	Yes	Yes			Yes				Yes		
2IIPC249S8018	33504103	Grey	PA 6	Yes	Yes		Yes		Yes			Yes			
2IIPC249S0020	13751295	Black	PBT	Yes											
2IIPC249S0020A	33515185	Black	PBT	Yes								Yes			
2IIPC249S0020B	33515186	Black	PBT	Yes									Yes		
2IIPC249S1020	13751296	Brown	PBT	Yes											
2IIPC249S1020A	33515187	Brown	PBT	Yes								Yes			
2IIPC249S1020B	33515188	Brown	PBT	Yes									Yes		
2IIPC249S6020	33504106	Blue	PBT	Yes											
2IIPC249S8020	13751294	Grey	PBT	Yes											
2IIPC249S8020A	33515189	Grey	PBT	Yes								Yes			
2IIPC249S8020B	33515190	Grey	PBT	Yes									Yes		
2IIPC249S0023	10776496	Black	PBT	Yes	Yes	Yes			Yes						
2IIPC249S1023	33504107	Brown	PBT	Yes	Yes	Yes			Yes						
2IIPC249S6023	33504108	Blue	PBT	Yes	Yes	Yes			Yes						
2IIPC249S8023	15535519	Grey	PBT	Yes	Yes	Yes			Yes						
2IIPC249S0033	10820454	Black	PBT	Yes	Yes		Yes		Yes						
2IIPC249S1033	13841561	Brown	PBT	Yes	Yes		Yes		Yes						
2IIPC249S6033	33500315	Blue	PBT	Yes	Yes		Yes		Yes						
2IIPC249S8033	13841588	Grey	PBT	Yes	Yes		Yes		Yes						
2IIPC249S0005	15341238	Black	PBT	Yes	Yes	Yes			Yes						Yes
2IIPC249S1005	33504113	Brown	PBT	Yes	Yes	Yes			Yes						Yes
2IIPC249S6005	33504114	Blue	PBT	Yes	Yes	Yes			Yes						Yes
2IIPC249S8005	13590079	Grey	PBT	Yes	Yes	Yes			Yes						Yes
2IIPC249S0053	33504115	Black	PBT	Yes	Yes		Yes		Yes				Yes		
2IIPC249S1053	33504116	Brown	PBT	Yes	Yes		Yes		Yes				Yes		
2IIPC249S8053	13764369	Grey	PBT	Yes	Yes		Yes		Yes				Yes		
2IIPC249S8063	33503460	Grey	PBT	Yes	Yes		Yes		Yes			Yes			
1 726 12 05	13593425	Black	PBT	Yes	Yes		Yes		Yes						
-	33403921	Natural	PBT	Yes	Yes		Yes		Yes						
-	33403922	Green	PBT	Yes	Yes		Yes		Yes						
-	33403923	Orange	PBT	Yes	Yes		Yes		Yes						

DRAWING NUMBER FSC 309602 REVISION C SHEET 2/2 APPROVAL LEVEL
 NUMERO DISEGNO FSC 309602 REVISIONE C FOGLIO 2/2 LIV. DI APPROVAZIONE
 DRAWING DISEGNO C

STRICTLY CONFIDENTIAL

DETAIL "X"
 (Specific only for PN 2IIPC249S0005, 2IIPC249S1005, 2IIPC249S6005, 2IIPC249S8005)



1 726 12 05
 12 WAYS CLOSED VERSION
 A2,A3,A4,A5,A6,A7
 C2,C3,C4,C5,C6,C7

ECN-NO. / NUMERO -ECN	DATE / DATA	REVISION / REVISIONE	POSITION / POSIZIONE	CHANGE DESCRIPTION / DESCRIZIONE MODIFICA	DRAWN BY / DISEGNATORE	CHK. BY / CONTROLLATO	APPR. BY / APPROVATO
14-07742	03/11/14	C		DELPHI P/N ADDED			SN FG MC
14-03142	05/03/14	B	A7	Added new pn33403921-33403922-33403923			GB FG MC
14-11	05/08/11	A	--	Added pn 2IIPC249S8018			GB FG MC
38-07	02-05-07	11		Added PN 2IIPC249S8063, Deleted PN 2IIPC249S8018 Reduced rib length			GB FG MC
29-2007	29-03-2007	10	C-8	Ass'y 2IIPC249S8043, changed Hsg-mil. 11 was PA 6			EC MC
21-06	13-03-06	09	--	Added new PN	E.Cini		M.C.
ECN 85/05	16/12/05	08		See ECN Documentation	E.C.		M.C.
ECN 17/04	28/05/04	07		See ECN Documentation	E.C.		M.C.
ECN 10/04	17/02/04	06		ADDED 3 CATALOG NUMBERS (SEE SHEET 3)			R.R. G.S.
ECN 41/03	05/11/03	05		RELEASED FOR PRODUCTION			R.R. G.S.
	28/10/03	04		UPDATED DRAWING			R.R. G.S.
	01/09/03	03		MODIFIED MATERIAL FOR THE FOLLOWING P/N 2IIPC249S8020 - 2IIPC249S8023 - 12IIPC249S8033 WAS PA6 GF IS PBT GF			R.R. G.S.
	28/05/03	02		ADDED P/N 2IIPC249S8043			R.R. G.S.
	21/03/03	01		UPDATED DRAWING			R.R. G.S.

PRODUCT SPEC. SPEC. DI PRODOTTO: -
 PACKAGING SPEC. SPEC. DI IMBALLAGGIO: -
 APPLICATION SPEC. SPEC. DI APPLICAZIONE: -
 COPYRIGHT: DELPHI CORPORATION AND/OR ITS AFFILIATES. ALL RIGHTS RESERVED. REVISED THIS DRAWING IS THE PROPERTY OF DELPHI CORPORATION. THE REPRODUCTION, DISTRIBUTION AND UTILIZATION OF THIS DOCUMENT OR ITS RELATED CAD DATA, AS WELL AS COMMUNICATION OF ANY CONTENT TO OTHERS, WITHOUT EXPRESS AUTHORIZATION IS PROHIBITED. QUESTO DISEGNO E' PROPRIETA' DI DELPHI CORPORATION E CONTIENE INFORMAZIONI CONFIDENZIALI. LA RIPRODUZIONE, DISTRIBUZIONE E UTILIZZAZIONE DI QUESTO DOCUMENTO O DELLE SUE RELATIVE MATEMATICHE CAD, NONCHE LA COMUNICAZIONE DI QUALSIASI CONTENUTO AD ALTRI, SENZA ESPLICITA AUTORIZZAZIONE, E' PROIBITA.

TOLERANCES TOLLERANZE: ± 0.3 mm / ± 1°
 COUNTERPART Nr. / CONTROPARTE Nr.: -
 MATERIAL: MATERIALE: see table
 COLOUR: COLORE: -
 TOOL NO.: -
 SURFACE FINISH FINITURA SUPERFICIALE: -
 DELPHI CAD SYSTEM: DELPHI PACKARD ELECTRICAL/ELECTRONIC ARCHITECTURE TORINO, ITALY pro / eng.
 DIMENSION IN MILLIMETERS / DIMENSIONI IN MILLIMETRI: -
 ISO PROJECTION PROIEZIONE ISO: -
 DWG SIZE FORMATO: A3
 SHEET FOGLIO: 2 of 2 di 2
 SCALE SCALA: 2:1

DO NOT SCALE DRAWING / DISEGNO FUORI SCALA: -
 LOC. CODE NAZIONALITA': IT
 DRAWING NUMBER / NUMERO DISEGNO: FSC 309602
 DRAWN BY / DISEGNATORE: 09/01/03 R. Rampone
 CHECKED BY / CONTROLLATO: 09/01/03 G. Stella
 TITLE DESCRIZIONE: 24 WAYS SECTIONING ASSEMBLY FEMALE HOLDER
 ESR NO. / NUMERO ESR: ITA2043
 CAT. NO. / NUMERO CAT.: see table
 FILE NAME / NOME FILE: fsc309602_conn_pf

X-ON Electronics

Largest Supplier of Electrical and Electronic Components

Click to view similar products for [Automotive Connectors](#) category:

Click to view products by [APTIV](#) manufacturer:

Other Similar products are found below :

[003-018-000](#) [60403001](#) [60993906-B](#) [629515004020001](#) [M902-2131](#) [M902-2161](#) [72.330.1035.1](#) [73.353.4028.0](#) [F119300-B](#) [F166900](#)
[F258300-B](#) [F358300-B](#) [F407400](#) [F444110](#) [F487000](#) [F509500B-B](#) [827153-1](#) [8N1515-32-24P](#) [9-1326729-8](#) [925474-1](#) [928905-1](#) [964562-4](#)
[968782-1](#) [GT17SA-8DS-HU](#) [98891-1012](#) [98947-1016](#) [12004475-L](#) [12010290](#) [12010309-B](#) [12015454](#) [12020219-B](#) [12020308](#) [12041318-B](#)
[12052225-L](#) [12052466](#) [12059125](#) [12064869](#) [12004327-B](#) [12010503-B](#) [12015308](#) [12015384](#) [12015909](#) [1-21030-1](#) [12041254](#) [12041318](#)
[12047946-B](#) [12047957](#) [12047957-L](#) [12059473](#) [12066261](#)