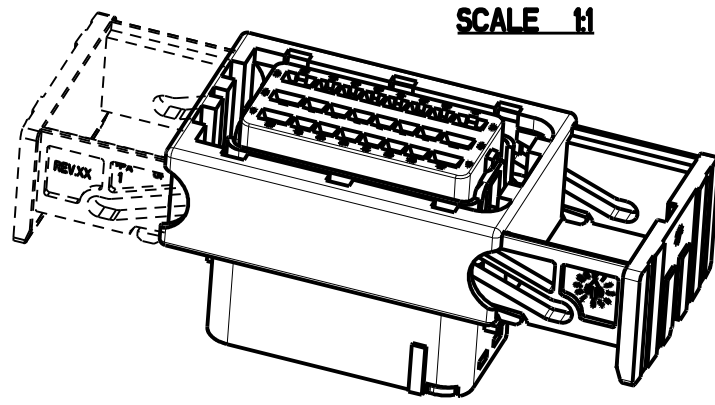
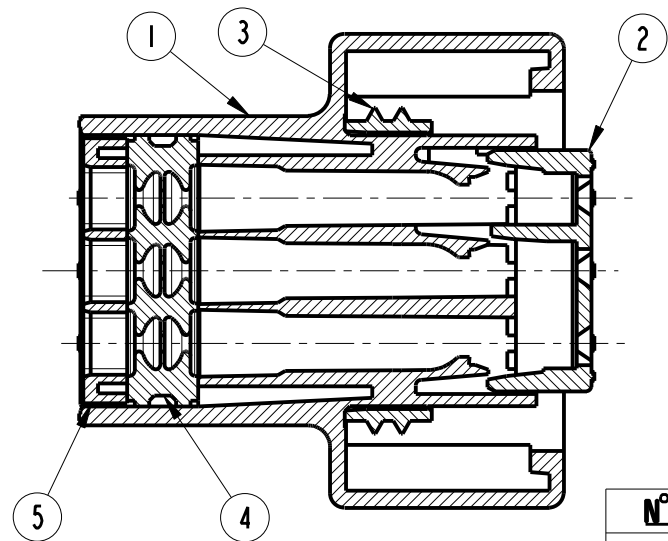
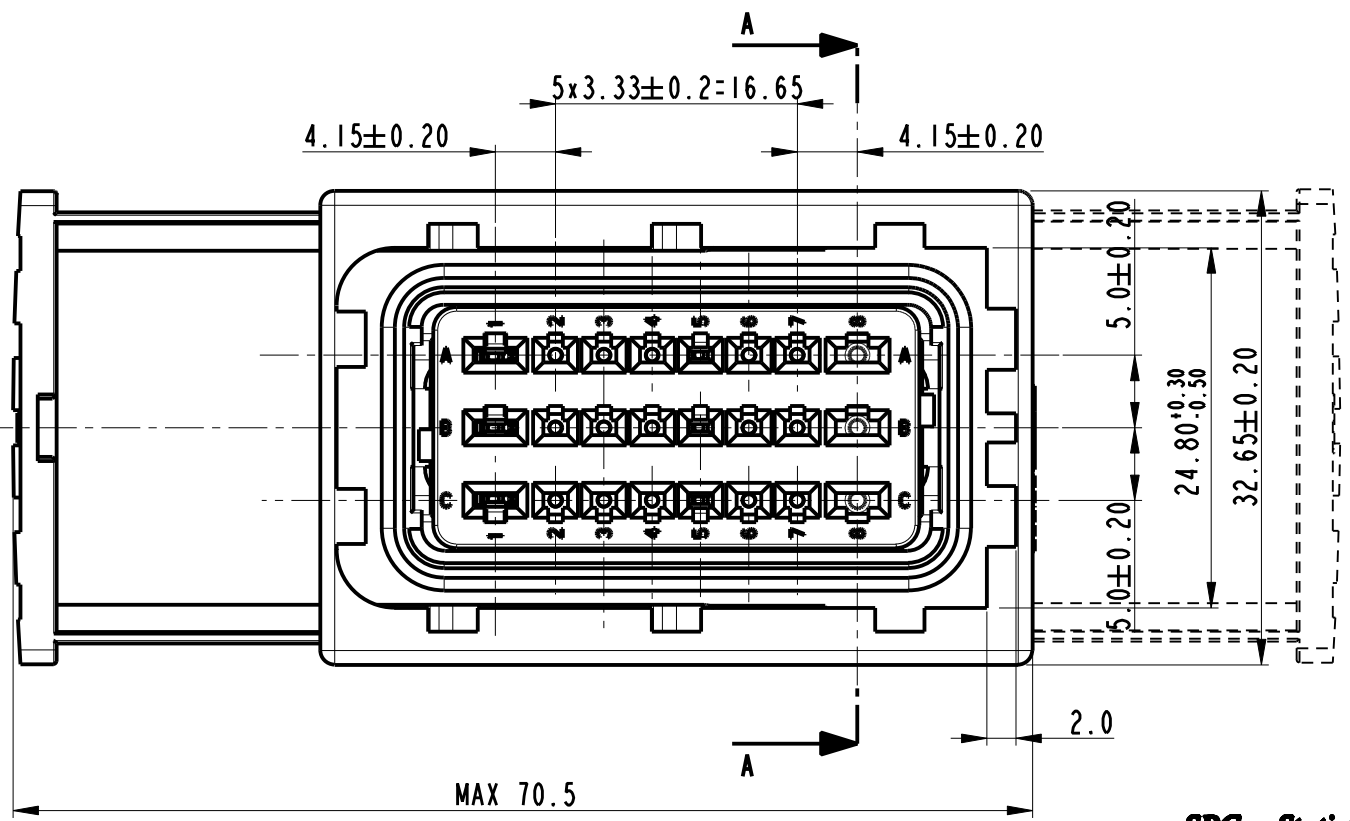


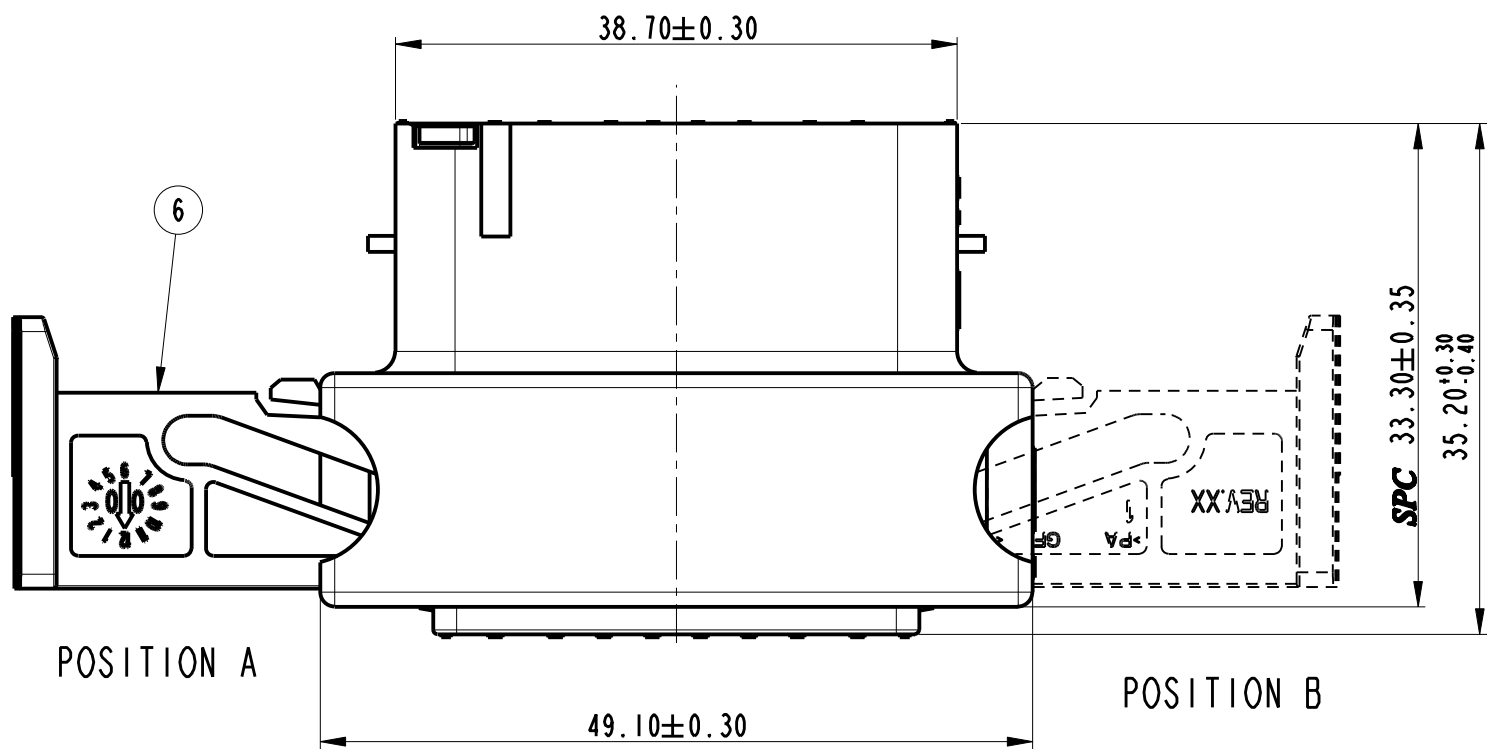
DRAWING NUMBER FSC 309602 REVISION D SHEET 1/2 APPROVAL LEVEL -
 NUMERO DISEGNO FSC 309602 REVISIONE D FOGLIO 1/2 LIV. DI APPROVAZIONE -
 DRAWING C

SECTION A-A



N°	DESCRIPTION	COLOR	MATERIAL
1	HOUSING	BLACK-BROWN BLUE-GREY NAUTRAL-GREEN-ORANGE	SEE SHEET 2/2
2	SEC. LOCK	YELLOW	PBT
3	GASKET	RED	SILICON
4	GROMMET	RED, GREEN or BLUE	SILICON
5	GROMMET STOP	BLACK	PBT
6	SLED	VIOLET or GREY	PA 6.6

SPC Statistical Process Control



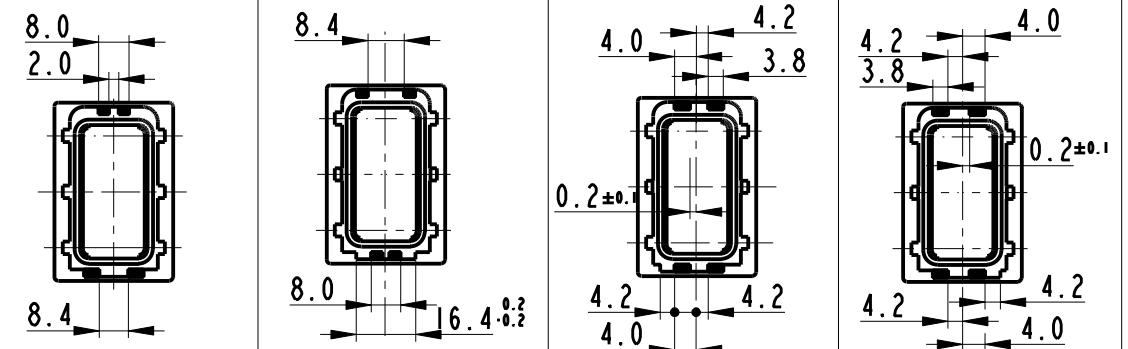
ECN-NO.	DATE	DD / MM / YY	REVISION	POSITION	CHANGE DESCRIPTION	DRAWN BY	CHK. BY	APPR. BY
NUMERO - ECN	DATA		REVISIONE	POSIZIONE	DESCRIZIONE MODIFICA	DISEGNATORE	CONTROLLATO	APPROVATO
	27-09-2017		D	A7	Added new pns (dark blue,red,light brown,light green,purple)	GB		GI
14-10942	28-11-2014		C	-	Deleted obsolete part numbers on the table	F.G.		M.C.
14-03142	05/03/14		B	A7	Added new pn33403921-33403922-33403923	GB	FG	MC
14-11	05/08/11		A	--	Added pn 211PC249S8018	GB	FG	MC
38-07	02/05/07		11	C7	Added PN 211PC249S8063, Deleted PN 211PC249S8018 Reduced rib length	GB	FG	MC
29-2007	29-03-2007		10	--	Ass'y 211PC249S8043, changed Hsg-mll. 11 was PA 6	EC		MC
21-06	13-03-06		09	--	Added new PN	E.Cini		M.C.
ECN 85/05	16/12/05		08		See ECN Documentation	E.C.		M.C.
ECN 17/04	28/05/04		07		See ECN Documentation	E.C.		M.C.
ECN 10/04	17/02/04		06		ADDED 3 CATALOG NUMBERS (SEE SHEET 3)	R.R.	G.S.	
ECN 41/03	05/11/03		05		RELEASED FOR PRODUCTION	R.R.	G.S.	
	28/10/03		04		UPDATED DRAWING	R.R.	G.S.	
	01/09/03		03		MODIFIED MATERIAL FOR THE FOLLOWING P/N 211PC249SX020 - 211PC249SX023 - 1211PC249SX033 WAS PAB GF 1S PBT GF	R.R.	G.S.	
	28/05/03		02		ADDED P/N 211PC249SX043	R.R.	G.S.	
	21/03/03		01		UPDATED DRAWING	R.R.	G.S.	

CODING TABLE
Tavola di codifica

TOLERANCES ±0.2
Tolleranze

FRONT VIEW
Vista frontale

■ : FULL
Pieno



COLOR

BLACK / NATURAL / GREEN
ORANGE / DARK BLUE / RED
LIGHT BROWN / LIGHT GREEN
PURPLE

GREY

BROWN

BLUE

PRODUCT SPEC. SPEC. DI PRODOTTO
 PACKAGING SPEC. SPEC. DI IMBALLAGGIO
 APPLICATION SPEC. SPEC. DI APPLICAZIONE
 COPYRIGHT DELPHI CORPORATION AND/OR ITS AFFILIATES. ALL RIGHTS RESERVED. REVISED THIS DRAWING IS THE PROPERTY OF DELPHI CORPORATION. THE REPRODUCTION, DISTRIBUTION AND UTILIZATION OF THIS DOCUMENT OR ITS RELATED CAD MATH DATA, AS WELL AS COMMUNICATION OF ANY CONTENT TO OTHERS, WITHOUT EXPRESS AUTHORIZATION IS PROHIBITED.

TOLERANCES ± 0.3 mm / ± 1°
 TOLLERANZE
 COUNTERPART Nr. CONTROPARTE Nr.

MATERIAL : see table
 COLOUR :
 TOOL NO.

SURFACE FINISH FINITURA SUPERFICIALE
DELPHI
 DELPHI PACKARD ELECTRICAL/ELECTRONIC ARCHITECTURE
 TORINO, ITALY
 pro / eng.

DO NOT SCALE DRAWING
 DISEGNO FUORI SCALA

LOC. CODE NAZIONALITA' IT

DIMENSION IN MILLIMETERS DIMENSIONI IN MILLIMETRI
 DWG SIZE FORMATO A3
 SHEET FOGLIO 1 of 1 di 2

DRAWN BY DISEGNATORE 09/01/03 R.Rompono
 CHECKED BY CONTROLLATO 09/01/03 G.Stella

TITLE DESCRIZIONE
24 WAYS SECTIONING ASSEMBLY FEMALE HOLDER

DRAWING NUMBER NUMERO DISEGNO
FSC 309602

APPROVED BY APPROVATO

ESR NO. NUMERO ESR
ITA2043
 CAT. NO. NUMERO CAT.
 see table

FILE NAME NONE FILE
fsc309602_conn.pf
 SCALE SCALA 2:1

X-ON Electronics

Largest Supplier of Electrical and Electronic Components

Click to view similar products for [Automotive Connectors](#) category:

Click to view products by [APTIV](#) manufacturer:

Other Similar products are found below :

[003-018-000](#) [60403001](#) [60993906-B](#) [629515004020001](#) [M902-2131](#) [M902-2161](#) [72.330.1035.1](#) [73.353.4028.0](#) [F119300-B](#) [F166900](#)
[F258300-B](#) [F358300-B](#) [F407400](#) [F444110](#) [F487000](#) [F509500B-B](#) [827153-1](#) [8N1515-32-24P](#) [9-1326729-8](#) [925474-1](#) [928905-1](#) [964562-4](#)
[968782-1](#) [GT17SA-8DS-HU](#) [98891-1012](#) [98947-1016](#) [12004475-L](#) [12010290](#) [12010309-B](#) [12015454](#) [12020219-B](#) [12020308](#) [12041318-B](#)
[12052225-L](#) [12052466](#) [12059125](#) [12064869](#) [12004327-B](#) [12010503-B](#) [12015308](#) [12015384](#) [12015909](#) [1-21030-1](#) [12041254](#) [12041318](#)
[12047946-B](#) [12047957](#) [12047957-L](#) [12059473](#) [12066261](#)