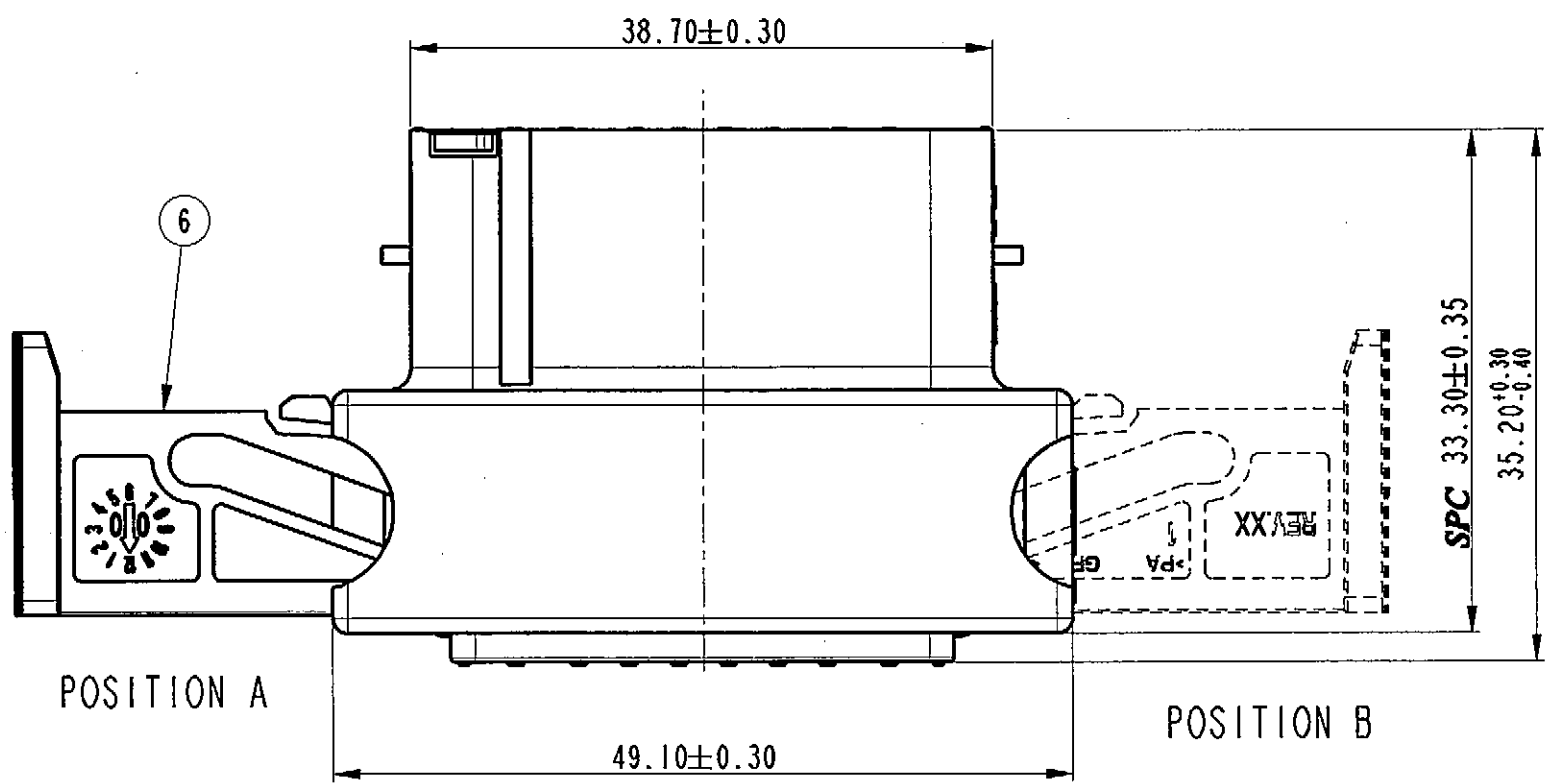
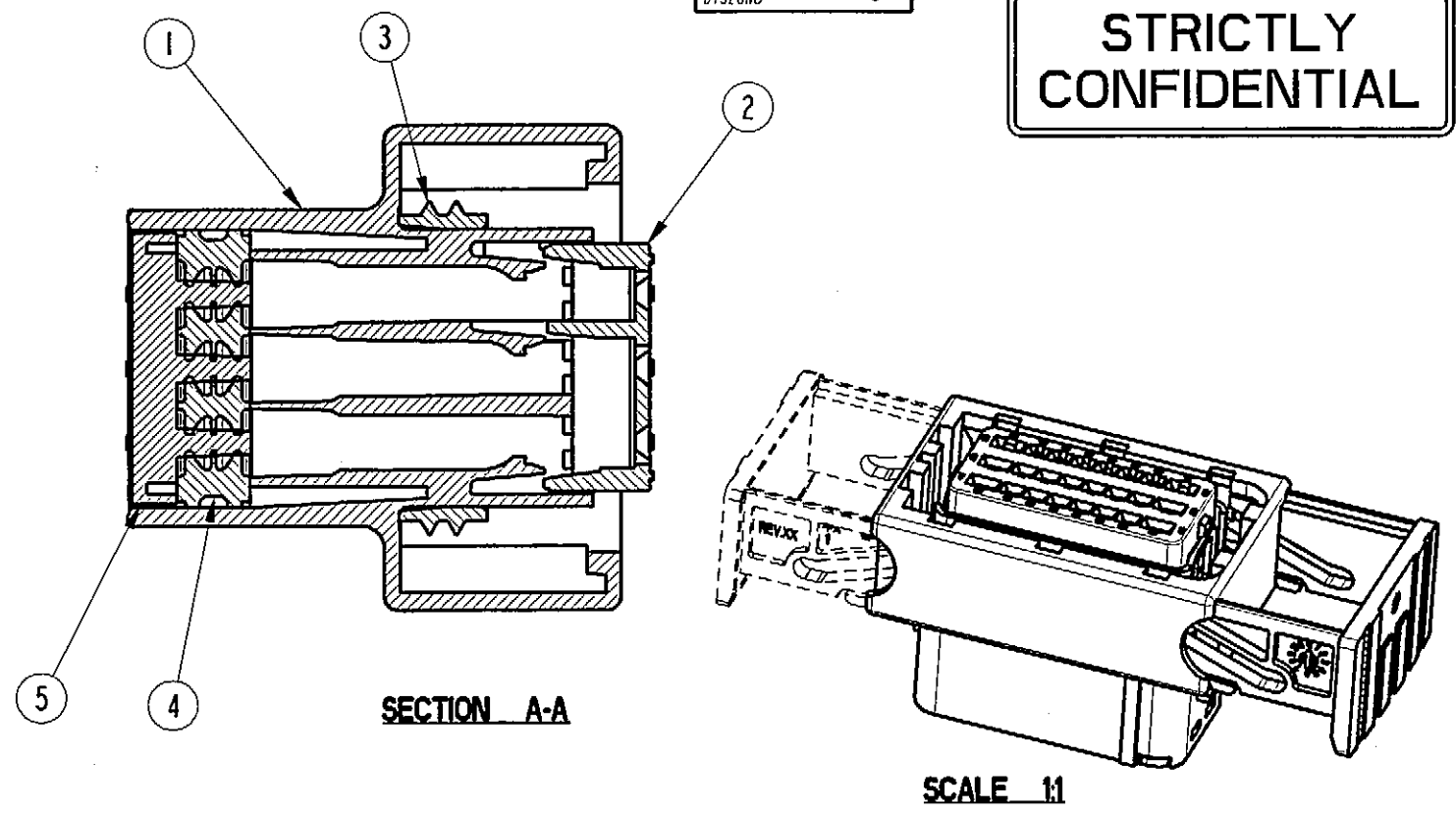
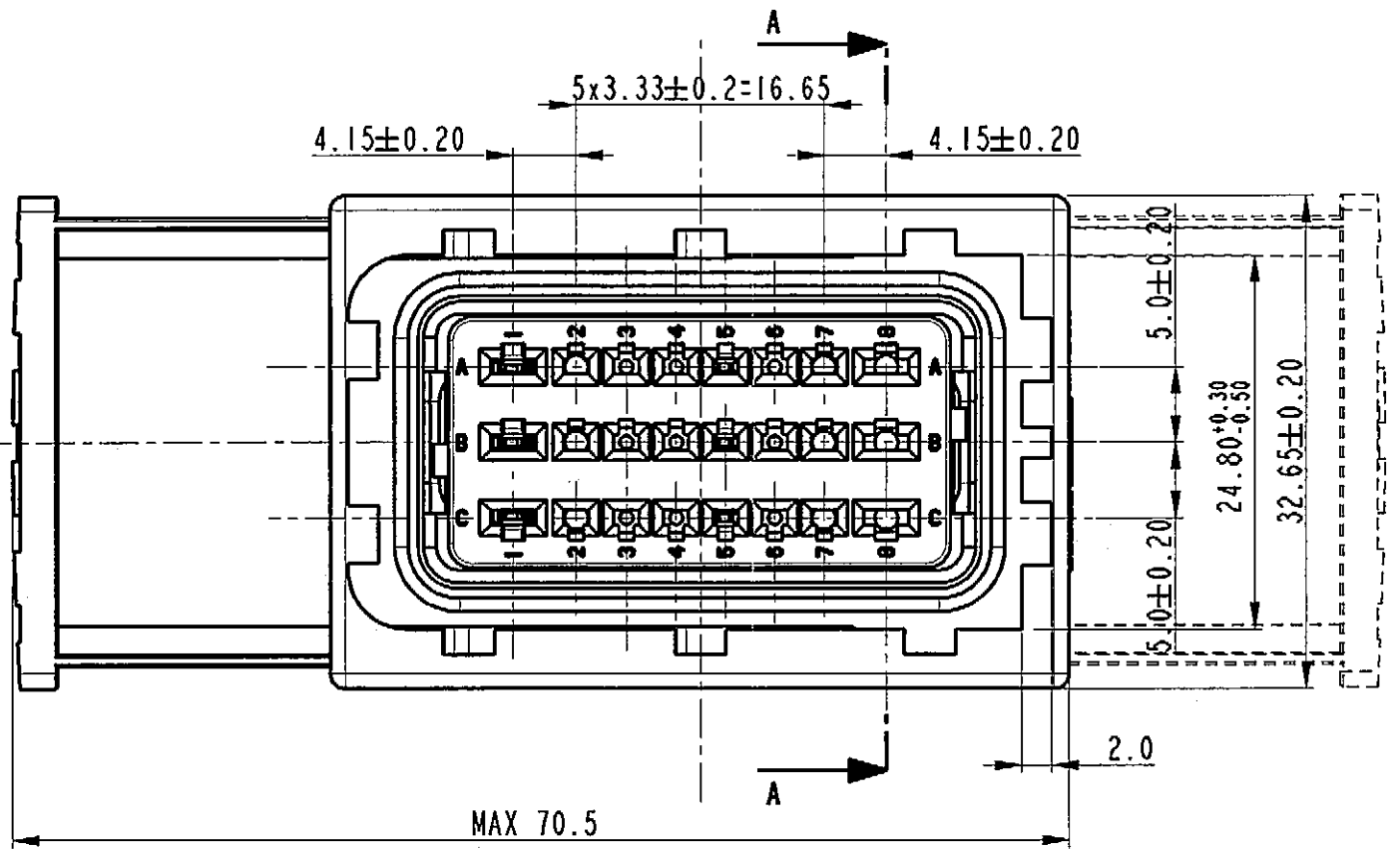


STRICTLY CONFIDENTIAL



N°	DESCRIPTION	COLOR	MATERIAL
1	HOUSING	BLACK-BROWN BLUE-GREY	SEE SHEET 2/3-3/3
2	SEC. LOCK	YELLOW	PBT
3	GASKET	RED	SILICON
4	GROMMET	RED, GREEN or BLUE	SILICON
5	GROMMET STOP	BLACK-BROWN	PBT
6	SLED	VIOLET or GREY	PA 6.6

SPC Statistical Process Control

ECN-NO. NUMERO -ECN	DATE DATA	REVISION REVISIONE	POSITION POSIZIONE	CHANGE DESCRIPTION DESCRIZIONE MODIFICA	DRAWN BY DISEGNATORE	CHK. BY CONTROLLATO	APPR. BY APPROVATO
ECN 17/04	28/05/04	07		See ECN Documentation			
ECN 10/04	17/02/04	06		ADDED 3 CATALOG NUMBERS (SEE SHEET 3)	R.R.	G.S.	
ECN 41/03	05/11/03	05		RELEASED FOR PRODUCTION	R.R.	G.S.	
	28/10/03	04		UPDATED DRAWING	R.R.	G.S.	
	01/09/03	03		MODIFIED MATERIAL FOR THE FOLLOWING P/N 211PC249SX020 - 211PC249SX023 - 1211PC249SX033 WAS PA6 GF 15 PBT GF	R.R.	G.S.	
	28/05/03	02		ADDED P/N 211PC249SX043	R.R.	G.S.	
	21/03/03	01		UPDATED DRAWING	R.R.	G.S.	

CODING TABLE
Tavola di codifica

TOLERANCES ±0.2
Tolleranze

FRONT VIEW
Vista frontale

■: FULL
Pieno

COLOR	BLACK	GREY	BROWN	BLUE
8.0	8.4	4.0	4.2	4.0
2.0		3.8	3.8	0.2±0.1
		0.2±0.1	4.2	4.0
		4.2	4.0	4.2
		4.0	4.2	4.0
	8.4	8.0	4.2	4.2
		6.4±0.2	4.0	4.0

PRODUCT SPEC. SPEC. DI PRODOTTO: --

PACKAGING SPEC. SPEC. DI IMBALLAGGIO: --

APPLICATION SPEC. SPEC. DI APPLICAZIONE: --

THIS DRAWING AND ALL OTHER INFORMATION CONTAINED THEREIN IS PROPRIETARY AND THE PROPERTY OF FCI. THIS DRAWING MAY NOT BE COPIED, REPRODUCED OR DISCLOSED TO ANY THIRD PARTY WITHOUT THE EXPRESSED WRITTEN PERMISSION OF FCI. © FCI April 1999

QUESTO DISEGNO ED OGNI ALTRA INFORMAZIONE IN ESSO CONTENUTA SONO ESCLUSIVI E DI PROPRIETA' DELLA FCI. QUESTO DISEGNO NON PUO' ESSERE COPIATO, RIPRODOTTO O DIVULGATO A TERZI SENZA L'ESPRESSO CONSENSO SCRITTO DELLA FCI. © FCI April 1999

TOLERANCES TOLLERANZE: ± 0.2mm. / ± 0.5°

MATERIAL: MATERIALE: SEE TABLE

COLOR: COLORE: --

TOOL NO.: --

SURFACE FINISH FINITURA SUPERFICIALE: --

DO NOT SCALE DRAWING DISEGNO FUORI SCALA

LOC. CODE NAZIONALITA': I

DRAWN BY DISEGNATORE: 09/01/03 R. Rampone

CHECKED BY CONTROLLATO: 09/01/03 G. Stella

APPROVED BY APPROVATO: --

TITLE DESCRIZIONE: 24 WAYS SECTIONING ASSEMBLY FEMALE HOLDER

ESR NO. NUMERO ESR: ITA2043

FILE NAME HOME FILE: FSC 309602

CAT. NO. NUMERO CAT.: SEE TABLE ON SHEET 2 of 3 AND 3 of 3

DRAWING NUMBER NUMERO DISEGNO: FSC 309602

SHEET FOGLIO: 1 of 3

CAD SYSTEM: pro / eng.

ISO PROJECTION PROIEZIONE ISO: A

DIMENSION IN MILLIMETERS DIMENSIONI IN MILLIMETRI: A3

SCALE SCALA: 2:1

PLEASE COPY WHEN IN RED

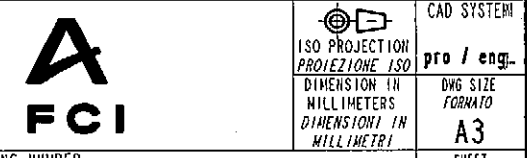
STRICTLY CONFIDENTIAL

COMPONENTS

P/N ASSEMBLY	HOUSING	HOUSING MATERIAL	SEC. LOCK	GASKET	GROMMET "RED"	GROMMET "GREEN"	GROMMET "BLUE"	GROMMET STOP "France"	GROMMET STOP "Italy"	SLED VIOLET "RENAULT"	SLED VIOLET "NEUTRAL" POSITION A	SLED VIOLET "NEUTRAL" POSITION B	SLED "GREY"	DETAIL X
2IIPC249S0018	Black	PA 6	Yes	Yes	Yes			Yes			Yes			
2IIPC249S1018	Brown	PA 6	Yes	Yes	Yes			Yes			Yes			
2IIPC249S6018	Blue	PA 6	Yes	Yes	Yes			Yes			Yes			
2IIPC249S8018	Grey	PA 6	Yes	Yes	Yes			Yes			Yes			
2IIPC249S0031	Black	PA 6	Yes	Yes	Yes			Yes				Yes		
2IIPC249S1031	Brown	PA 6	Yes	Yes	Yes			Yes				Yes		
2IIPC249S6031	Blue	PA 6	Yes	Yes	Yes			Yes				Yes		
2IIPC249S8031	Grey	PA 6	Yes	Yes	Yes			Yes				Yes		
2IIPC249S0020	Black	PBT	Yes											
2IIPC249S1020	Brown	PBT	Yes											
2IIPC249S6020	Blue	PBT	Yes											
2IIPC249S8020	Grey	PBT	Yes											
2IIPC249S0023	Black	PBT	Yes	Yes	Yes				Yes					
2IIPC249S1023	Brown	PBT	Yes	Yes	Yes				Yes					
2IIPC249S6023	Blue	PBT	Yes	Yes	Yes				Yes					
2IIPC249S8023	Grey	PBT	Yes	Yes	Yes				Yes					
2IIPC249S0033	Black	PBT	Yes	Yes		Yes			Yes					
2IIPC249S1033	Brown	PBT	Yes	Yes		Yes			Yes					
2IIPC249S6033	Blue	PBT	Yes	Yes		Yes			Yes					
2IIPC249S8033	Grey	PBT	Yes	Yes		Yes			Yes					
2IIPC249S0043	Black	PA 6	Yes	Yes			Yes	Yes						
2IIPC249S1043	Brown	PA 6	Yes	Yes			Yes	Yes						
2IIPC249S6043	Blue	PA 6	Yes	Yes			Yes	Yes						
2IIPC249S8043	Grey	PA 6	Yes	Yes			Yes	Yes						

MAYBE COPY WHEN IN RED

ECN 17/04	28/05/04	07	See ECN Documentation
ECN 10/04	17/02/04	06	ADDED 3 CATALOG NUMBERS (SEE SHEET 3)
ECN 41/03	05/11/03	05	RELEASED FOR PRODUCTION
	28/10/03	04	UPDATED DRAWING
	01/09/03	03	MODIFIED MATERIAL FOR THE FOLLOWING P/N 21IPC249SX020 - 21IPC249SX023 - 121IPC249SX033 WAS PA6 GF IS PBT GF
	28/05/03	02	ADDED P/N 21IPC249SX043
	21/03/03	01	UPDATED DRAWING
ECN-NO. / NUMERO -ECN	DATE / DATA	REVISION / REVISIONE	POSITION / POSIZIONE
CHANGE DESCRIPTION / DESCRIZIONE MODIFICA			DRAWN BY / DISEGNATORE
PRODUCT SPEC. / SPEC. DI PRODOTTO			CHK. BY / CONTROLLATO
PACKAGING SPEC. / SPEC. DI IMBALLAGGIO			APPR. BY / APPROVATO
APPLICATION SPEC. / SPEC. DI APPLICAZIONE			
THIS DRAWING AND ALL OTHER INFORMATION CONTAINED THEREIN IS PROPRIETARY AND THE PROPERTY OF FCI. This drawing may not be copied, reproduced or disclosed to any third party without the expressed written permission of FCI. © FCI April 1999			
QUESTO DISEGNO ED OGNI ALTRA INFORMAZIONE IN ESSO CONTENUTA SONO ESCLUSIVI E DI PROPRIETA' DELLA FCI. Questo disegno non puo' essere copiato, riprodotto o divulgato a terzi senza l' espresso consenso scritto della FCI. © FCI April 1999			
TOLERANCES / TOLLERANZE		MATERIAL / MATERIALE	SURFACE FINISH / FINITURA SUPERFICIALE
± 0.2mm. / ± 0.5°		SEE TABLE	
DO NOT SCALE DRAWING / DISEGNO FUORI SCALA		COLOUR / COLORE	LOC. CODE / NAZIONALITA'
		TOOL NO.	I
DRAWN BY / DISEGNATORE		TITLE / DESCRIZIONE	DRAWING NUMBER / NUMERO DISEGNO
09/01/03 R. Rampone		24 WAYS SECTIONING ASSEMBLY FEMALE HOLDER	FSC 309602
CHECKED BY / CONTROLLATO			
09/01/03 G. Stella			
APPROVED BY / APPROVATO		ESR NO. / NUMERO ESR	CAT. NO. / NUMERO CAT.
		ITA2043	SEE TABLE
		FILE NAME / NOME FILE	SCALE / SCALA
		FSC 309602	2:1

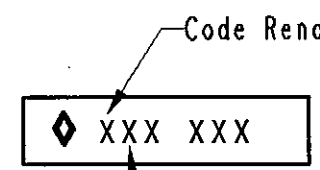
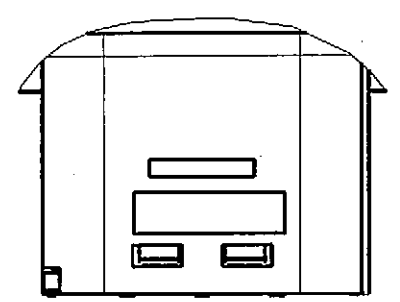


STRICTLY CONFIDENTIAL

COMPONENTS

P/N ASSEMBLY	HOUSING	HOUSING MATERIAL	SEC. LOCK	GASKET	GROMMET "RED"	GROMMET "GREEN"	GROMMET "BLUE"	GROMMET STOP France	GROMMET STOP Italy	SLED VIOLET "RENAULT"	SLED VIOLET "NEUTRAL" POSITION A	SLED VIOLET "NEUTRAL" POSITION B	SLED "GREY"	DETAIL X
2IIPC249S0005	Black	PBT	Yes	Yes	Yes			Yes						Yes
2IIPC249SI005	Brown	PBT	Yes	Yes	Yes			Yes						Yes
2IIPC249S6005	Blue	PBT	Yes	Yes	Yes			Yes						Yes
2IIPC249S8005	Grey	PBT	Yes	Yes	Yes			Yes						Yes
2IIPC249S0053	Black	PBT	Yes	Yes		Yes			Yes			Yes		
2IIPC249SI053	Brown	PBT	Yes	Yes		Yes			Yes			Yes		
2IIPC249S8053	Grey	PBT	Yes	Yes		Yes			Yes			Yes		

DETAIL "X"
 (Specific only for Renault Version)



Code Renault

Text height 2 mm in relief 0.1 mm

ECN 17/04	28/05/04	07		See ECN Documentation			
ECN 10/04	17/02/04	06		ADDED 3 CATALOG NUMBERS (SEE SHEET 3)	R.R.G.S.		
ECN 41/03	05/11/03	05		RELEASED FOR PRODUCTION	R.R.G.S.		
	28/10/03	04		UPDATED DRAWING	R.R.G.S.		
	01/09/03	03		MODIFIED MATERIAL FOR THE FOLLOWING P/N 2IIPC249SX020 - 2IIPC249SX023 - 12IIPC249SX033 WAS PA6 GF IS PBT GF	R.R.G.S.		
	28/05/03	02		ADDED P/N 2IIPC249SX043	R.R.G.S.		
	21/03/03	01		UPDATED DRAWING	R.R.G.S.		
ECN-NO. NUMERO - ECH	DATE DATA	DD / MM / YY	REVISION REVISIONE	POSITION POSIZIONE	CHANGE DESCRIPTION DESCRIZIONE MODIFICA	DRAWN BY DISEGNATORE	
PRODUCT SPEC. SPEC. DI PRODOTTO	PACKAGING SPEC. SPEC. DI IMBALLAGGIO	APPLICATION SPEC. SPEC. DI APPLICAZIONE	THIS DRAWING AND ALL OTHER INFORMATION CONTAINED THEREIN IS PROPRIETARY AND THE PROPERTY OF FCI. This drawing may not be copied, reproduced or disclosed to any third party without the expressed written permission of FCI. © FCI April 1999			QUESTO DISEGNO ED OGNI ALTRA INFORMAZIONE IN ESSO CONTENUTA SONO ESCLUSIVI E DI PROPRIETA' DELLA FCI. Questo disegno non puo' essere copiato, riprodotto o divulgato a terzi senza l' espresso consenso scritto della FCI. © FCI April 1999	
TOLERANCES TOLLERANZE		MATERIAL : MATERIALE :		SURFACE FINISH FINITURA SUPERFICIALE		CAD SYSTEM	
± 0.2mm. / ±0.5°		SEE TABLE				ISO PROJECTION PROIEZIONE ISO	
DO NOT SCALE DRAWING DISEGNO FUORI SCALA		COLOUR : COLORE :		TOOL NO.		pro / eng.	
				LOC. CODE NAZIONALITA'		DWG SIZE FORMATO	
		TITLE DESCRIZIONE		DRAWING NUMBER NUMERO DISEGNO		A3	
DRAWN BY DISEGNATORE		09/01/03 R. Rampone		24 WAYS SECTIONING ASSEMBLY FEMALE HOLDER		SHEET FOGLIO	
CHECKED BY CONTROLLATO		09/01/03 G. Stella		FSC 309602		3 of 3	
APPROVED BY APPROVATO		ESR NO. NUMERO ESR		ITA2043		SCALE SCALA	
		FILE NAME NONE FILE		FSC 309602		1:1	
		CAT. NO. NUMERO. CAT.		SEE TABLE			

TAKEN COPY WHEN IN PSD

X-ON Electronics

Largest Supplier of Electrical and Electronic Components

Click to view similar products for [Automotive Connectors](#) category:

Click to view products by [APTIV](#) manufacturer:

Other Similar products are found below :

[003-018-000](#) [60403001](#) [60993906-B](#) [629515004020001](#) [M902-2131](#) [M902-2161](#) [72.330.1035.1](#) [73.353.4028.0](#) [F119300-B](#) [F166900](#)
[F258300-B](#) [F358300-B](#) [F407400](#) [F444110](#) [F487000](#) [F509500B-B](#) [827153-1](#) [8N1515-32-24P](#) [9-1326729-8](#) [925474-1](#) [928905-1](#) [964562-4](#)
[968782-1](#) [GT17SA-8DS-HU](#) [98891-1012](#) [98947-1016](#) [12004475-L](#) [12010290](#) [12010309-B](#) [12015454](#) [12020219-B](#) [12020308](#) [12041318-B](#)
[12052225-L](#) [12052466](#) [12059125](#) [12064869](#) [12004327-B](#) [12010503-B](#) [12015308](#) [12015384](#) [12015909](#) [1-21030-1](#) [12041254](#) [12041318](#)
[12047946-B](#) [12047957](#) [12047957-L](#) [12059473](#) [12066261](#)