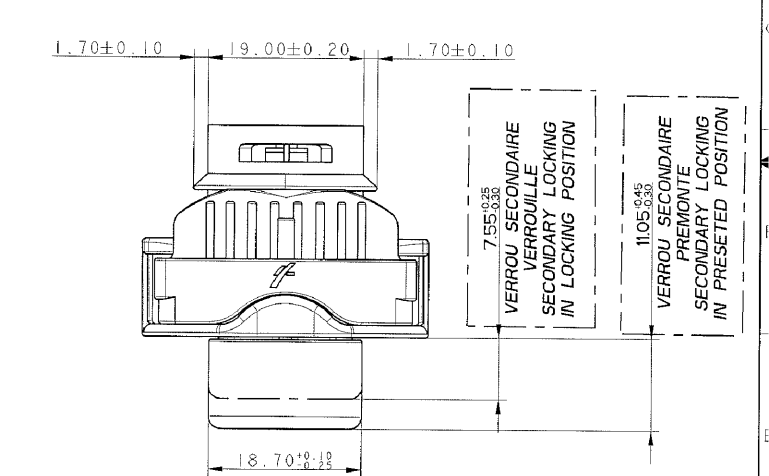
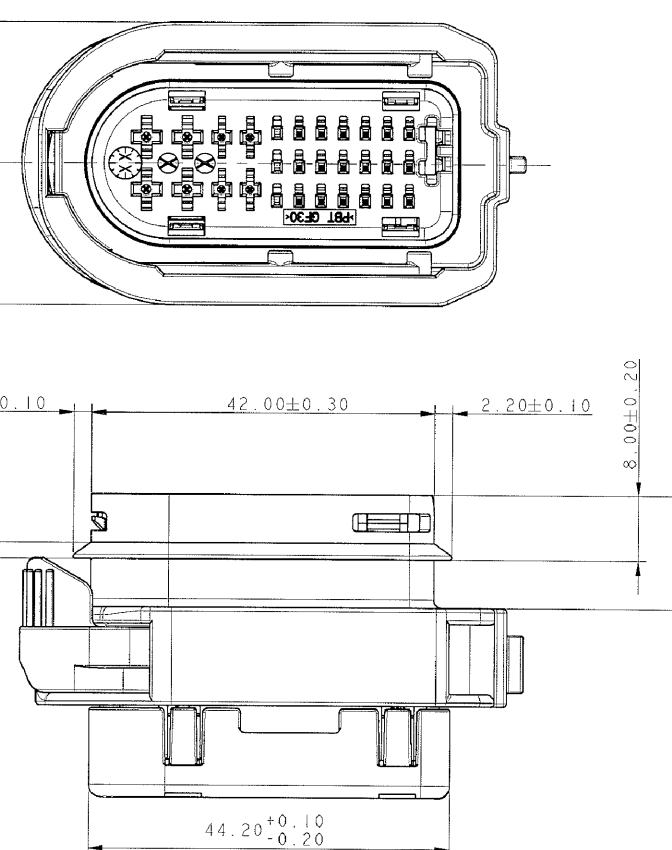
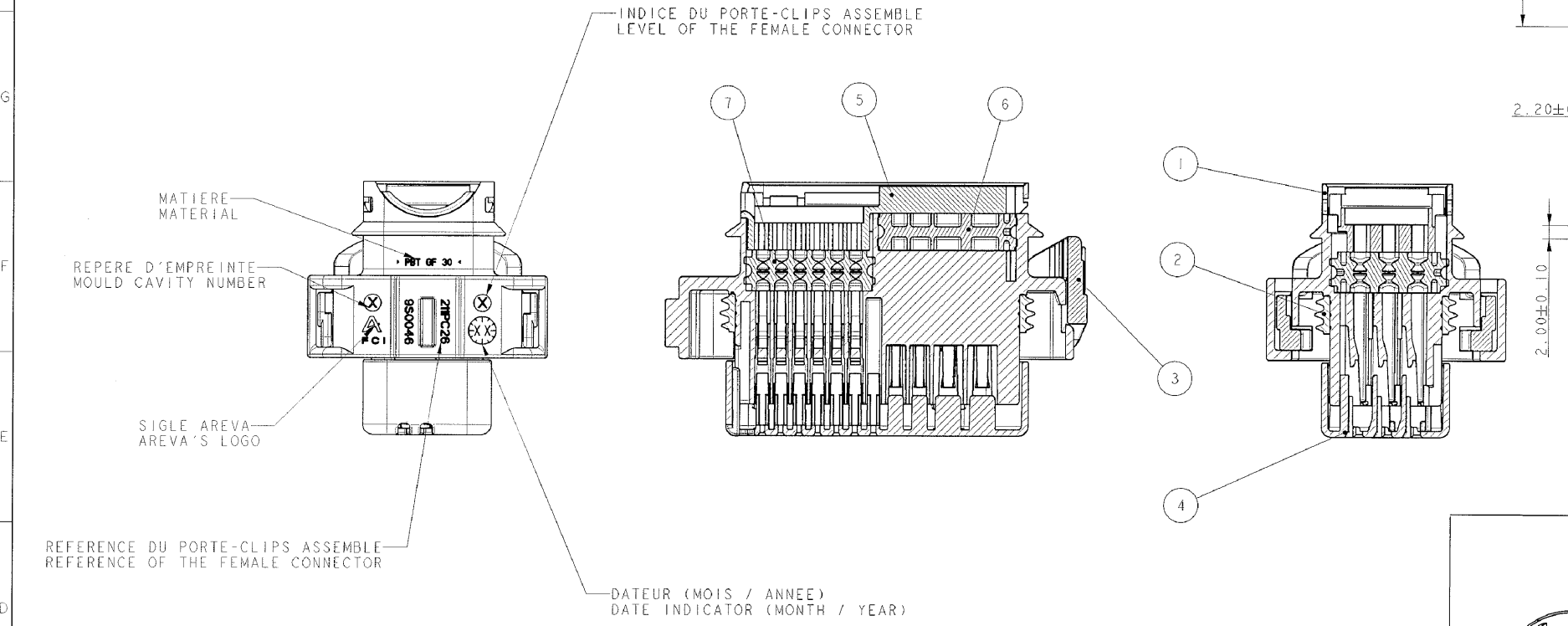


PORTE-LANGUETTE 29V 29V MALE CONNECTOR	211 PL 29 9 S 0 042
PLAN D'EMPREINTE FOOTPRINT'S DRAWING	211 FT 0482
PRODUITS ASSOCIES ASSOCIATED PRODUCTS	



Ø DE FILS MINI ET MAXI ADMISSIBLE POUR GARANTIR L'ETANCHEITE DU PRODUIT ALLOWABLE MINIMUM AND MAXIMUM WIRES DIAMETER TO GUARANTEE THE WATERTHICKNESS OF THE PRODUCT

TYPE DE CONTACT TYPE OF CONTACT	Ø MINI MINIMUM Ø	Ø MAXI MAXIMUM Ø
0.635	1.35	1.90
1.5	1.80	2.80
2.8	2.70	3.90

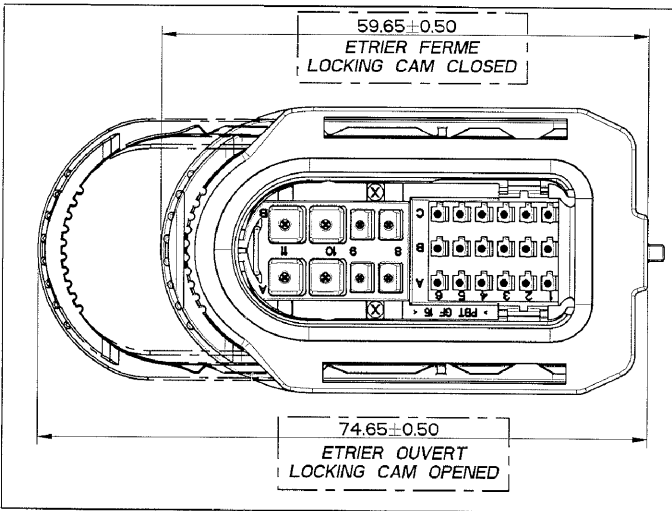
NOTA : LES COTES INDIQUEES EN GRAS ET ENCADREES SONT DES COTES D'ASSEMBLAGE.
NOTE : BOLD AND BOXED DIMENSIONS ARE ASSEMBLY DIMENSIONS.

LE PORTE-CLIPS EST LIVRE AVEC L'ETRIER EN POSITION FERME. THE FEMALE CONNECTOR IS DELIVERED WITH LOCKING CAM IN CLOSED POSITION.

NOMENCLATURE / BILL OF MATERIAL

REPERE BALLON	QUANTITE	DESIGNATION DESCRIPTION	MATIERE MATERIAL	COULEUR COLOR	REFERENCE FCI FCI P/N
8	1	SHUNT SHUNT	Cu Mgl	-	211 C 124
7	1	GROMMET (CONTACT 0.635) MATTE SEAL (0.635 TERMINALS)	SILICONE SILICON	ORANGE ORANGE	211 M 3 128
6	1	GROMMET (CONTACT 1.5 & 2.8) MATTE SEAL (1.5 & 2.8 TERMINALS)	SILICONE SILICON	JAUNE YELLOW	211 M 4 129
5	1	PLAQUETTE ARRIERE REAR GRID	PBT 15% FV PBT GF 15	GRIS GREY	211 M 8 127
4	1	VERROU SECONDAIRE SECONDARY LOCK	PBT 30% FV PBT GF 30	JAUNE YELLOW	211 M 4 103
3	1	ETRIER SLIDER DEVICE	PA 6.6 30% FV PA 6.6 GF 30	NOIR BLACK	211 M 0 102
2	1	JOINT INTERFACIAL MATING SEAL	SILICONE SILICON	GRIS GREY	211 M 8 106
1	1	PORTE-CLIPS FEMALE HOUSING	PBT 30% FV PBT GF 30	NOIR BLACK	211 I 0 07X

TYPE CLIP FEMALE TERMINAL TYPE	GAMME RANGE	REFERENCE
2.8 x 0.8 SICMA 3	1 to 2	211 CC 3 S X 1 X 0
2.8 x 0.8 SICMA 2	1 to 3	211 CC 3 S X X 2 0
1.5 x 0.8 SICMA 3	1 to 2	211 CC 2 S X X 6 0
1.5 x 0.8 SICMA 2	1 to 2	211 CC 2 S X X X 0
1 x 0.635 MICRO SICMA	0 to 1	211 CC 1 S X X X 24



ARCHIVE 02/11/04

REVISIONS

NO	DATE	BY	REVISION
1	02/11/04	B00	Initial release

FCI

26 WAY DOOR TO BODY CONNECTOR SEALED FEMALE CONNECTOR

211 FT 0430

NOTE: PART(S) MUST COMPLY WITH CURRENT END-CUSTOMER REQUIREMENTS

DELPHI
DELPHI PACKARD ELECTRIC SYSTEMS - POLAND 30 - 399 KRAKOW

THIS DRAWING IS THE PROPERTY OF DELPHI CORPORATION. NO RIGHTS ARE GRANTED TO USE THIS DRAWING FOR ANY PURPOSE OTHER THAN THE FURNISHING OF SERVICES AND SUPPLIES TO DELPHI CORPORATION.

NO	DATE
APR	A.KALINSKA 15NO11
APR	P.KUTRYBALA 15NO11
APR	R.DEKA 15NO11

SUBSTANCES OF CONCERN AND RECYCLED CONTENT PER DELPHI-A 1004-0001

SEE DRAWING

ASM CONN 26 F 0.635 1.5 2.8 SLD

DATE	10811873
DRAWING NO	10811873
DRAWING NAME	ASM CONN 26 F 0.635 1.5 2.8 SLD

10811873	01	AA	ACTIVE	211PC269S0046	B00
PART NO	REV	N/P	GLOBAL STATUS	SUP PN	SUP REV

10811873	01	AA	ACTIVE	211PC269S0046	B00
PART NO	REV	N/P	GLOBAL STATUS	SUP PN	SUP REV

X-ON Electronics

Largest Supplier of Electrical and Electronic Components

Click to view similar products for [Automotive Connectors](#) category:

Click to view products by [APTIV](#) manufacturer:

Other Similar products are found below :

[003-018-000](#) [60403001](#) [60993906-B](#) [629515004020001](#) [M902-2131](#) [M902-2161](#) [72.330.1035.1](#) [73.353.4028.0](#) [F119300-B](#) [F166900](#)
[F258300-B](#) [F358300-B](#) [F407400](#) [F444110](#) [F487000](#) [F509500B-B](#) [827153-1](#) [8N1515-32-24P](#) [9-1326729-8](#) [925474-1](#) [928905-1](#) [964562-4](#)
[968782-1](#) [GT17SA-8DS-HU](#) [98891-1012](#) [98947-1016](#) [12004475-L](#) [12010290](#) [12010309-B](#) [12015454](#) [12020219-B](#) [12020308](#) [12041318-B](#)
[12052225-L](#) [12052466](#) [12059125](#) [12064869](#) [12004327-B](#) [12010503-B](#) [12015308](#) [12015384](#) [12015909](#) [1-21030-1](#) [12041254](#) [12041318](#)
[12047946-B](#) [12047957](#) [12047957-L](#) [12059473](#) [12066261](#)