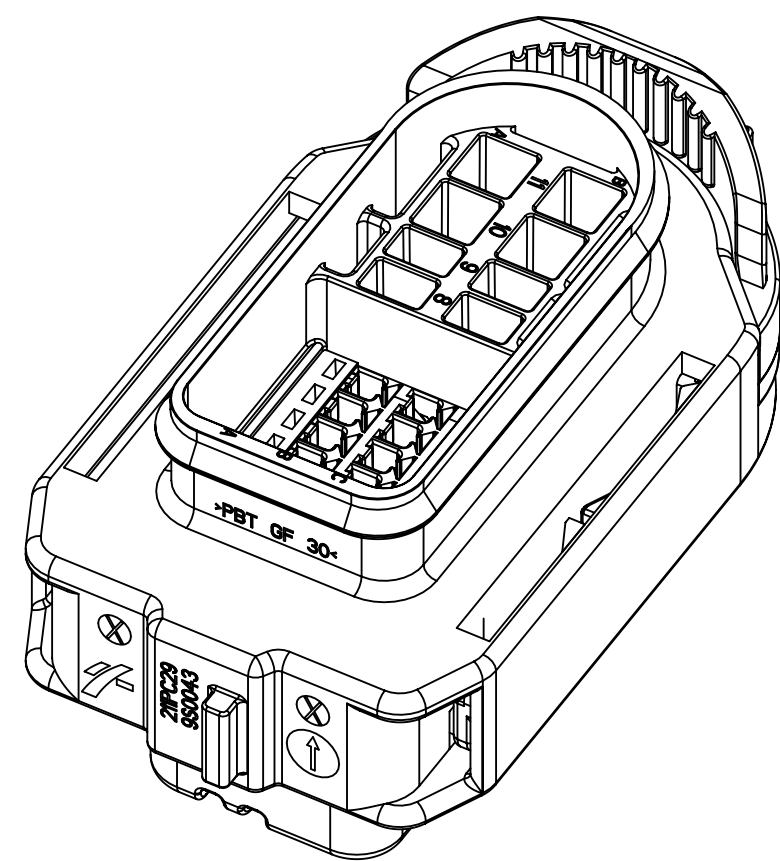
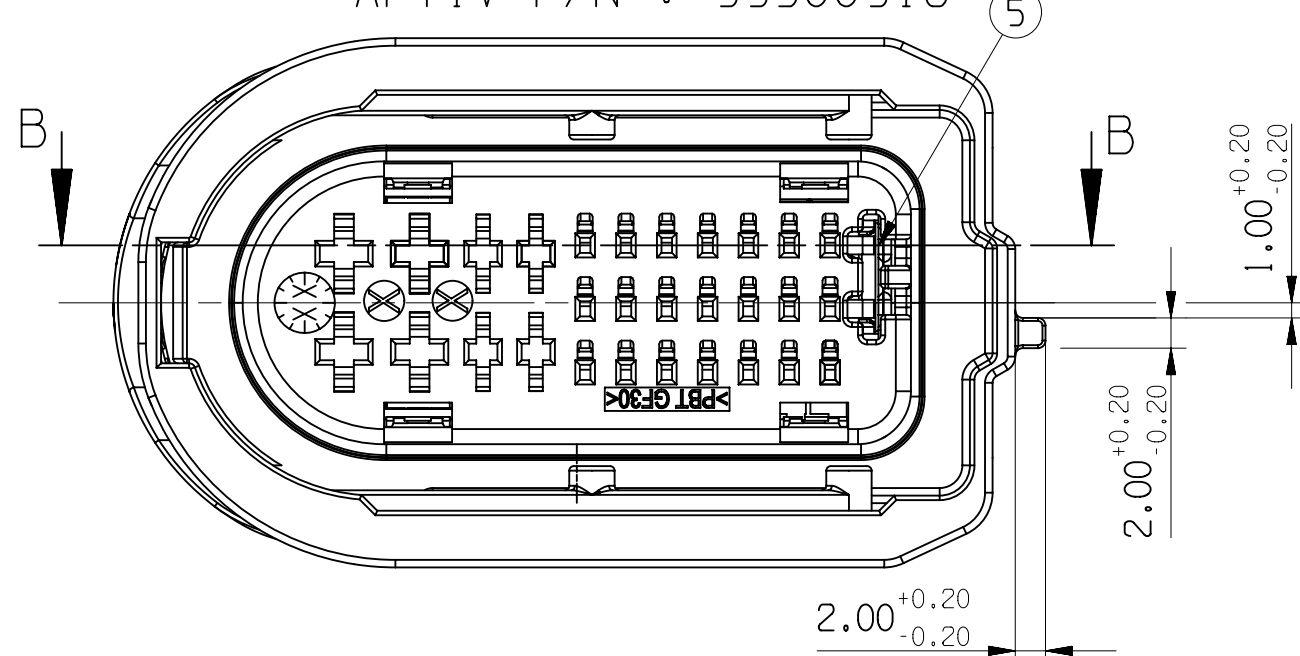
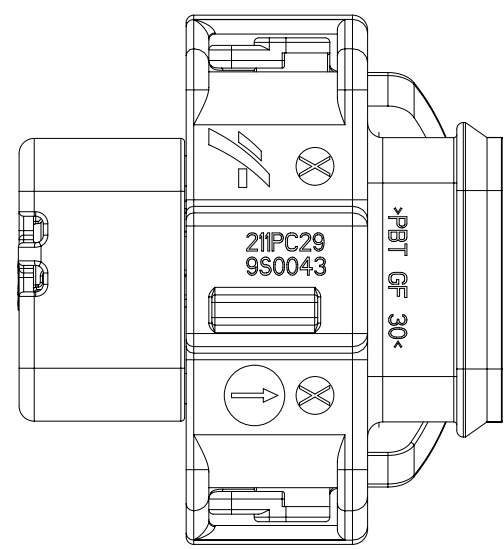
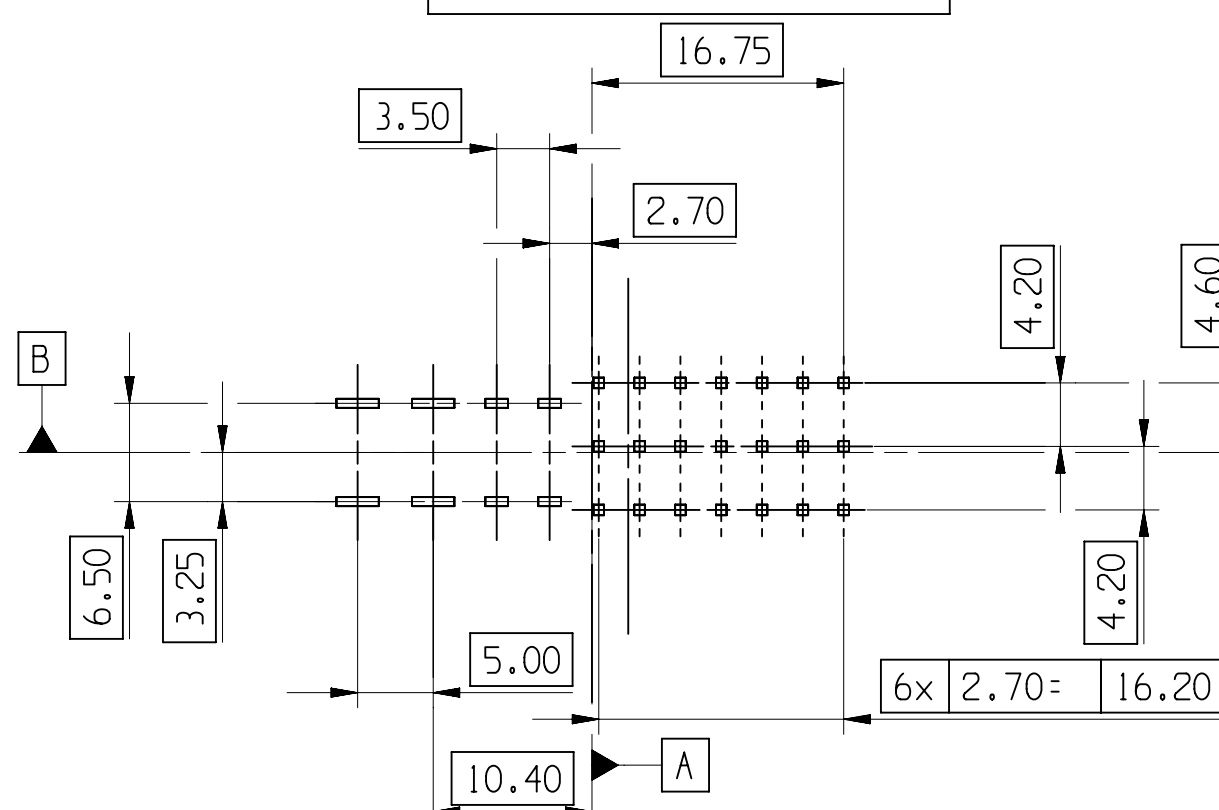


VERSION AVEC SHUNT
FEMALE CONNECTOR WITH SHUNT
MVL P/N : 211 PC 29 95 0 043
APTIV P/N : 33500316



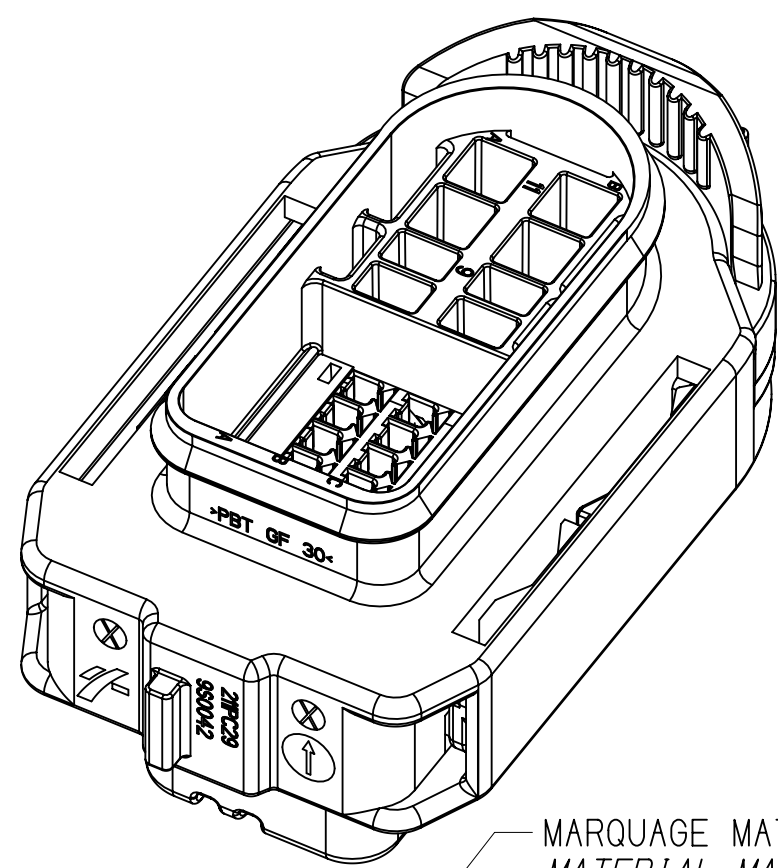
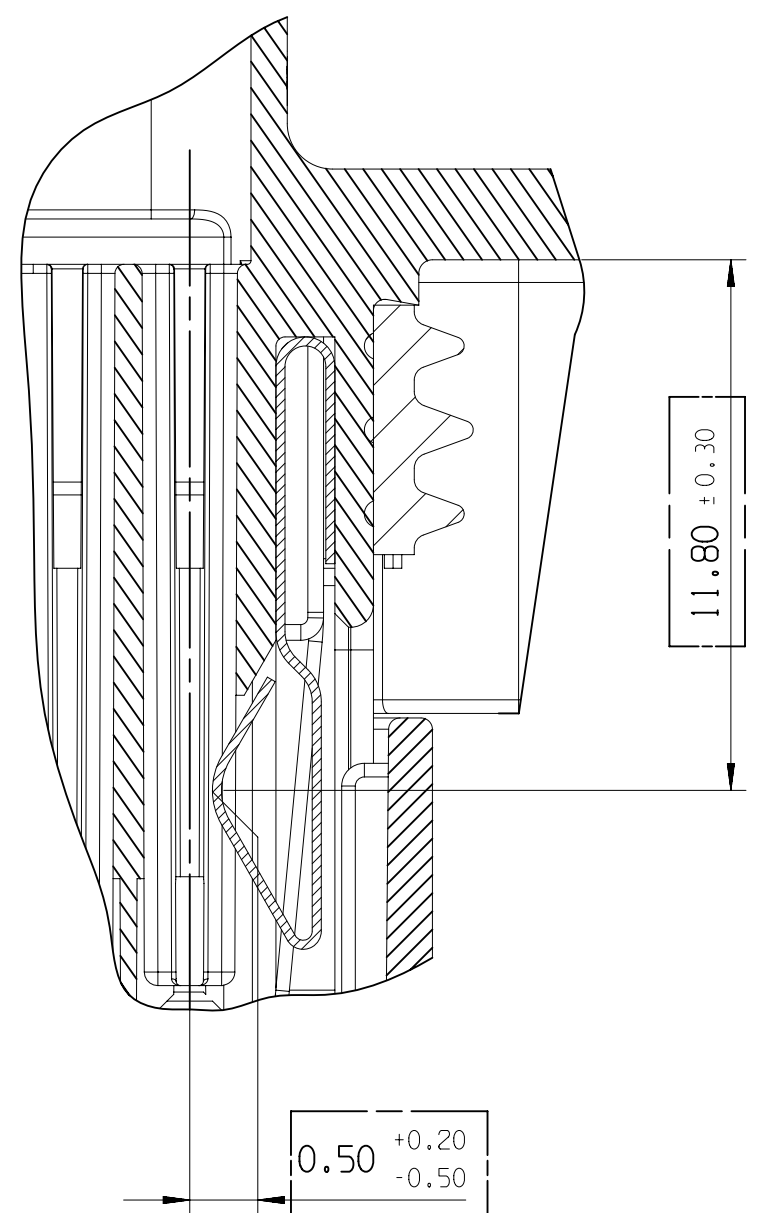
IMPLANTATION DES ALVEOLES
CAVITIES LAY OUT



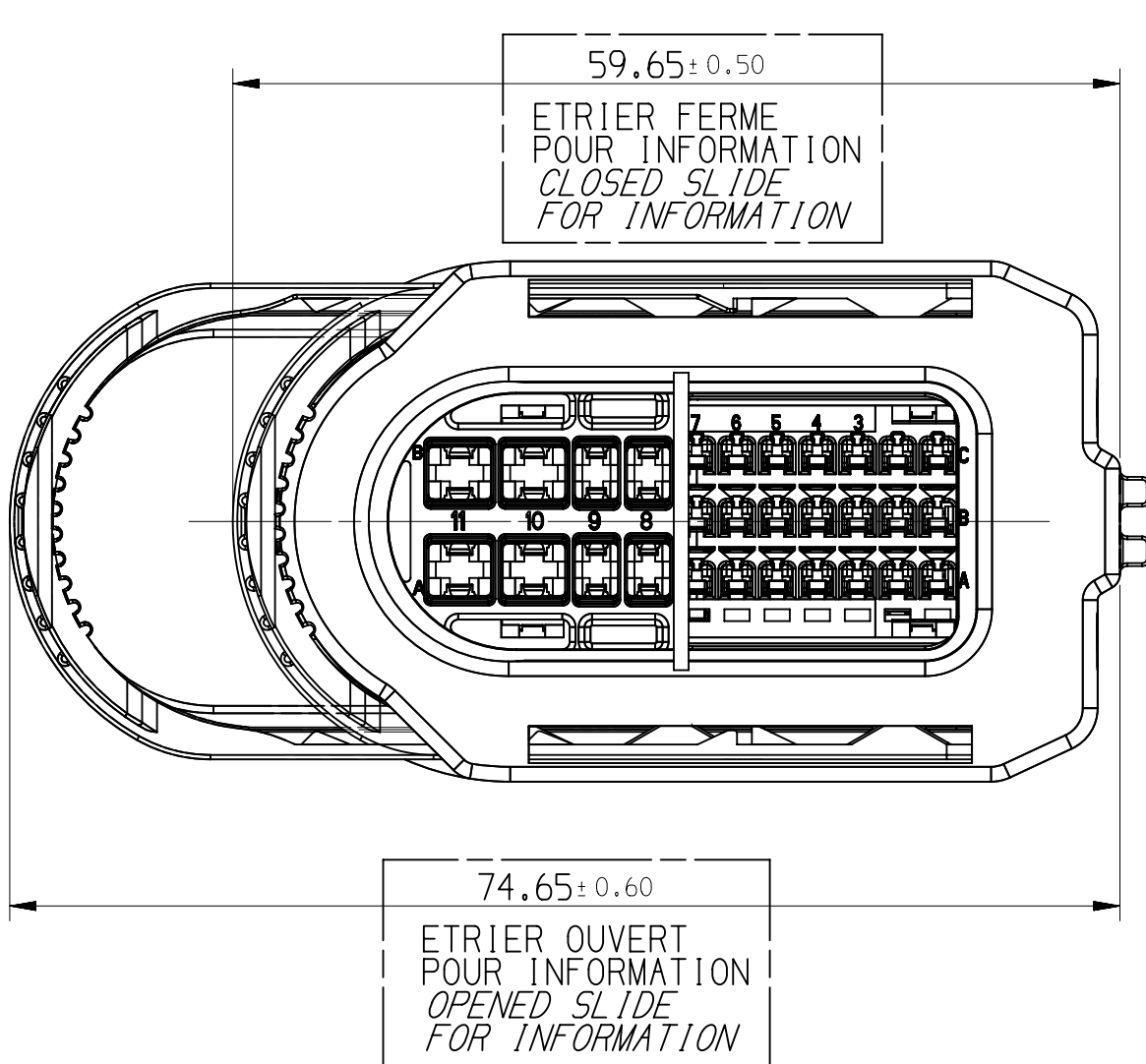
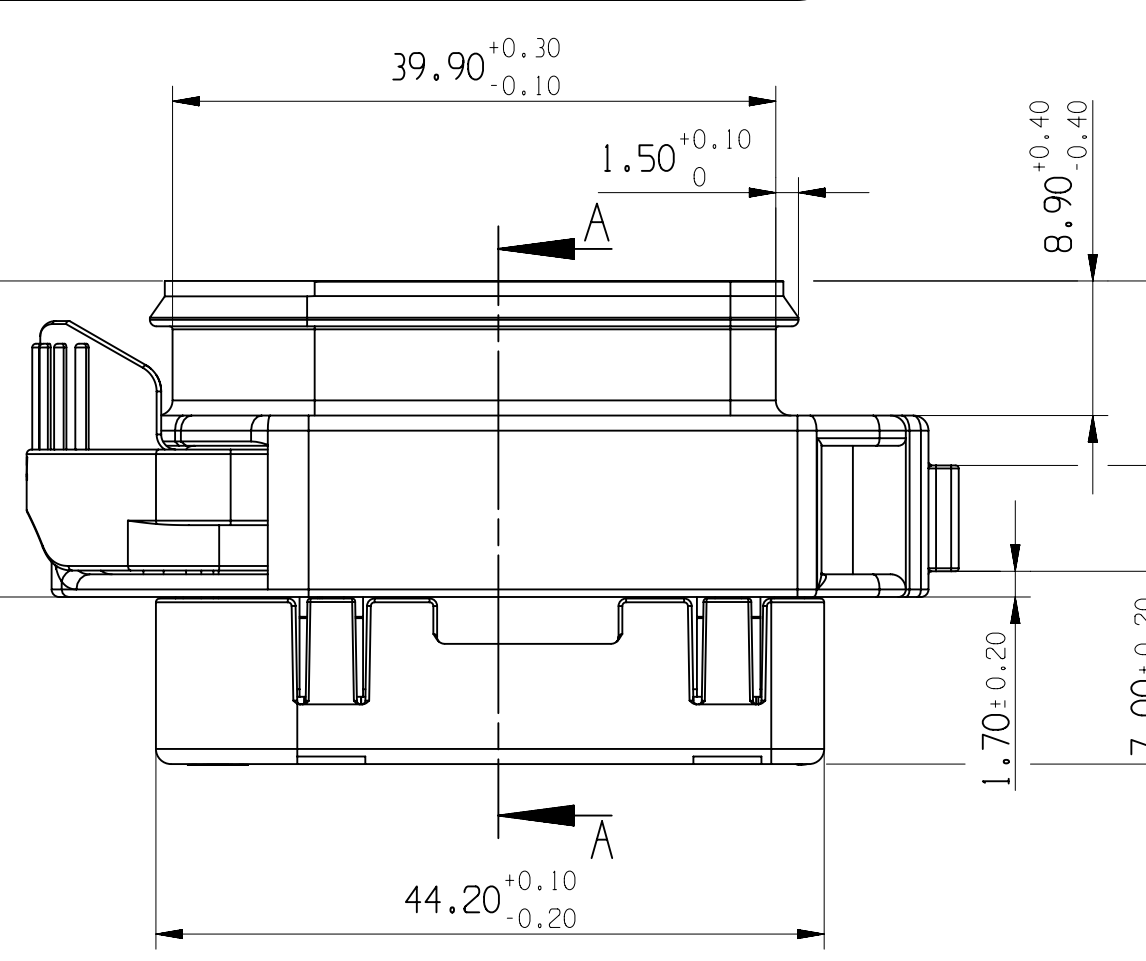
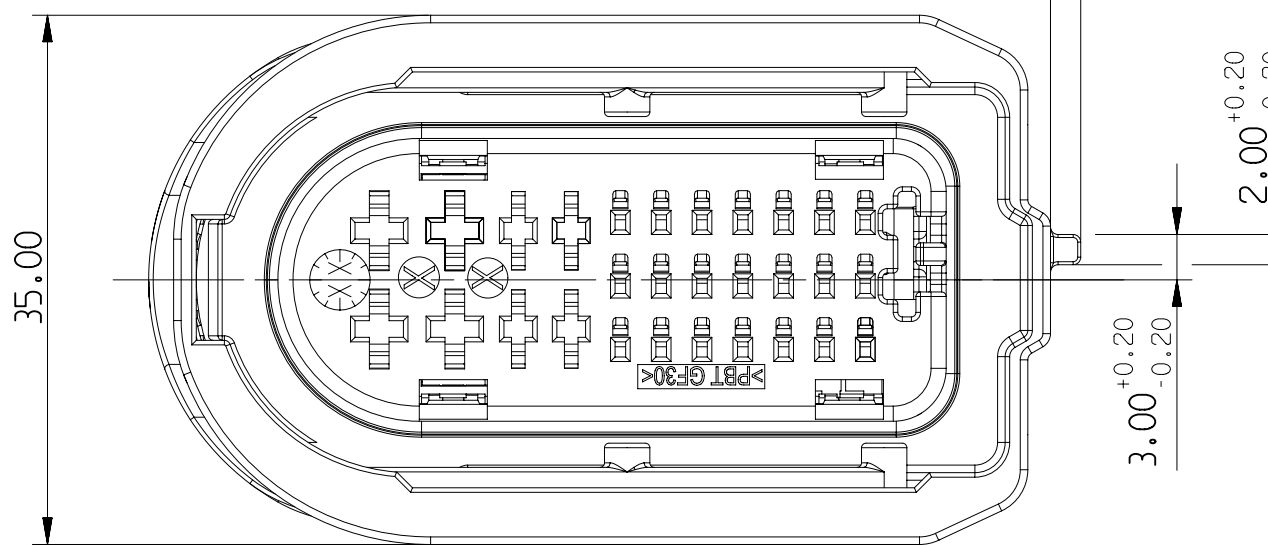
DWG STATUS		ZONE		REVISION HISTORY			AUTH	DR	APVD 1	APVD 2
DATE	STG	REV	N/P/CHG							
30NO18	R	01		FILE TRANSLATED FROM MVL SYSTEM REDRAWN IN NX				VSR	TRN	TRN
21MY19	R	02		UPDATED TO APTIV STANDARD APTIV P/N ADDED SLIDER MATERIAL UPDATED MVL REVISION LEVEL PASSED TO C (CR-18/2053)				K.ANJ	J.LAL	L.LEC

DETAIL SHUNT
SHUNT DETAIL

SECTION B-B
SCALE 6:1



VERSION SANS SHUNT
FEMALE CONNECTOR WITHOUT SHUNT
MVL P/N : 211 PC 29 95 0 042
APTIV P/N : 10819390



REPERE D'EMPREINTE
MOULD CAVITY POSITIONING

MARQUAGE MATIERE
MATERIAL MARKING

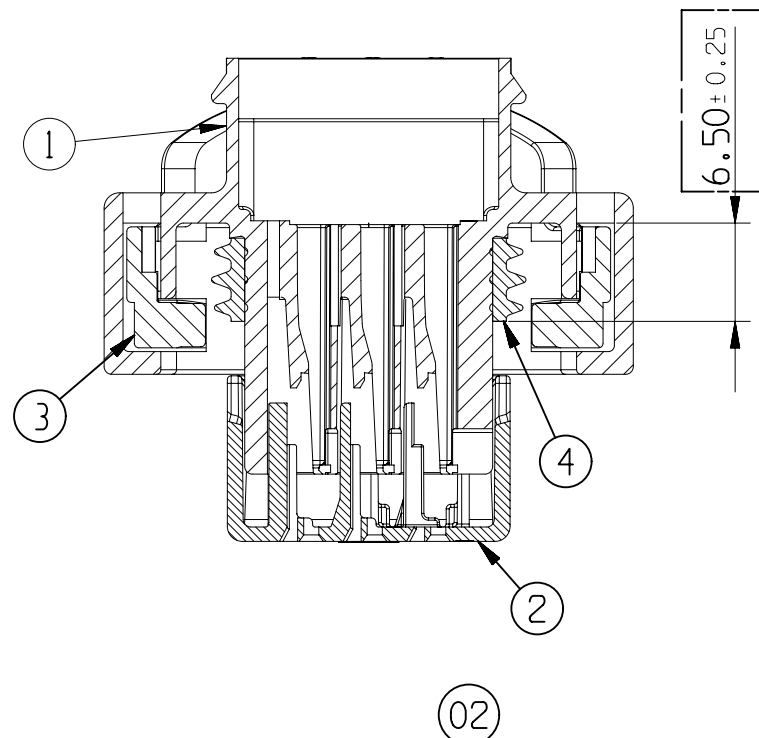
INDICE DU PORTE-CLIPS ASSEMBLE
LEVEL OF THE FEMALE CONNECTOR

SIGLE MVL
LOGO MVL

DATEUR (MOIS / ANNEE)
DATE INDICATOR (MONTH / YEAR)

REFERENCE DU PORTE-CLIPS ASSEMBLE
REFERENCE OF THE FEMALE CONNECTOR

SECTION A-A



DWG TYP	PART DRAWING	DISTR CODE	
WEIGHT (GR)			
VOLUME (CM ³)			
ROUTING			

UNLESS OTHERWISE SPECIFIED

GENERAL TOLERANCES
ACCORDING TO:
±0.3 ±3°

GD&T
ACCORDING TO:

UNLESS OTHERWISE SPECIFIED

GENERAL TOLERANCES
ACCORDING TO:
±0.3 ±3°

GD&T
ACCORDING TO:

UNLESS OTHERWISE SPECIFIED

GENERAL TOLERANCES
ACCORDING TO:
±0.3 ±3°

GD&T
ACCORDING TO:

APTIV

CONNECTION SYSTEMS
Chennai, India

COPYRIGHT 2013 APTIV. ALL RIGHTS RESERVED.
THIS DRAWING IS THE PROPERTY OF APTIV AND CONTAINS APTIV CONFIDENTIAL INFORMATION. THE REPRODUCTION, DISTRIBUTION AND UTILIZATION OF THIS DOCUMENT OR ITS RELATED CAD MATH DATA, AS WELL AS COMMUNICATION OF ANY CONTENT TO OTHERS, WITHOUT EXPRESS AUTHORIZATION, IS PROHIBITED.

CE PLAN EST LE PROPRIETE DE APTIV ET CONTIENT DES INFORMATIONS APTIV CONFIDENTIELLES. LA REPRODUCTION, LA DISTRIBUTION ET L'UTILISATION DE CE DOCUMENT OU DE SES DONNEES MATHÉMATIQUES CAO, AINSI QUE LA COMMUNICATION DE TOUT CONTENU À AUTRUI, SANS AUTORISATION EXPRESSE EST INTERDITE.

DR	S.LOAS	DATE	28AU00
APVD1	F FAURIE	14MY13	
APVD2	S LACOTE	14MY13	
APVD3	Pascal MENARD	14MY13	
APVD4			
APVD5			

SUBSTANCES OF CONCERN AND RECYCLED CONTENT PER APTIV 10949001 MATIERES PROSCRITES ET CONTENU RECYCLABLE SELON APTIV 10949001

MATERIAL
SEE TABLE

DRAWING NAME
29 WAY DOOR

FEMALE CONNECTOR

DRAWING NUMBER
33526183

SIZE	SCALE	FRAME NO	SHEET NO	STG	REV	N/P
A1	2:1	1 OF 1	1 OF 1	R	02	

Rep Item	DESIGNATION DESCRIPTION	REF. MVL	REF. APTIV	MATIERE MATERIAL	COULEUR COLOR	INDICE PIECE P/N REVISION
5	SHUNT SHUNT	211 C 124	33513987	Cu Mg 1		
4	JOINT INTERFACIAL INTERFACIAL SEAL	211 M 8106	33508068	SILICONE STYICON	GRIS GREY	
3	ETRIER SLIDER	211 M 0102	33508032	PBT GF 15	NOIR BLACK	02
2	VERROU SECONDAIRE SECONDARY LOCKING	211 M 4103	33508054	PBT GF 30	JAUNE YELLOW	
1	PORTE-CLIPS FEMALE CONNECTOR	211 I 0 069	33505856	PBT GF 30	NOIR BLACK	AVEC SHUNT WITH SHUNT
		211 I 0 059	33505854	PBT GF 30	NOIR BLACK	SANS SHUNT WITHOUT SHUNT
	REFERENCE WITH SHUNT	MVL	211 PC 29 9 5 0 043			C
		CUSTOMER	8200 093 849			
		APTIV	33500316			02
	REFERENCE WITHOUT SHUNT	MVL	211 PC 29 9 5 0 042			C
		CUSTOMER	8200 093 848			
		APTIV	10819390			02

NOTA: LES COTES INDIQUEES EN GRAS ET ENCADREES SONT DES COTES D'ASSEMBLAGE
BOLD AND BOXED DIMENSIONS ARE ASSEMBLY DIMENSIONS

LE PC EST LIVRE AVEC L'ETRIER EN POSITION FERME
THE FEMALE CONNECTOR IS DELIVERED WITH LOCKING CAM IN CLOSED POSITION

X-ON Electronics

Largest Supplier of Electrical and Electronic Components

Click to view similar products for [Automotive Connectors](#) category:

Click to view products by [APTIV](#) manufacturer:

Other Similar products are found below :

[003-018-000](#) [60403001](#) [60993906-B](#) [629515004020001](#) [M902-2131](#) [M902-2161](#) [72.330.1035.1](#) [73.353.4028.0](#) [F119300-B](#) [F166900](#)
[F258300-B](#) [F358300-B](#) [F407400](#) [F444110](#) [F487000](#) [F509500B-B](#) [827153-1](#) [8N1515-32-24P](#) [9-1326729-8](#) [925474-1](#) [928905-1](#) [964562-4](#)
[968782-1](#) [GT17SA-8DS-HU](#) [98891-1012](#) [98947-1016](#) [12004475-L](#) [12010290](#) [12010309-B](#) [12015454](#) [12020219-B](#) [12020308](#) [12041318-B](#)
[12052225-L](#) [12052466](#) [12059125](#) [12064869](#) [12004327-B](#) [12010503-B](#) [12015308](#) [12015384](#) [12015909](#) [1-21030-1](#) [12041254](#) [12041318](#)
[12047946-B](#) [12047957](#) [12047957-L](#) [12059473](#) [12066261](#)