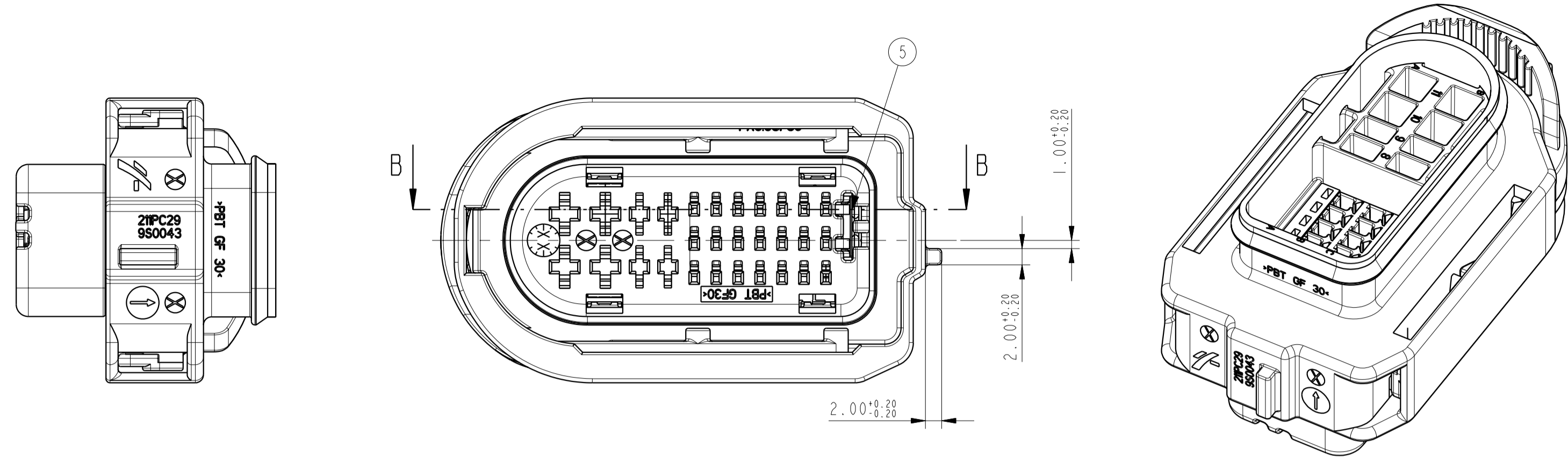
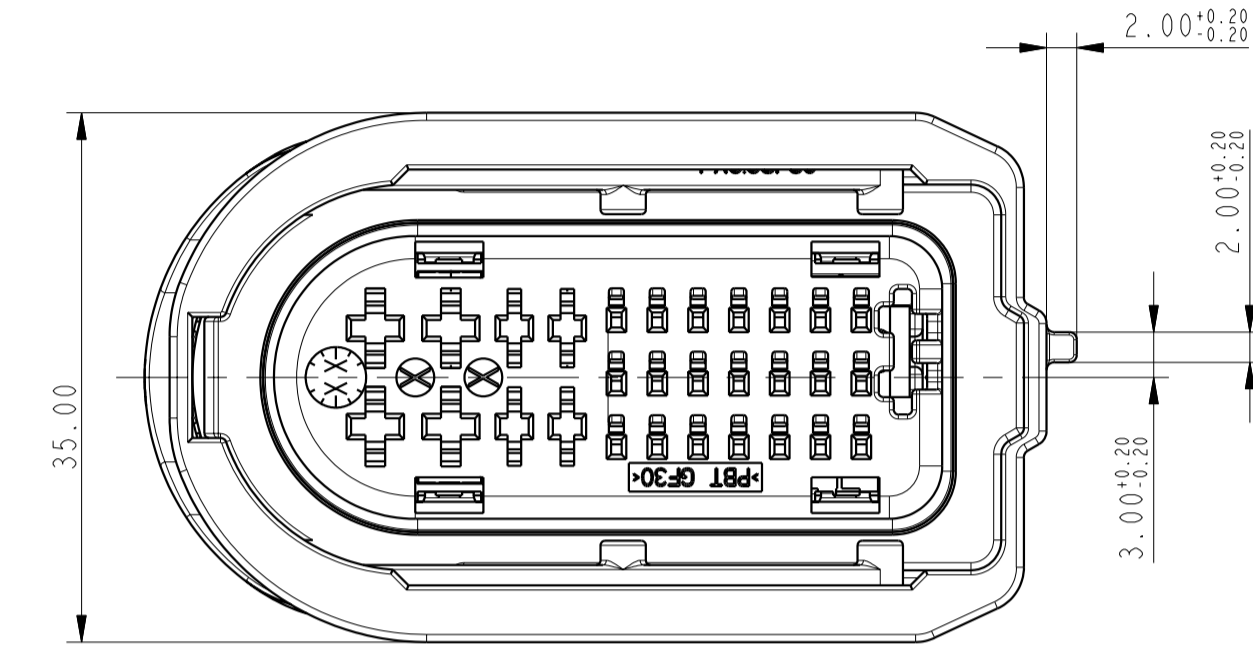
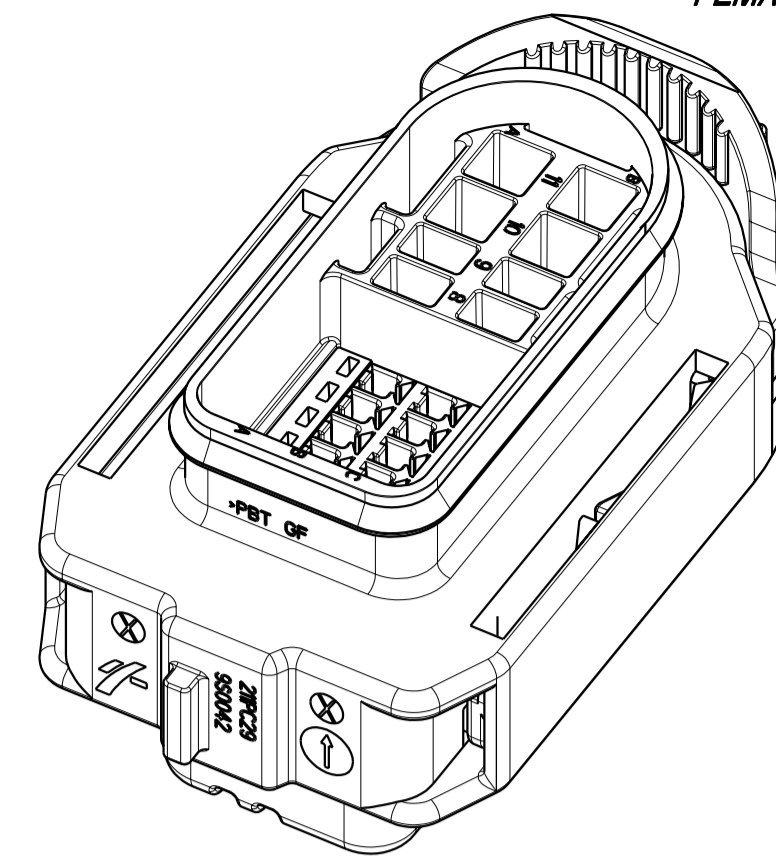


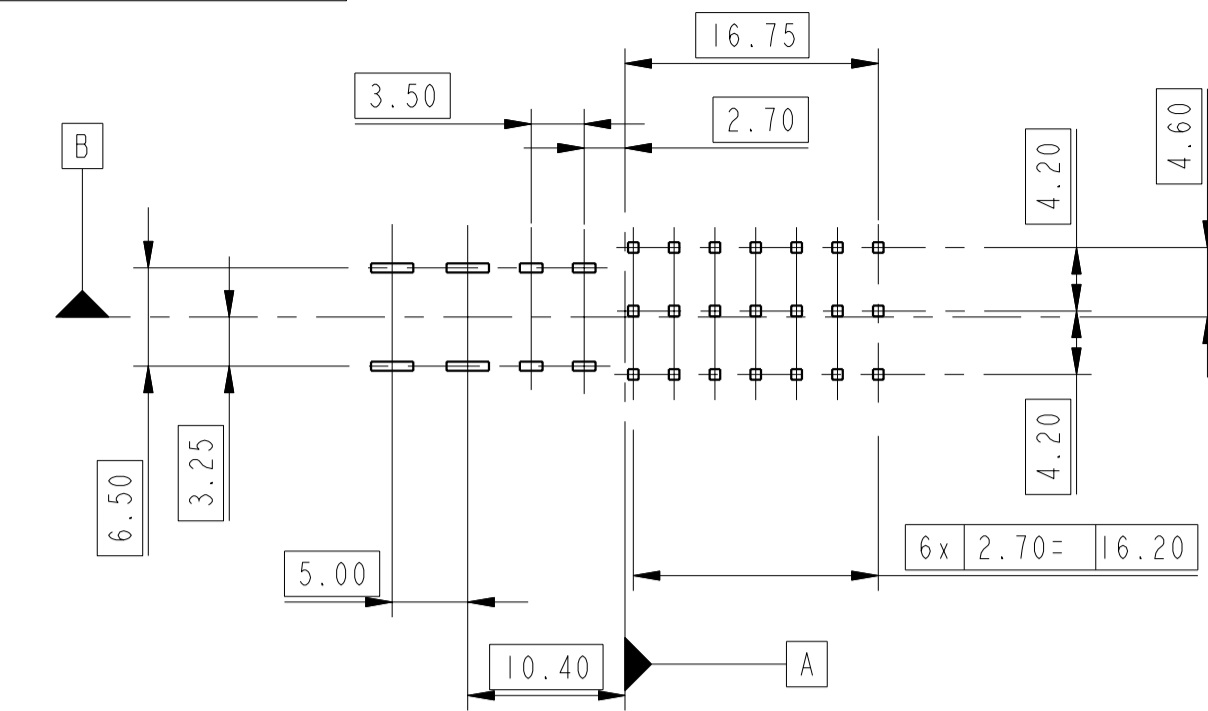
VERSION AVEC SHUNT  
FEMALE CONNECTOR WITH SHUNT  
211 PC 29 95 0 043



VERSION SANS SHUNT  
FEMALE CONNECTOR WITHOUT SHUNT  
211 PC 29 95 0 042

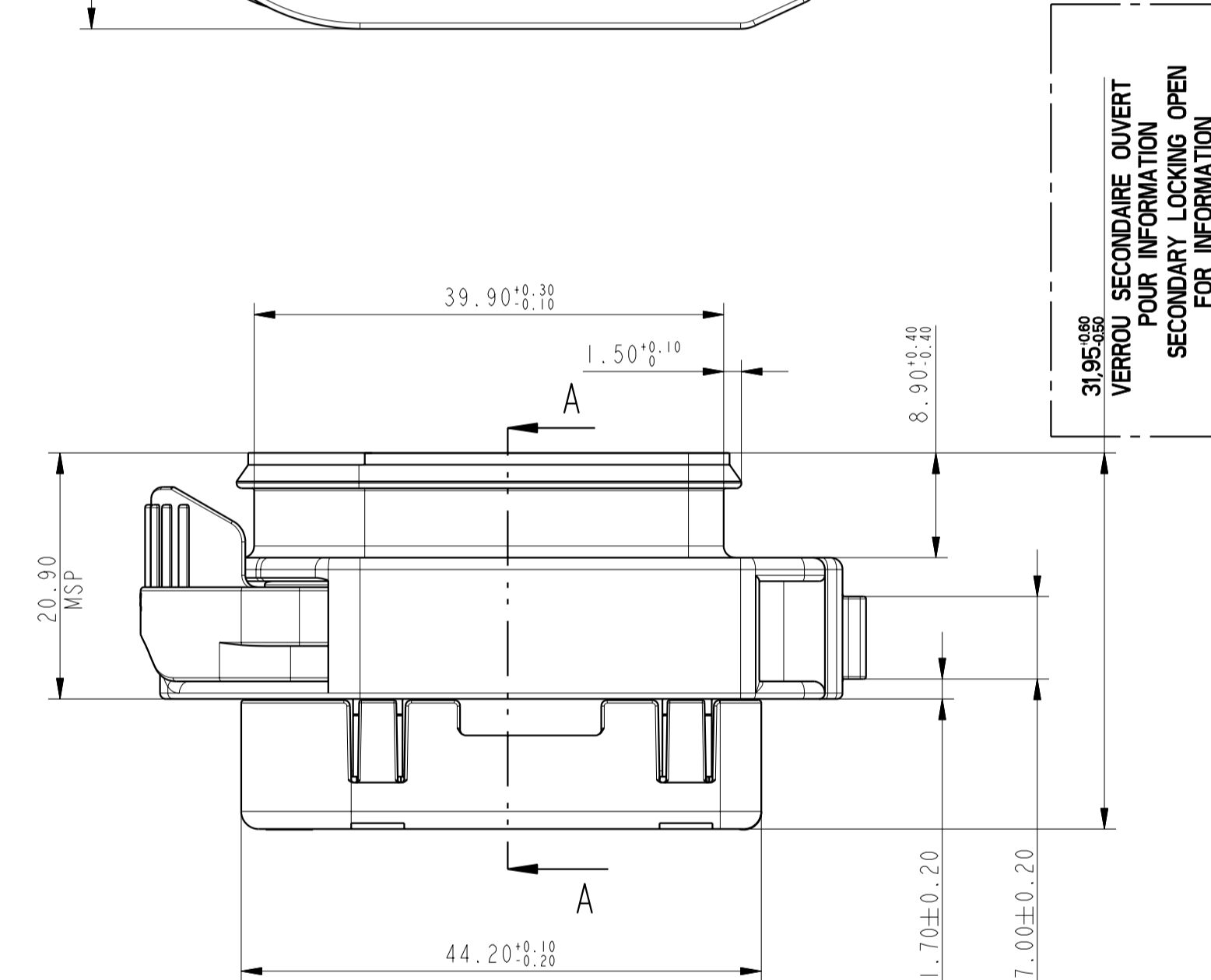
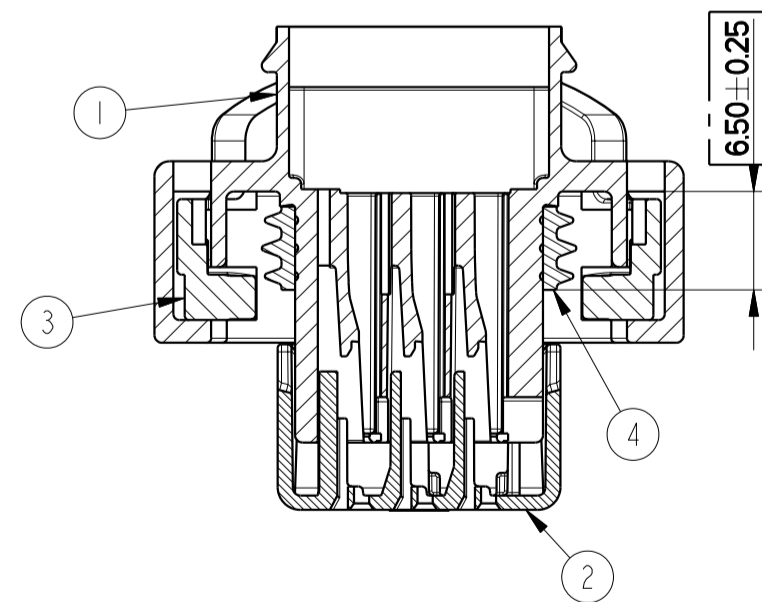
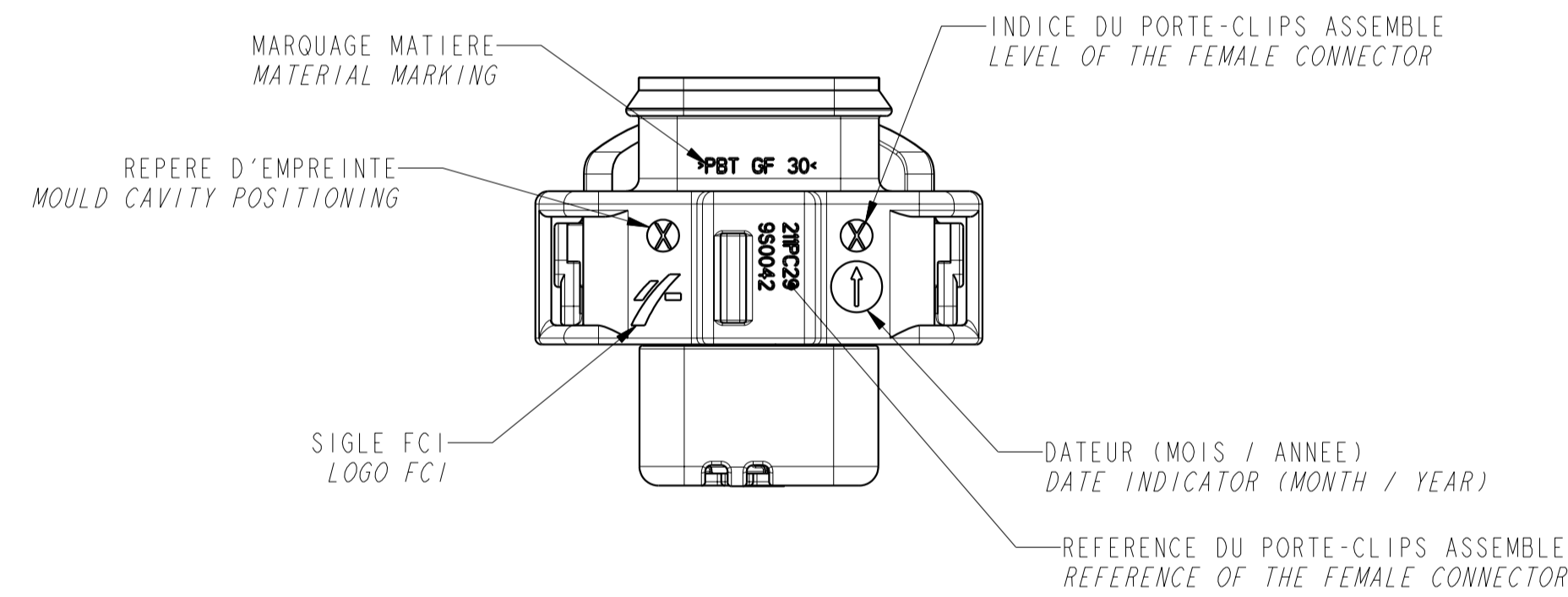
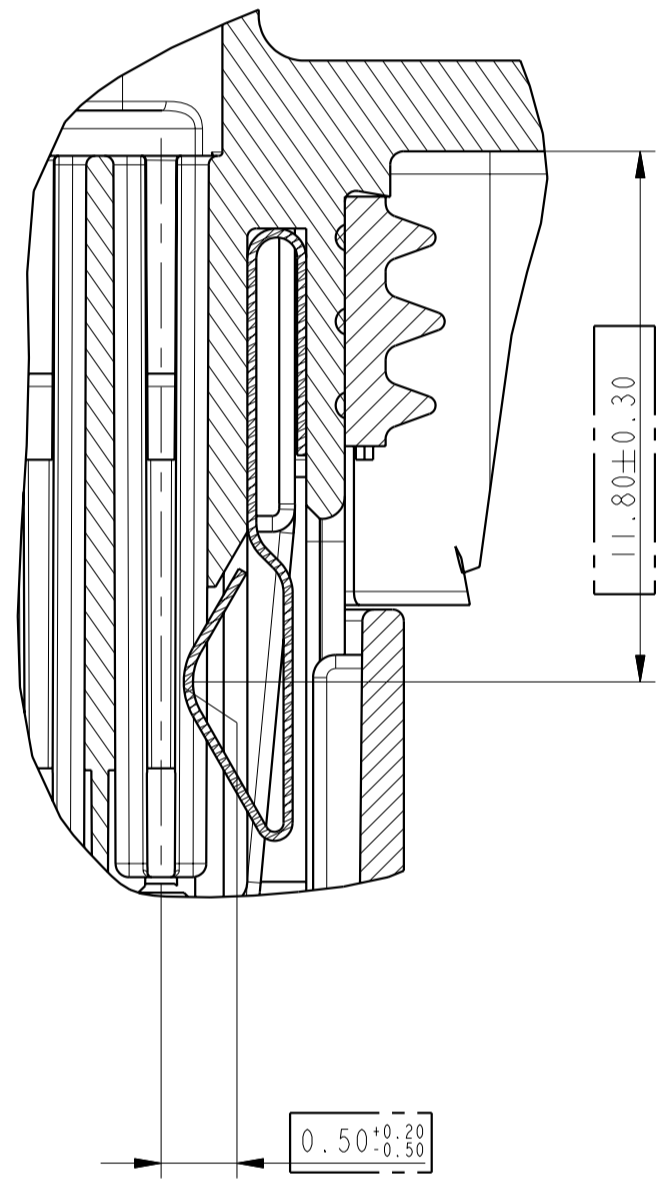


IMPLANTATION DES ALVEOLES  
CAVITIES LAY OUT

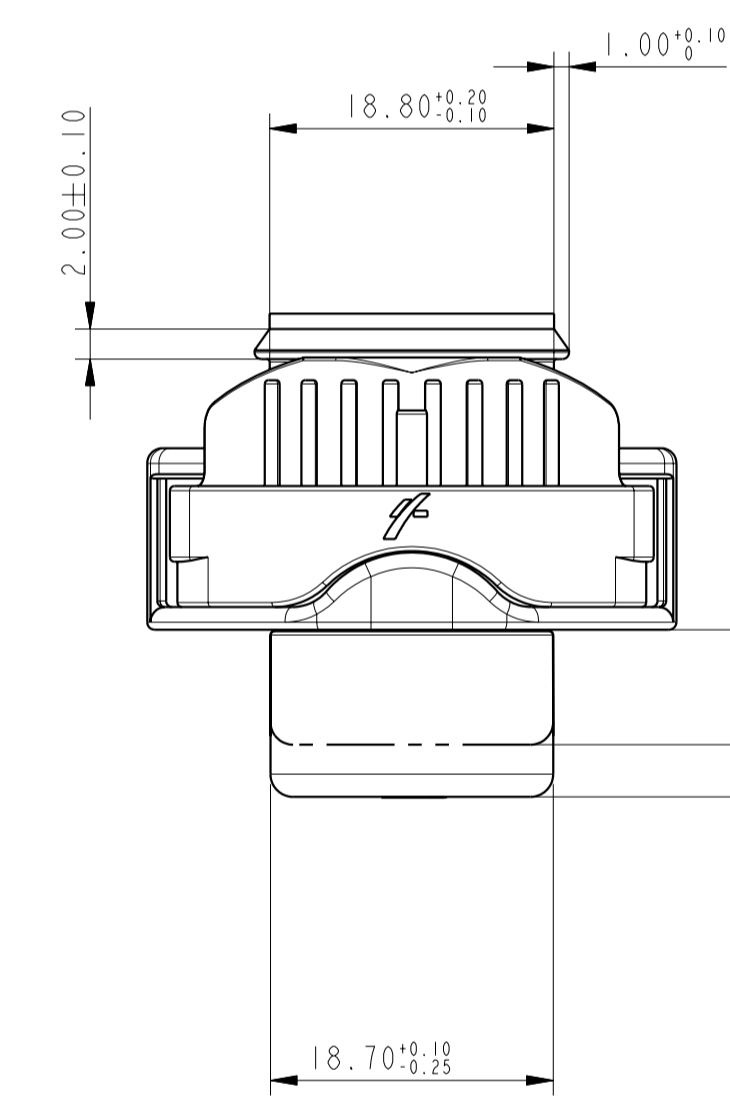


DETAIL SHUNT  
SHUNT DETAIL

SECTION B-B  
SCALE 6:1

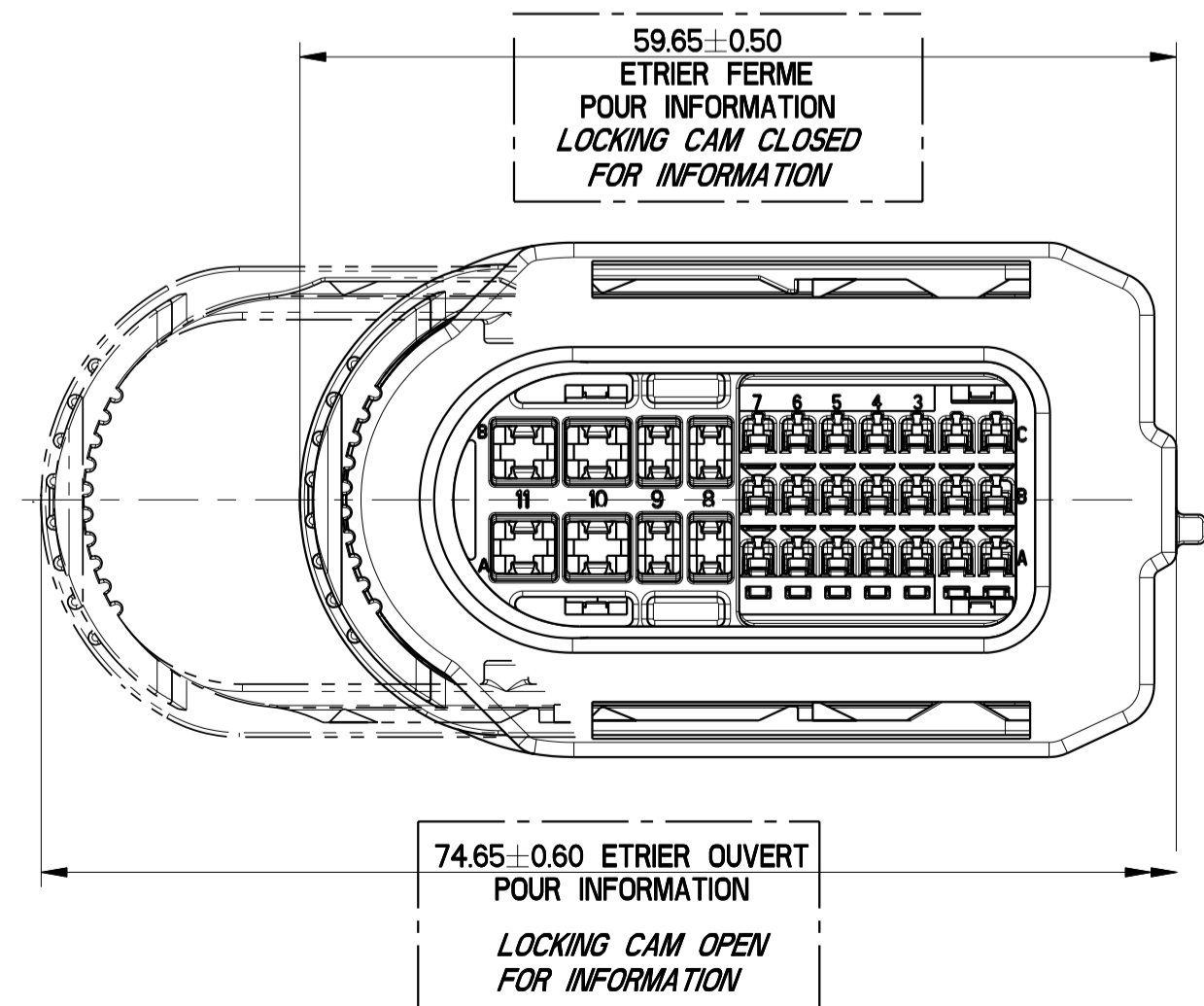


3195±0.05  
VERROU SECONDAIRE OUVERT  
POUR INFORMATION  
SECONDARY LOCKING OPEN  
FOR INFORMATION



7.55±0.05  
VERROU SECONDAIRE  
VERROUILLE  
SECONDARY LOCKING  
IN LOCKED POSITION

1115±0.05  
VERROU SECONDAIRE  
PREMIERE  
SECONDARY LOCKING  
IN PRESET POSITION



59.65±0.50  
ETRIER FERME  
POUR INFORMATION  
LOCKING CAM CLOSED  
FOR INFORMATION

74.65±0.60  
ETRIER OUVERT  
POUR INFORMATION  
LOCKING CAM OPEN  
FOR INFORMATION

NOTA: LES COTES INDIQUEES EN GRAS ET ENCADREES  
SONT DES COTES D'ASSEMBLAGE  
**BOLD AND BOXED DIMENSIONS ARE ASSEMBLY  
DIMENSIONS**

LE PC EST LIVRE AVEC L'ETRIER EN POSITION FERME  
THE FEMALE CONNECTOR IS DELIVERED WITH LOCKING  
CAM IN CLOSED POSITION

2.8 x 0.8 SICMA 3	1 à 2	211 CC 3 S XXX0
2.8 x 0.8 SICMA 2	1 à 3	211 CC 3 S XX2X
1.5 x 0.8 SICMA 3	1 à 2	211 CC 2 S XXX0
1.5 x 0.8 SICMA 2	1 à 2	211 CC 2 S XX2X
MICRO-SICMA 1 x 0.635	0 à 1	211 CC 1 S XX23
<b>TYPE CLIP</b> <b>FEMALE TERMINAL TYPE</b>	<b>GAMME</b> <b>RANGE</b>	<b>REFERENCE</b> <b>REFERENCE</b>
CLIPS UTILISABLES AVAILABLE FEMALE TERMINALS		

5	SHUNT SHUNT	211 C 124	Cu Mg I		
4	JOINT INTERFACIAL INTERFACIAL SEAL	211 M 8106	SILICONE SILICON	GRIS GREY	
3	ETRIER LOCKING CAM	211 M 0102	PA66 GF 30	NOIR BLACK	
2	VERROU SECONDAIRE SECONDARY LOCKING	211 M 4103	PBT GF 30	JAUNE YELLOW	
1	PORTE-CLIPS FEMALE CONNECTOR	211 I 0 069	PBT GF 30	NOIR BLACK	AVEC SHUNT WITH SHUNT
		211 I 0 059	PBT GF 30	NOIR BLACK	SANS SHUNT WITHOUT SHUNT
Rep Item	DESIGNATION DESCRIPTION	REF. F.C.I.	MATIERE MATERIAL	COULEUR COLOR	INDICE PIECE P/N REVISION
	F.C.I.'S REFERENCE WITH SHUNT CUSTOMER'S REFERENCE WITH SHUNT		211 PC 29 95 0 043 8200 093 849		B
	F.C.I.'S REFERENCE WITHOUT SHUNT RENAULT'S REFERENCE WITHOUT SHUNT		211 PC 29 95 0 042 8200 093 848		B

ECH. NO. NUMBER ECH	POSITION POSITION	CHANGE DESCRIPTION MODIFICATION
-	-	-
-	-	UPDATE FOLLOWING SW08-225
-	-	MIGRATION IN PDS
PRODUCT SPEC. SPEC. PRODUIT	PACKAGING SPEC. SPEC. EMBALLAGE	APPLICATION SPEC. SPEC. APPLICATION
THIS DRAWING AND ALL OTHER INFORMATION CONTAINED THEREIN IS THE PROPERTY OF FCJ. No part of this drawing may be copied, reproduced or disseminated to any third party without the express written permission of FCJ. © FCJ April 1999		
TOLERANCES TOLERANCES	±0.3	±0.3
MATERIAL MATIERE	SEE TABLE	ETAT DE SURFACE STATE OF SURFACE
COURTAVANT N° SICMA PART #	211P29950042	COLOR COULEUR
DO NOT MEASURE DRAWING NE PAS PRENDRE DE COTES	TOOL NO. OUTIL N°	ECO Lvl: 444 FE
DATE	NAME NOM	TITRE DESIGNATION
2009/09/09	SILGAS	FEMALE CONNECTOR
2009/10/09	Armand TECHINE	PROJECT
2009/10/09	A ANDRIEU	PROJECT
2009/10/09	Pascal MENARD	PROJECT
211F0383		
DRAWING NUMBER REF. PLAN	REV. IND.	APPROVAL LEVEL NIV. D'APPROBATION
211F0383	C	SHEET FEUILLE
STATE ETAT	PART NUMBER REF. ARTICLE	REV. IND.
29 WAY DOOR		1
See Table		1

## X-ON Electronics

Largest Supplier of Electrical and Electronic Components

*Click to view similar products for [Automotive Connectors](#) category:*

*Click to view products by [APTIV](#) manufacturer:*

Other Similar products are found below :

[003-018-000](#) [60403001](#) [60993906-B](#) [629515004020001](#) [M902-2131](#) [M902-2161](#) [72.330.1035.1](#) [73.353.4028.0](#) [F119300-B](#) [F166900](#)  
[F258300-B](#) [F358300-B](#) [F407400](#) [F444110](#) [F487000](#) [F509500B-B](#) [827153-1](#) [8N1515-32-24P](#) [9-1326729-8](#) [925474-1](#) [928905-1](#) [964562-4](#)  
[968782-1](#) [GT17SA-8DS-HU](#) [98891-1012](#) [98947-1016](#) [12004475-L](#) [12010290](#) [12010309-B](#) [12015454](#) [12020219-B](#) [12020308](#) [12041318-B](#)  
[12052225-L](#) [12052466](#) [12059125](#) [12064869](#) [12004327-B](#) [12010503-B](#) [12015308](#) [12015384](#) [12015909](#) [1-21030-1](#) [12041254](#) [12041318](#)  
[12047946-B](#) [12047957](#) [12047957-L](#) [12059473](#) [12066261](#)