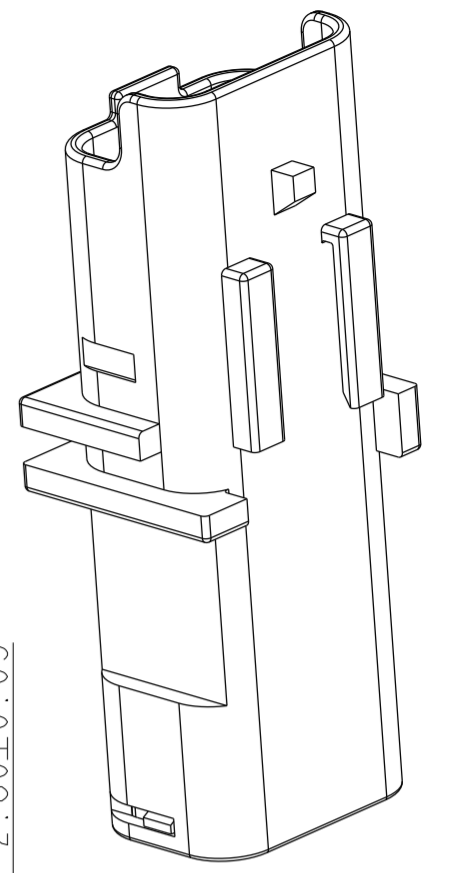
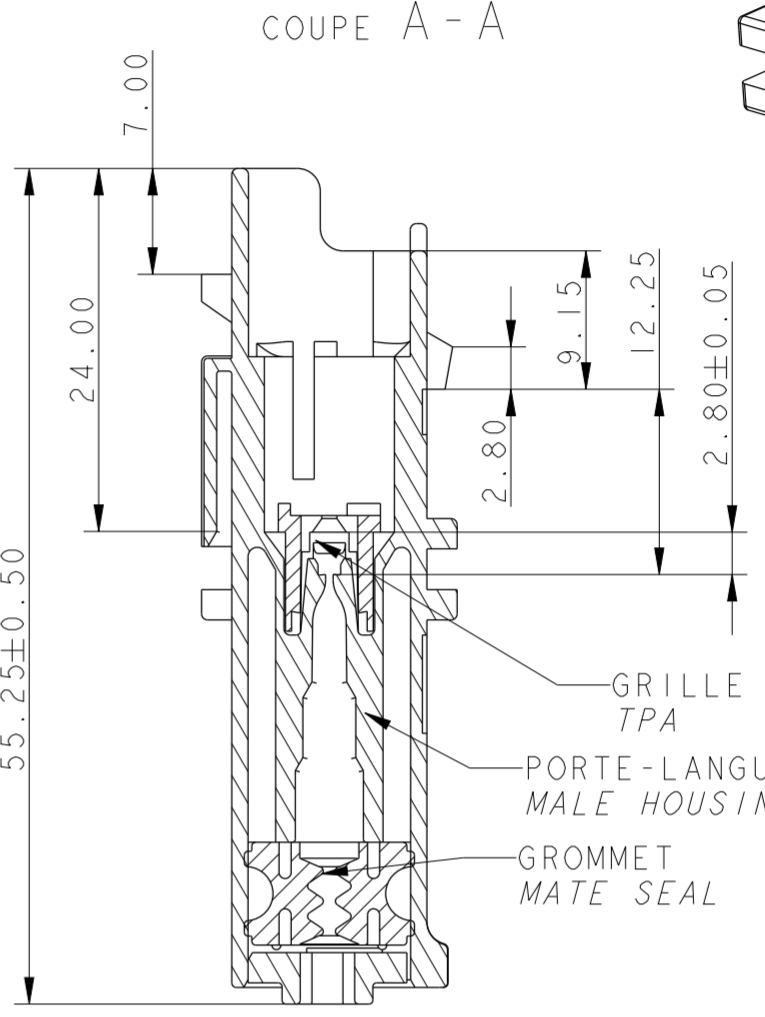
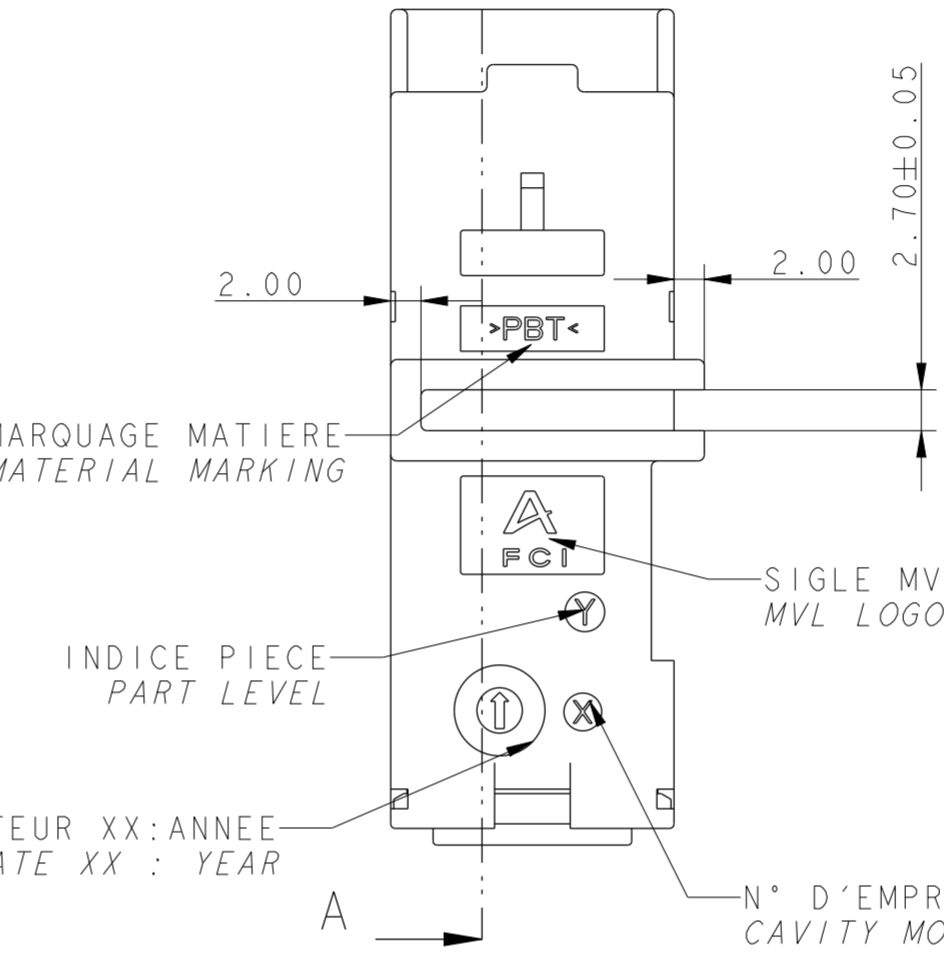
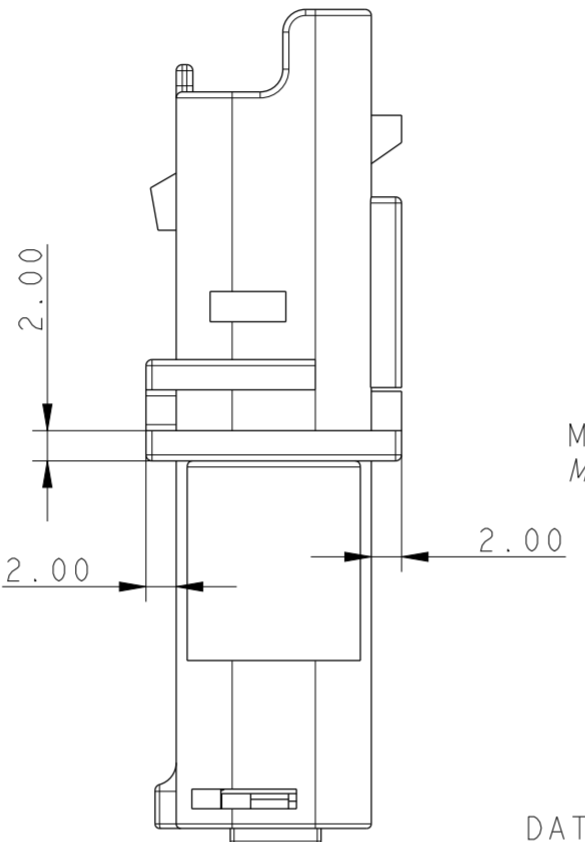
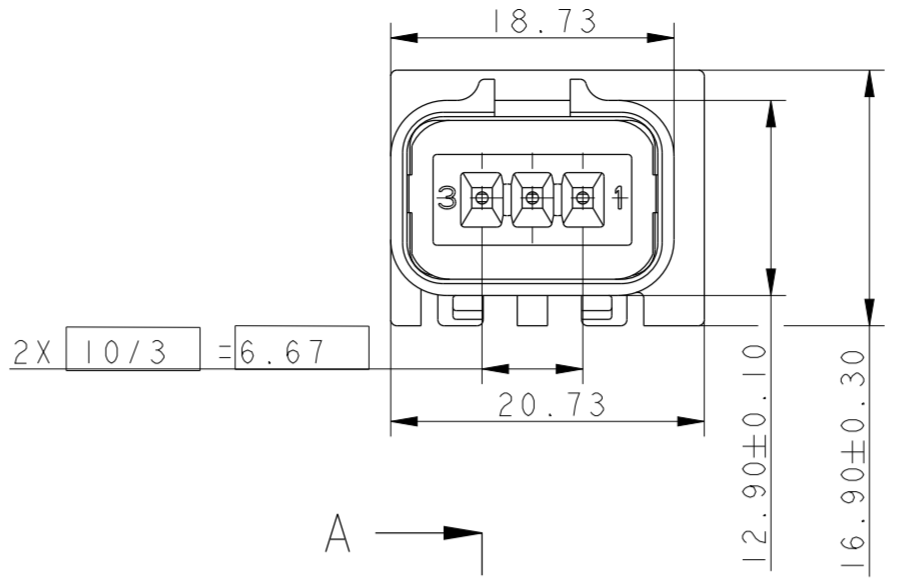
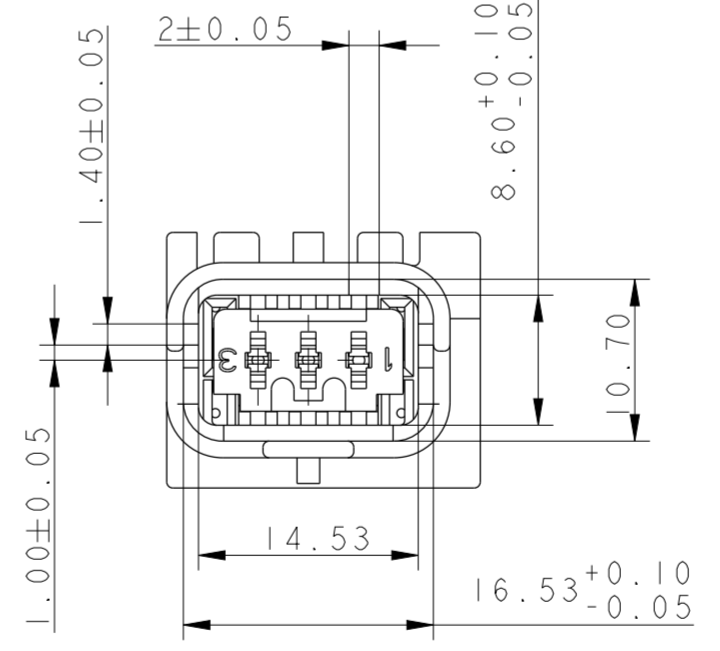


NOTA	SPECIFICATIONS
1	CONNECTEUR T 111 B2 B21 7050 MALE CONNECTOR T 111 B2 B21 7050
2	ALVEOLE SUIVANT STE 96 288 230 99 CAVITY IN ACCORDANCE STE 96 339 230 99
3	POSITION ALVEOLE SUIVANT STE 96 339 622 99 CAVITY'S POSITION IN ACCORDANCE WITH STE 96 339 622 99
4	ACCROCHAGE SELON STE N° 96 153 261 99 HANGING IN ACCORDANCE WITH STE 96 153 261 99
5	CONDITIONNEMENT SUIVANT NORME E 7703 150G PACKAGING IN ACCORDANCE WITH E 7703 150G
6	MASSE DU PRODUIT = 15 g (ISOLANT + GRILLE + GROMMET) WEIGHT OF PRODUCT = 15 g (HOUSING + TPA + MATE SEAL)
7	CHARNIERE DE PLAQUETTE ARRIERE ABSENTE OU CASSEE ADMISE NO REAR GRID OR REAR GRID HINGE BROKEN ALLOWED
8	PARTICULES DE SILICONE DANS LE GROMMET, BOUCHANT PARTIELLEMENT UN ORIFICE, ADMISES SILICONE PARTICLES IN MATE SEAL, BLOCKING PARTIALLY AN ORIFICE, ADMITTED



Ø DE L'ISOLANT DES FILS WIRE INSULATION Ø	MINI	1.40
	MAXI	2.80

BOUCHON PLUG	210 A 01 5 019	PBT NON CHARGE PBT 0%	VERT GREEN
PORTE-LANGUETTES MALE HOUSING	211 1 1 035	PBT NON CHARGE PBT 0%	MARRON BROWN
	211 1 5 035		VERT GREEN
	211 1 4 035		JAUNE YELLOW
	211 1 8 035		GRIS GREY
	211 1 6 035		BLEU BLUE
	211 1 0 035		NOIR BLACK
GRILLE TPA	211 M 4 033	PBT 15% FV	JAUNE YELLOW
GROMMET MATE SEAL	211 M 109	SILICONE AUTOLUBRIFIE	VERT GREEN
DESIGNATION	REF. MVL	MATIERE MATERIAL	COULEUR COLOUR



5.75	3.85	1.95	0.05	1.85	3.75	VUE F F VIEW ±0.1
						COULEUR COLOUR
NOIR BLACK	BLEU BLUE	GRIS GREY	JAUNE YELLOW	VERT GREEN	MARRON BROWN	
211 PL 03 2 S 0 049	211 PL 03 2 S 6 049	211 PL 03 2 S 8 049	211 PL 03 2 S 4 049	211 PL 03 2 S 5 049	211 PL 03 2 S 1 049	REF. MVL
A	A	A	A	A	A	IND.
10788983	33500321	10863645	10864080	13548595	33500320	REF. DELPHI
01	01	01	01	01	01	IND.

-		-		-		-		-		-		-		-		-		-		-		-	
- DELPHI P/N ADDED; ADDED ENGLISH TRANSLATION																							
ECN-NO. NUMERO ECN		POSITION POSITION		CHANGE DESCRIPTION MODIFICATION																			
PRODUCT SPEC. SPECIF. PRODUIT		PACKAGING SPEC. SPECIF. EMBALLAGE		APPLICATION SPEC. SPECIF. APPLICATION		COPYRIGHT DELPHI CORPORATION AND/OR ITS AFFILIATES. ALL RIGHTS RESERVED. REVISED THIS DRAWING IS THE PROPERTY OF DELPHI CORPORATION AND CONTAINS DELPHI CONFIDENTIAL INFORMATION. THE REPRODUCTION, DISTRIBUTION AND UTILIZATION OF THIS DOCUMENT OR ITS RELATED CAD DATA, AS WELL AS COMMUNICATION OF ANY CONTENT TO OTHERS, WITHOUT EXPRESS AUTHORIZATION, IS PROHIBITED.																	
TOLERANCES TOLERANCES		±0.1 ±2'		MATERIAL : MATIERE :		SEE TABLE		SURFACE FINISH ETAT DE SURFACE		-		 DELPHI PACKARD ELECTRICAL/ELECTRONIC ARCHITECTURE EPERNON, FRANCE										CAD SYSTEM pro / eng.	
COUNTERPART No. CONTRE-PARTIE N°		-		COLOUR : COULEUR :		SEE TABLE		-		-		 DIMENSION IN MILLIMETERS DIMENSIONS EN MILLIMETRES DWG SIZE FORMAT A2										APPROVAL LEVEL NIV. D'APPROBATION	
DO NOT MEASURE DRAWING NE PAS PRENDRE DE COTES		-		TOOL NO. OUTIL N°		-		ECO Loc. Code CODE B.E.		FE		 SERIAL RELEASED										SHEET FEUILLE	
CREATED BY CREE PAR		2002-07-18		NAME NOM		CM		TITLE DESIGNATION		3 WAYS 15x08 MALE CONNECTOR		DRAWING NUMBER REF. PLAN										REV. IND.	
MODIFIED BY MODIF. PAR		2014/12/08		F FAURIE		PROJECT PROJECT		WITH NEW GENERATION OF GROMMET		PART NUMBER REF. ARTICLE										REV. IND.			
CHECKED BY VERIF. PAR		2014/12/11		S LACOTE		ESR NO. NUMERO ESR		FRA-0102		CAT. NO. NUMERO CAT.		See Table										SCALE ECH.	
APPROVED BY APPR. PAR		2014/12/11		Pascal MENARD		DOCUMENT UNDER PDS CONTROL DOCUMENT GERE SOUS P.D.S.		NO MODIFICATION ALLOWED OUTSIDE IPAS DE MODIFICATION EN DEHORS												2:1			
FILE NAME NOM DE FICHIER		211FT0446																					

EUR C04 112 F29 PDS

X-ON Electronics

Largest Supplier of Electrical and Electronic Components

Click to view similar products for [Automotive Connectors](#) category:

Click to view products by [APTIV](#) manufacturer:

Other Similar products are found below :

[003-018-000](#) [60993906-B](#) [M902-2131](#) [M902-2161](#) [M902-2344](#) [72.330.1035.1](#) [73.353.4028.0](#) [F166900](#) [F358300-B](#) [F407400](#) [776880-1](#)
[827153-1](#) [8N1515-32-24P](#) [9-1326729-8](#) [925474-1](#) [928905-1](#) [964562-4](#) [968782-1](#) [98891-1012](#) [12004475-L](#) [12020308](#) [12041318-B](#)
[12052466](#) [12064869](#) [12015909](#) [1-21030-1](#) [12041254](#) [12041318](#) [12047946-B](#) [12110546-B](#) [12131792](#) [12084688](#) [12092346](#) [HD34-18-14PT](#)
[HD46-24-23SN-059](#) [HDB36-24-16PN-059](#) [HDP26-24-9SE-L015](#) [12185280](#) [12185550](#) [12336-12](#) [12191172-B](#) [12S](#) [13545280](#) [13577943](#)
[13681974](#) [13737722-B](#) [13830674](#) [13832576](#) [13849772](#) [13542772](#)