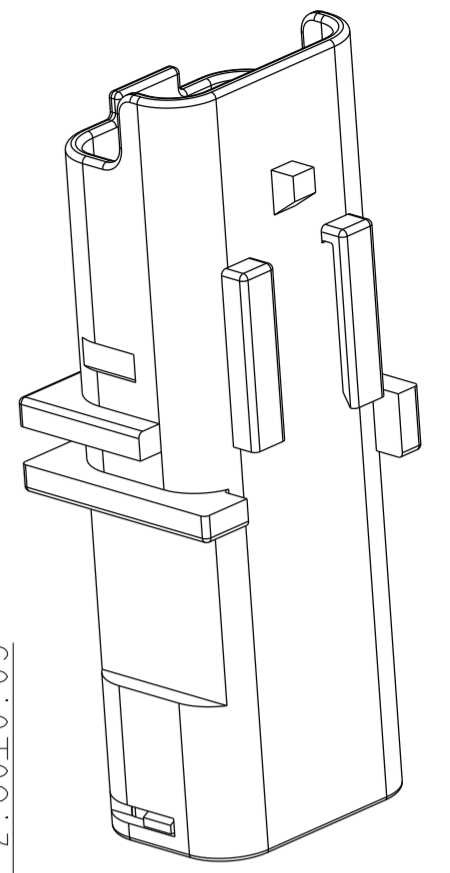
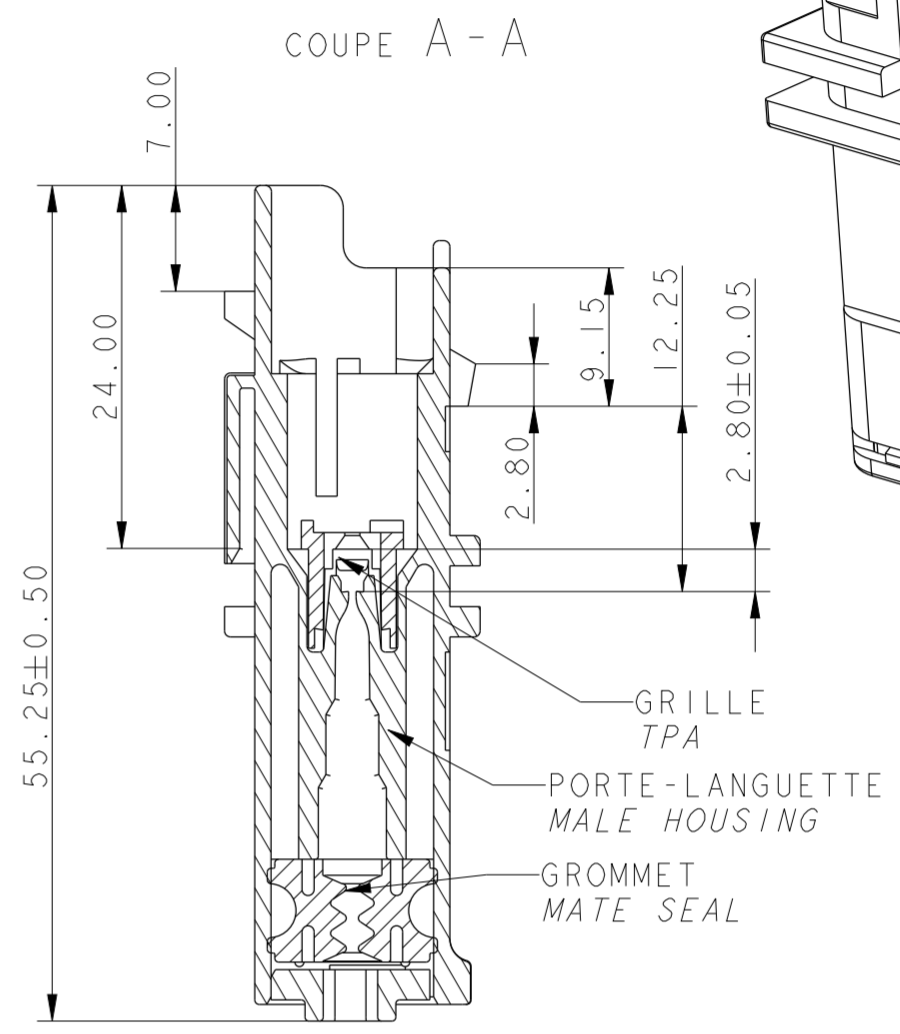
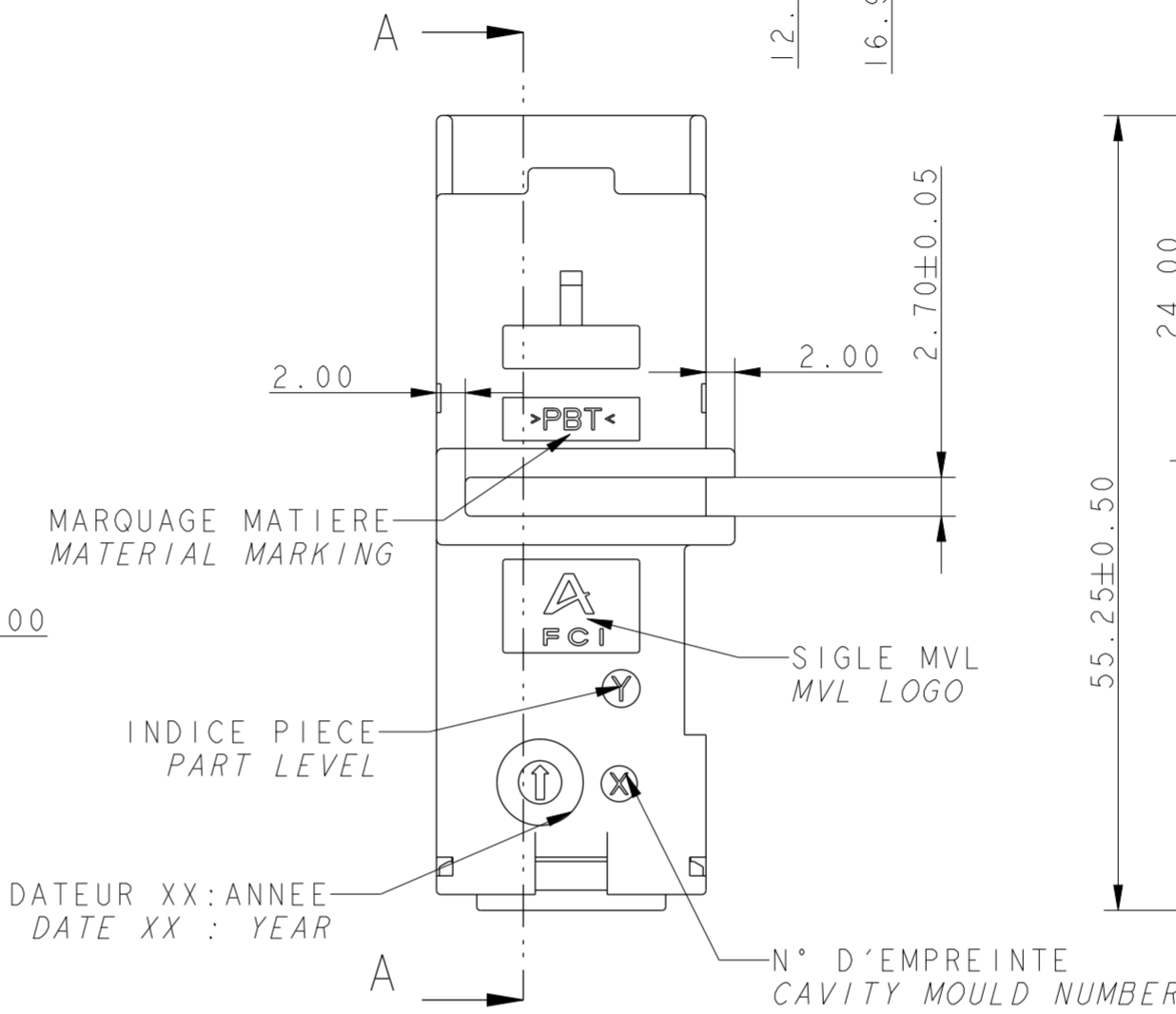
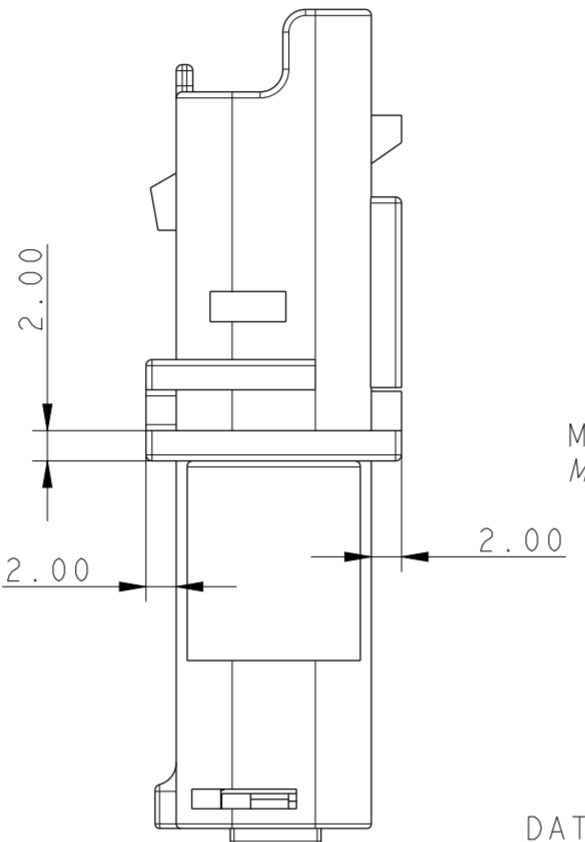
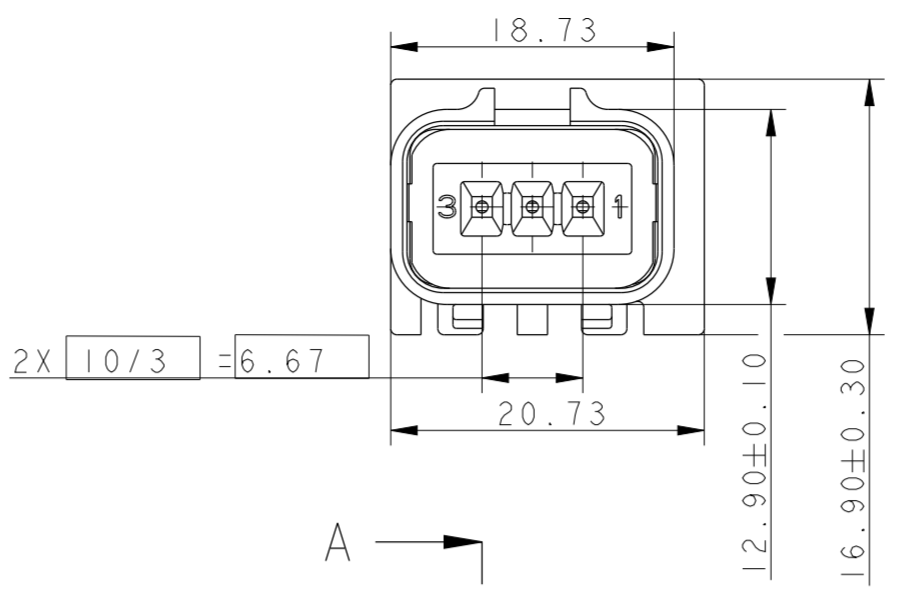
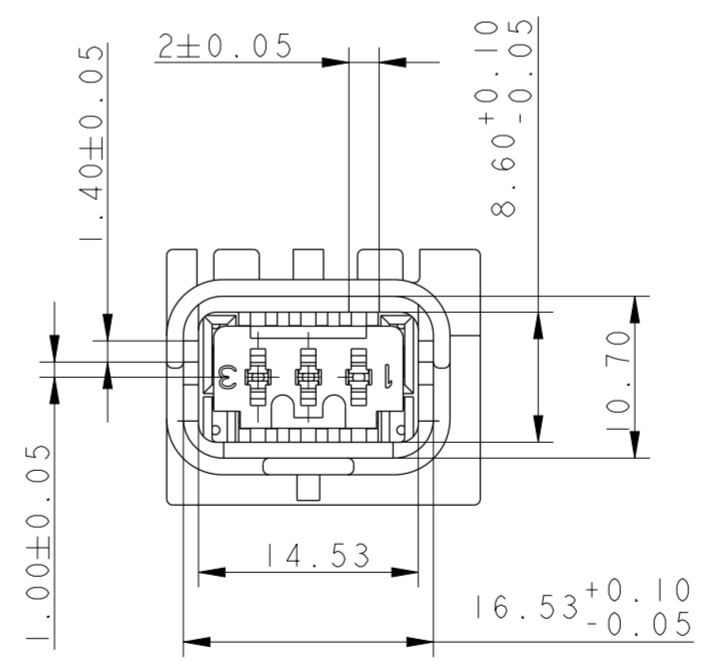


| NOTA | SPECIFICATIONS   |
|------|--|
| 1    | CONNECTEUR T 111 B2 B21 7050<br>MALE CONNECTOR T 111 B2 B21 7050   |
| 2    | ALVEOLE SUIVANT STE 96 288 230 99<br>CAVITY IN ACCORDANCE STE 96 339 230 99  |
| 3    | POSITION ALVEOLE SUIVANT STE 96 339 622 99<br>CAVITY'S POSITION IN ACCORDANCE WITH STE 96 339 622 99   |
| 4    | ACCROCHAGE SELON STE N° 96 153 261 99<br>HANGING IN ACCORDANCE WITH STE 96 153 261 99  |
| 5    | CONDITIONNEMENT SUIVANT NORME E 7703 150G<br>PACKAGING IN ACCORDANCE WITH E 7703 150G  |
| 6    | MASSE DU PRODUIT = 15 g (ISOLANT + GRILLE + GROMMET)<br>WEIGHT OF PRODUCT = 15 g (HOUSING + TPA + MATE SEAL)   |
| 7    | CHARNIERE DE PLAQUETTE ARRIERE ABSENTE OU CASSEE ADMISE<br>NO REAR GRID OR REAR GRID HINGE BROKEN ALLOWED  |
| 8    | PARTICULES DE SILICONE DANS LE GROMMET, BOUCHANT PARTIELLEMENT UN ORIFICE, ADMISES<br>SILICONE PARTICLES IN MATE SEAL, BLOCKING PARTIALLY AN ORIFICE, ADMITTED |



| Ø DE L'ISOLANT DES FILS<br>WIRE INSULATION Ø | MINI | 1.40 |
|--|------|------|
|  | MAXI | 2.80 |

| BOUCHON PLUG                  | 210 A 01 5 019 | PBT NON CHARGE PBT 0% | VERT GREEN     |
|-------------------------------|----------------|-----------------------|----------------|
| PORTE-LANGUETTES MALE HOUSING | 211 1 1 035    | PBT NON CHARGE PBT 0% | MARRON BROWN   |
|                               | 211 1 5 035    |                       | VERT GREEN     |
|                               | 211 1 4 035    |                       | JAUNE YELLOW   |
|                               | 211 1 8 035    |                       | GRIS GREY      |
|                               | 211 1 6 035    |                       | BLEU BLUE      |
|                               | 211 1 0 035    |                       | NOIR BLACK     |
| GRILLE TPA                    | 211 M 4 033    | PBT 15% FV            | JAUNE YELLOW   |
| GROMMET MATE SEAL             | 211 M 109      | SILICONE AUTOLUBRIFIE | VERT GREEN     |
| DESIGNATION                   | REF. MVL       | MATIERE MATERIAL      | COULEUR COLOUR |



| 5.75                | 3.85                | 1.95                | 0.05                | 1.85                | 3.75                | VUE F F VIEW ±0.1     |
|---------------------|---------------------|---------------------|---------------------|---------------------|---------------------|-----------------------|
|                     |                     |                     |                     |                     |                     | COULEUR COLOUR        |
| NOIR BLACK          | BLEU BLUE           | GRIS GREY           | JAUNE YELLOW        | VERT GREEN          | MARRON BROWN        |                       |
| 211 PL 03 2 S 0 049 | 211 PL 03 2 S 6 049 | 211 PL 03 2 S 8 049 | 211 PL 03 2 S 4 049 | 211 PL 03 2 S 5 049 | 211 PL 03 2 S 1 049 | REF. IND. MVL         |
| A                   | A                   | A                   | A                   | A                   | A                   | IND. REF. IND. DELPHI |
| 10788983            | 33500321            | 10863645            | 10864080            | 13548595            | 33500320            |                       |
| 01                  | 01                  | 01                  | 01                  | 01                  | 01                  |                       |

|  |                                   |   |   |
|--|-----------------------------------|---|---|
| - DELPHI P/N ADDED; ADDED ENGLISH TRANSLATION  |                                   | CHANGE DESCRIPTION MODIFICATION   |   |
| ECN-NO. NUMERO ECN                             | POSITION POSITION                 | -   |   |
| PRODUCT SPEC. SPECIF. PRODUIT                  | PACKAGING SPEC. SPECIF. EMBALLAGE | APPLICATION SPEC. SPECIF. APPLICATION   | COPYRIGHT DELPHI CORPORATION AND/OR ITS AFFILIATES. ALL RIGHTS RESERVED. REVISED THIS DRAWING IS THE PROPERTY OF DELPHI CORPORATION AND CONTAINS DELPHI CONFIDENTIAL INFORMATION. THE REPRODUCTION, DISTRIBUTION AND UTILIZATION OF THIS DOCUMENT OR ITS RELATED CAD DATA, AS WELL AS COMMUNICATION OF ANY CONTENT TO OTHERS, WITHOUT EXPRESS AUTHORIZATION, IS PROHIBITED. |
| TOLERANCES TOLERANCES                          | ±0.1 ±2'                          | MATERIAL: MATIERE:  | SURFACE FINISH ETAT DE SURFACE  |
| COUNTERPART No. CONTRE-PARTIE N°               |                                   | SEE TABLE   | SEE TABLE   |
| DO NOT MEASURE DRAWING NE PAS PRENDRE DE COTES |                                   | ECO Loc. Code CODE B.E.   | FE  |
| CREATED BY CREE PAR                            | DATE DATE                         | NAME NOM  | TITLE DESIGNATION   |
| 2002-07-18                                     |                                   | CM  | 3 WAYS 15x08 MALE CONNECTOR   |
| MODIFIED BY MODIF. PAR                         | 2014/12/08                        | F FAURIE  | PROJECT PROJECT   |
| CHECKED BY VERIF. PAR                          | 2014/12/11                        | S LACOTE  | WITH NEW GENERATION OF GROMMET  |
| APPROVED BY APPR. PAR                          | 2014/12/11                        | Pascal MENARD   | ESR NO. NUMERO ESR FRA-0102 CAT. NO. NUMERO CAT.  |
| FILE NAME NOM DE FICHIER                       | 211FT0446                         | DOCUMENT UNDER PDS CONTROL DOCUMENT GERE SOUS P.D.S. NO MODIFICATION ALLOWED OUTSIDE IPAS DE MODIFICATION EN DEHORS |   |
| DRAWING NUMBER REF. PLAN                       |                                   | REV. IND.   |   |
| 211FT0446                                      |                                   | B   |   |
| STATE ETAT                                     |                                   | PART NUMBER REF. ARTICLE  |   |
| SERIAL RELEASED                                |                                   | See Table   |   |
| SHEET FEUILLE                                  |                                   | SCALE ECH.  |   |
| 1 of 1 sur 1                                   |                                   | 2:1   |   |

EUR C04 112 F29 PDS

## X-ON Electronics

Largest Supplier of Electrical and Electronic Components

*Click to view similar products for [Automotive Connectors](#) category:*

*Click to view products by [APTIV](#) manufacturer:*

Other Similar products are found below :

[003-018-000](#) [60403001](#) [60993906-B](#) [629515004020001](#) [M902-2131](#) [M902-2161](#) [72.330.1035.1](#) [73.353.4028.0](#) [F119300-B](#) [F166900](#)  
[F258300-B](#) [F358300-B](#) [F407400](#) [F444110](#) [F487000](#) [F509500B-B](#) [827153-1](#) [8N1515-32-24P](#) [9-1326729-8](#) [925474-1](#) [928905-1](#) [964562-4](#)  
[968782-1](#) [GT17SA-8DS-HU](#) [98891-1012](#) [98947-1016](#) [12004475-L](#) [12010290](#) [12010309-B](#) [12015454](#) [12020219-B](#) [12020308](#) [12041318-B](#)  
[12052225-L](#) [12052466](#) [12059125](#) [12064869](#) [12004327-B](#) [12010503-B](#) [12015308](#) [12015384](#) [12015909](#) [1-21030-1](#) [12041254](#) [12041318](#)  
[12047946-B](#) [12047957](#) [12047957-L](#) [12059473](#) [12066261](#)