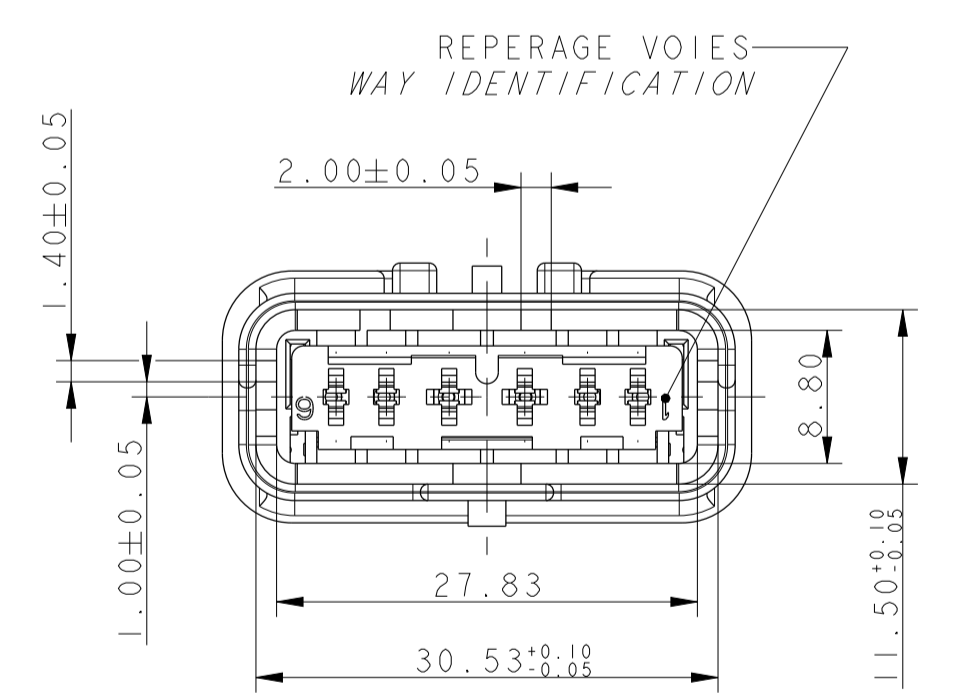
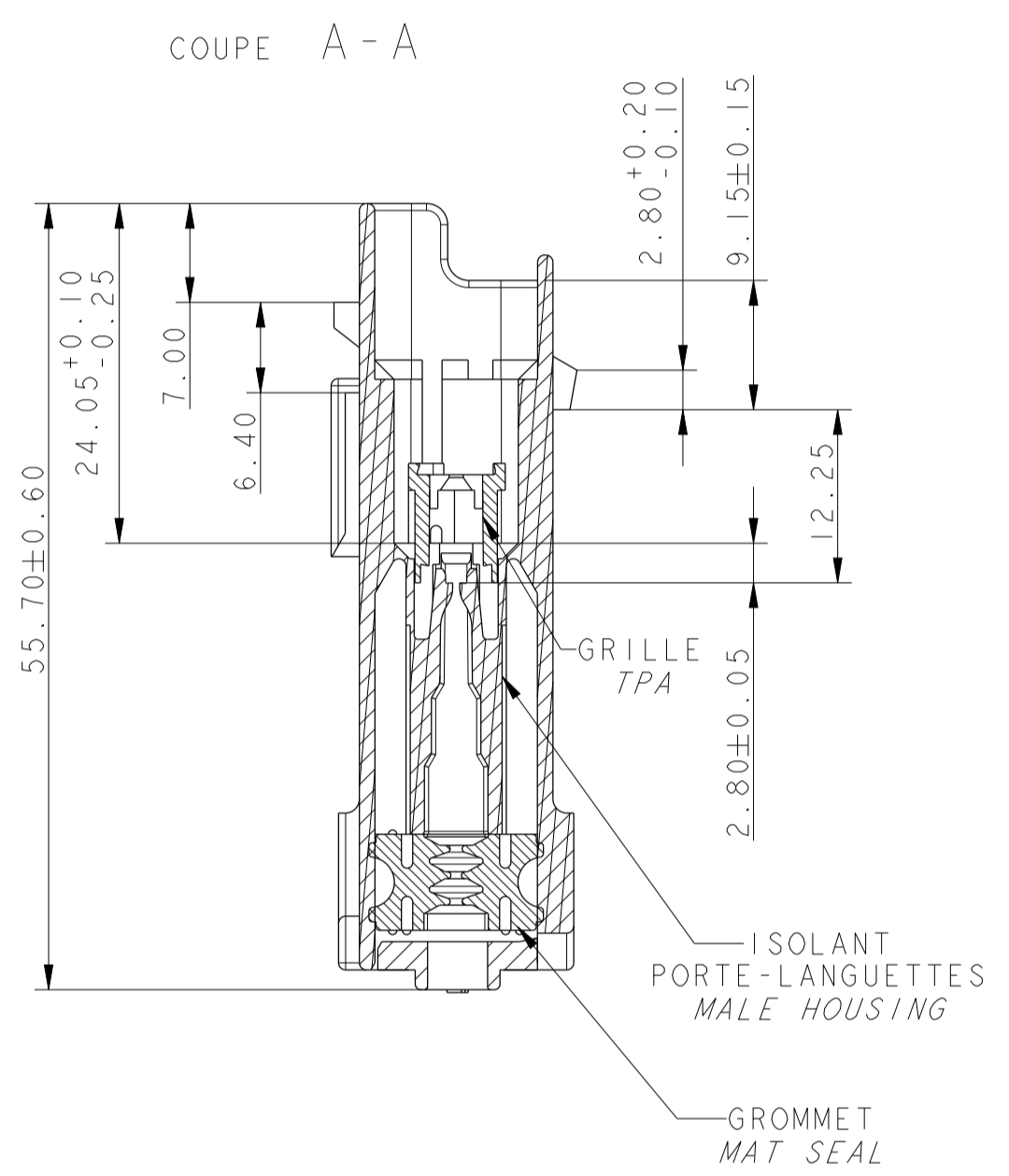
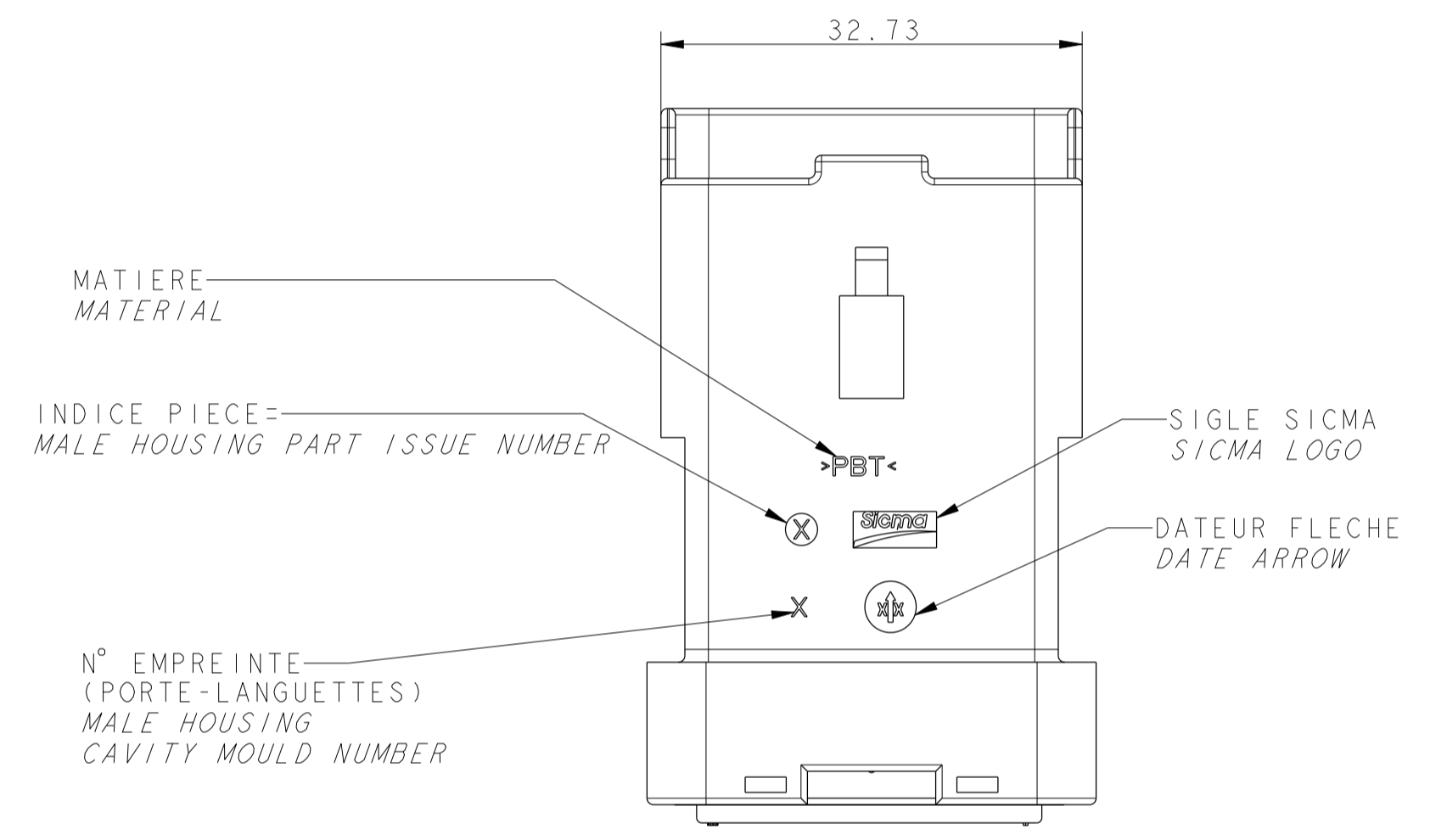
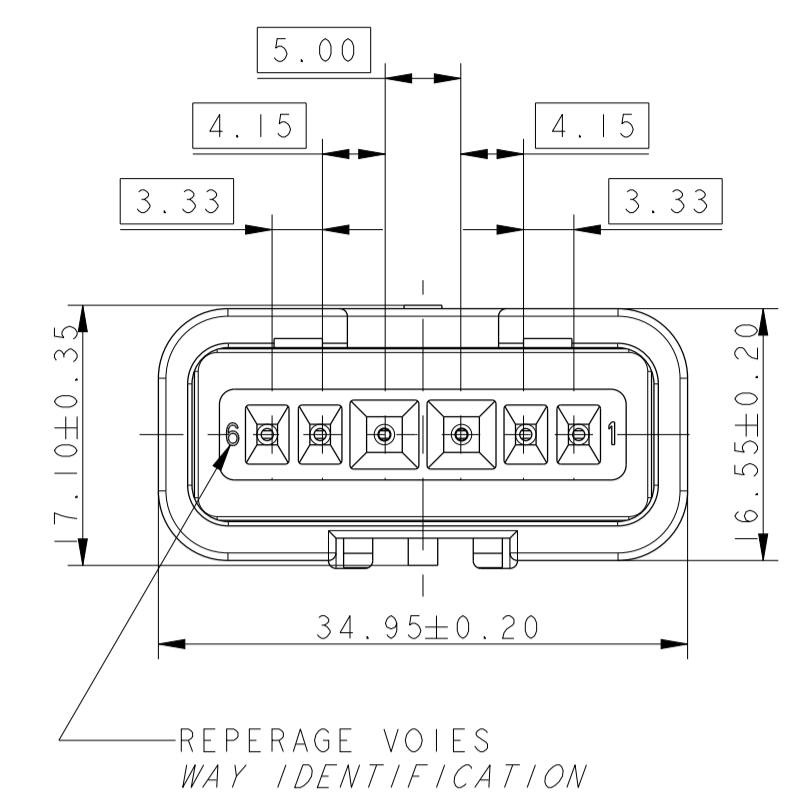
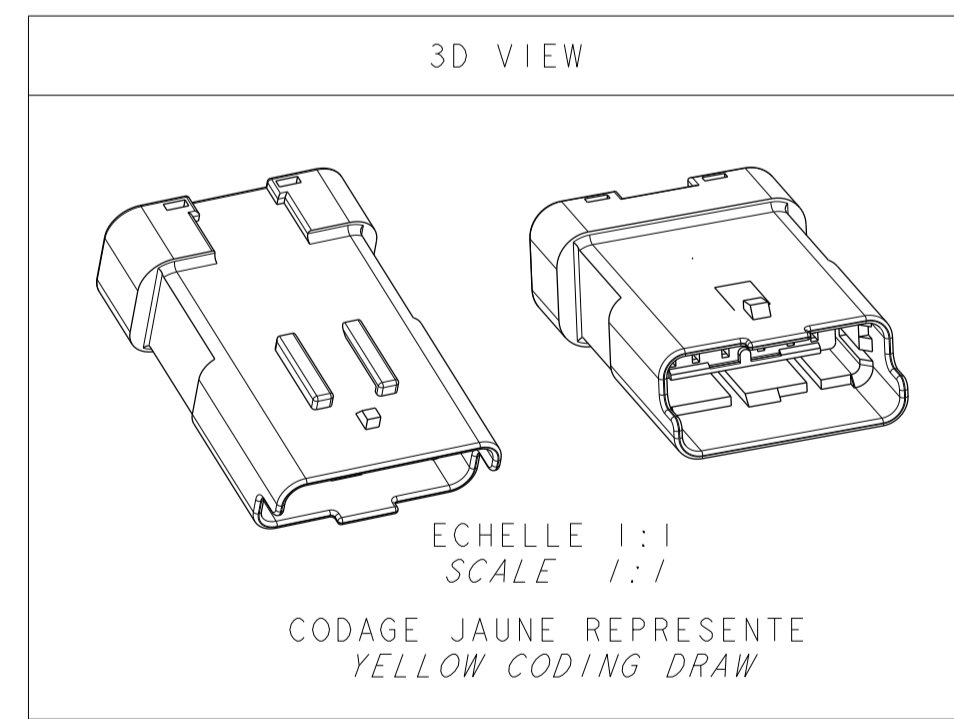


NOTA	SPECIFICATIONS
1	CONNECTEUR DOIT ETRE CONFORME AU CDC : 96 238 404 99 FEMALE CONNECTOR ACCORDING TO SPECIFICATION PSA : 96 238 404 99
2	CONNECTEUR SUIVANT: FEMALE CONNECTOR ACCORDING TO -CLASSE DE TEMPERATURE T3 SELON B217050 REV A TEMPERATURE CLASS T3 ACCORDING TO B217050 REV A -CLASSE DE VIBRATION MOTEUR SELON B217050 REV A ENGINE VIBRATOR CLASS ACCORDING TO B217050 REV A -CLASSE ETANCHEITE 2 SELON B217050 REV A SEALING CLASS 2 ACCORDING TO B217050 REV A
3	PRECONISATION D'UTILISATION / USER MANUAL REF MVL: PU 008 / MVL'S REFERENCE: PU 008
4	ALVEOLE SUIVANT STE: 96 289 050 99 CAVITY ACCORDING TO: STE: 96 289 050 99
5	CONNECTEUR ET POSITION ALVEOLE CONFORMES AU PLAN D'INTERFACE 211FT0523 FEMALE CONNECTOR AND CAVITY'S POSITION ACCORDING TO: DRAWING INTERFACE 211FT0523
6	DIAMETRE DE L'ISOLANT DES FILS WIRE INSULATION DIAMETER 1.5 : MINI=1.40 : MAXI=2.80
7	MASSE DU PRODUIT LIVRABLE : 15g DELIVERY CONNECTOR WEIGHT : 15g
8	CHARNIERE DE PLAQUETTE ARRIERE ABSENTE OU CASSEE ADMISE NO WAFER HINGE OR WAFER HINGE BROKEN ALLOWED
9	DEFAUTS D'ASPECT SUR ZONES NON FONCTIONNELLES ADMIS VISUAL DEFECTS ON NO FUNCTIONAL AREAS ALLOWED
10	ACCROCHAGE SELON STE 96 153 261 99 FIXING ACCORDING TO STE. 96.153.261 99



ISOLANT PORTE-LANGUETTES MALE HOUSING	211 I 1 051	PBT NON CHARGE PBT: 0% GF	MARRON BROWN
	211 I 5 051		VERT GREEN
	211 I 4 051		JAUNE YELLOW
GRILLE TPA	211 M 4 050	PBT: 15% FV PBT: 15% GF	JAUNE YELLOW
GROMMET MAT SEAL	211 M 110	SILICONE 30Sh AUTO-LUBRIFIE	VERT GREEN
DESIGNATION DESCRIPTION	REF. MVL MVL'S REFERENCE	MATIERE MATERIAL	COULEUR COLOUR



6V 1.5 / 6W 1.5				
			VUE F VIEW F TOLERANCES ±0.10	
MARRON / BROWN	JAUNE / YELLOW	VERT / GREEN	COULEUR COLOUR	
211 PL 06 2S 1 049	211 PL 06 2S 4 049	211 PL 06 2S 5 049	PART NUMBER	MVL
A	A	A	PART REVISION	
13606820	13642394	13716617	PART NUMBER	DELPHI
01	01		PART REVISION	

ECN-NO. NUMBER ECN	POSITION POSITION	CHANGE DESCRIPTION MODIFICATION
-	-	DELPHI P/N ADDED

PROJET SPEC. SPECIF. PRODUIT	PACKAGING SPEC. SPECIF. EMBALLAGE	APPLICATION SPEC. SPECIF. APPLICATION	COPYRIGHT DELPHI CORPORATION AND/OR ITS AFFILIATES. ALL RIGHTS RESERVED. REVISED THIS DRAWING IS THE PROPERTY OF DELPHI CORPORATION AND CONTAINS DELPHI CONFIDENTIAL INFORMATION. THE REPRODUCTION, DISTRIBUTION AND RELEASE OF THIS DOCUMENT OR ITS CONTENT OR ANY PART THEREOF, WITHOUT EXPRESS AUTHORIZATION, IS PROHIBITED. DE TOUT CONTENU A AUTRES, SANS AUTORISATION EXPRESSE, EST INTERDIT.
TOLERANCES ±0.1	±0.1	±0.2	MATERIAL: SEE TABLE STATE DE SURFACE
CONTRIBUTOR: COMTE MATHE #	COLOUR: SEE TABLE	ECO EXT: 664	DELPHI ELECTRICAL/ELECTRONIC ARCHITECTURE EPSON, FRANCE
DO NOT MEASURE DRAWING NE PAS MESURER LE DROUING	TOOL NO. CODE M. C.	FE	DELPHI SERIAL RELEASED
CREATED BY: COLL PAN 20150929 P PERVASIVAN	DATE: 20150929	NAME: P PERVASIVAN	DRAWING NUMBER: PCC0679449
MODIFIED BY: MULLI PAN 20150929 P FAURIE	DATE: 20150929	NAME: P FAURIE	REF. PLAN: A
CREATED BY: JERYL PAN 20150914 S LACOTE	DATE: 20150914	NAME: S LACOTE	APPROVAL LEVEL: B
APPROVED BY: PASCAL MENARD	DATE: 20150914	NAME: PASCAL MENARD	STATE: 1
FILE NAME: PCC0679449	TEST NO. FRA-0102	NUMERO CAT. 211PL06XS1049	REVISION: 1
	NO MODIFICATION ALLOWED OUTSIDE PAS DE MODIFICATION EN DEHORS		SCALE: 2:1

X-ON Electronics

Largest Supplier of Electrical and Electronic Components

Click to view similar products for [Automotive Connectors](#) category:

Click to view products by [APTIV](#) manufacturer:

Other Similar products are found below :

[003-018-000](#) [60403001](#) [60993906-B](#) [629515004020001](#) [M902-2131](#) [M902-2161](#) [72.330.1035.1](#) [73.353.4028.0](#) [F119300-B](#) [F166900](#)
[F258300-B](#) [F358300-B](#) [F407400](#) [F444110](#) [F487000](#) [F509500B-B](#) [827153-1](#) [8N1515-32-24P](#) [9-1326729-8](#) [925474-1](#) [928905-1](#) [964562-4](#)
[968782-1](#) [GT17SA-8DS-HU](#) [98891-1012](#) [98947-1016](#) [12004475-L](#) [12010290](#) [12010309-B](#) [12015454](#) [12020219-B](#) [12020308](#) [12041318-B](#)
[12052225-L](#) [12052466](#) [12059125](#) [12064869](#) [12004327-B](#) [12010503-B](#) [12015308](#) [12015384](#) [12015909](#) [1-21030-1](#) [12041254](#) [12041318](#)
[12047946-B](#) [12047957](#) [12047957-L](#) [12059473](#) [12066261](#)