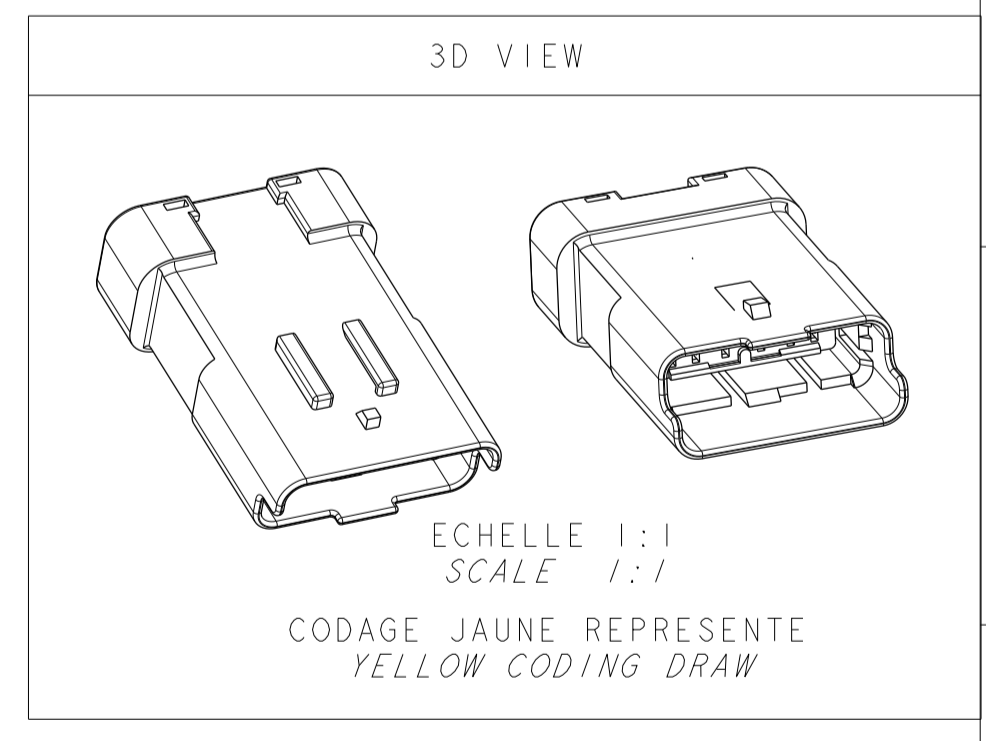
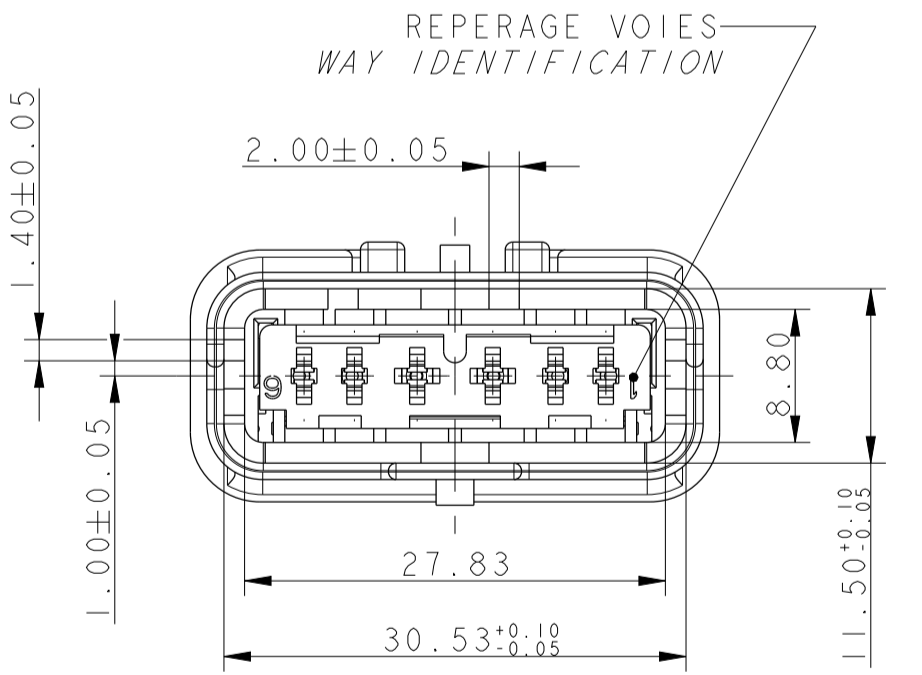
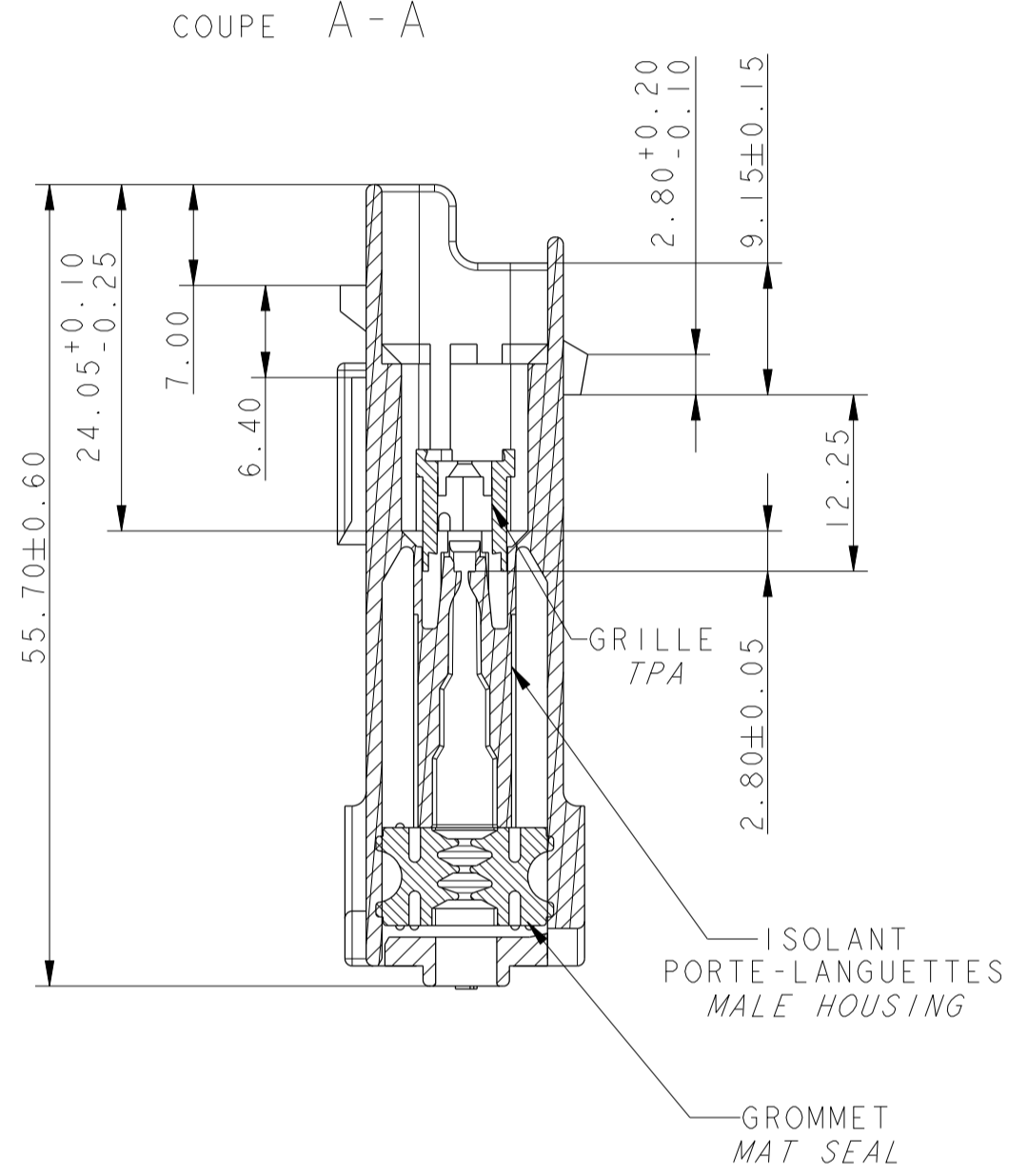
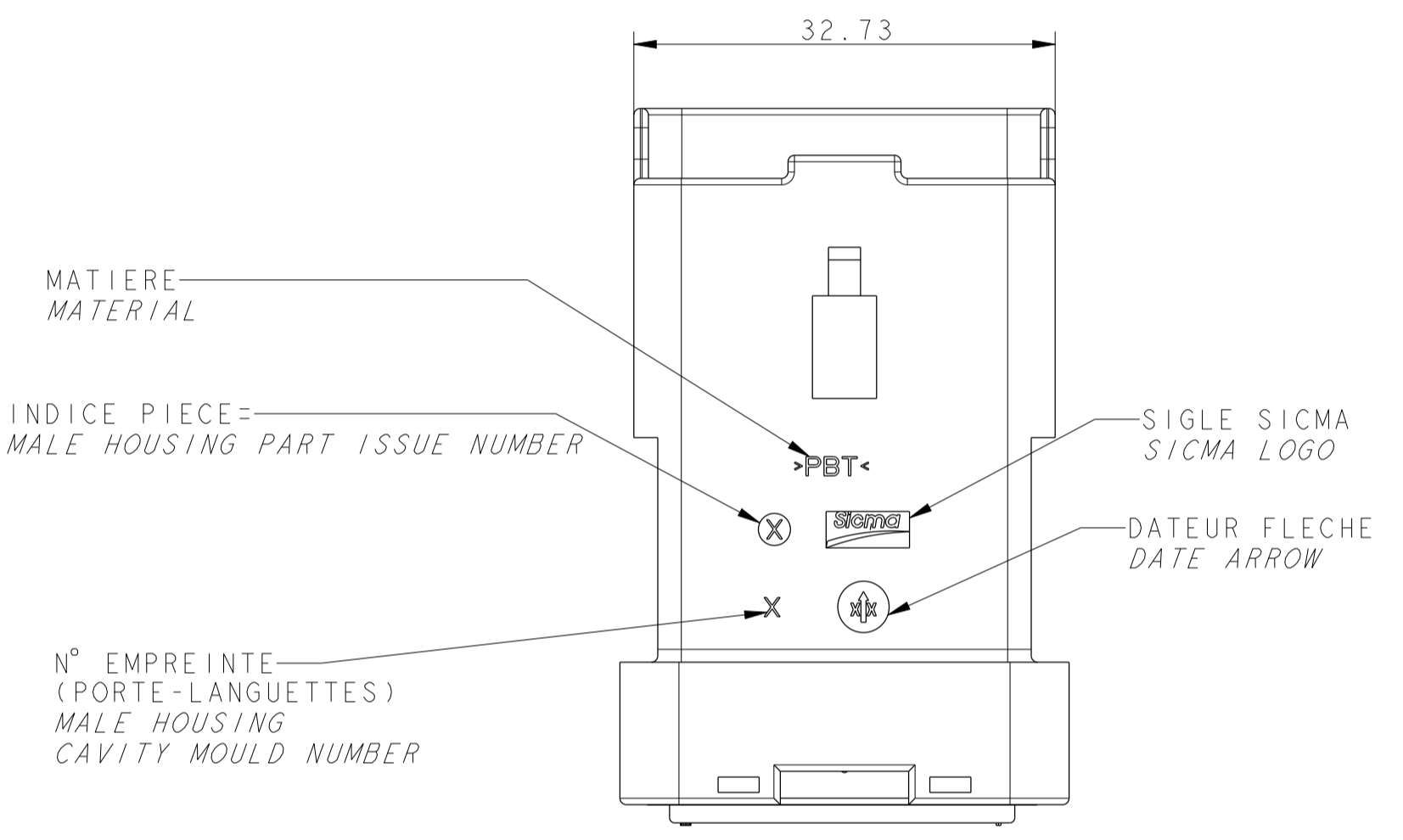
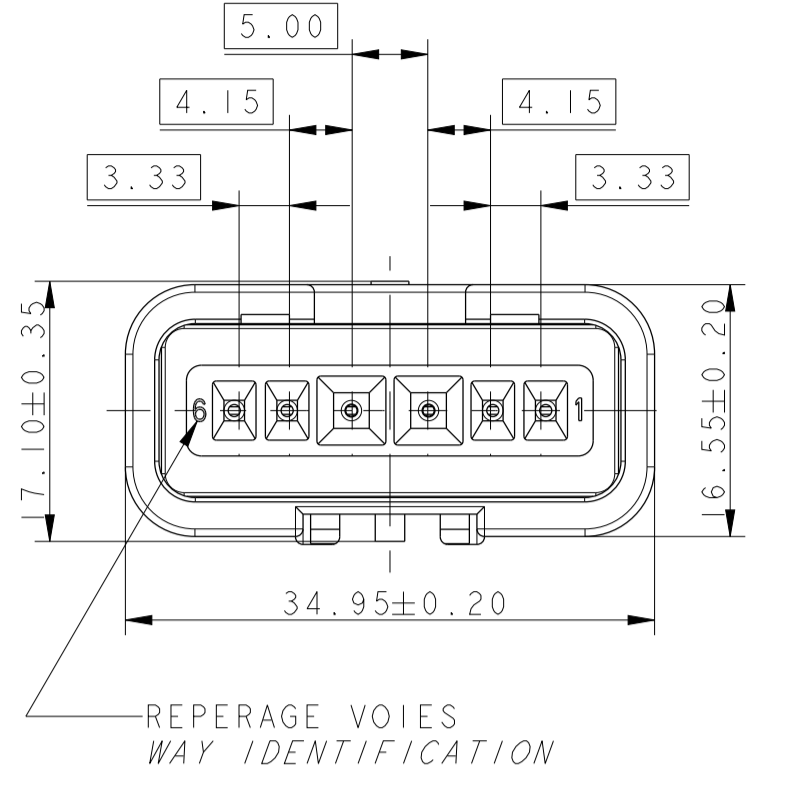


NOTA	SPECIFICATIONS
1	CONNECTEUR DOIT ETRE CONFORME AU CDC : 96 238 404 99 FEMALE CONNECTOR ACCORDING TO SPECIFICATION PSA : 96 238 404 99
2	CONNECTEUR SUIVANT: FEMALE CONNECTOR ACCORDING TO -CLASSE DE TEMPERATURE T3 SELON B217050 REV A TEMPERATURE CLASS T3 ACCORDING TO B217050 REV A -CLASSE DE VIBRATION MOTEUR SELON B217050 REV A ENGINE VIBRATOR CLASS ACCORDING TO B217050 REV A -CLASSE ETANCHEITE 2 SELON B217050 REV A SEALING CLASS 2 ACCORDING TO B217050 REV A
3	PRECONISATION D'UTILISATION / USER MANUAL REF MVL: PU 008 / MVL'S REFERENCE: PU 008
4	ALVEOLE SUIVANT STE: 96 289 050 99 CAVITY ACCORDING TO: STE: 96 289 050 99
5	CONNECTEUR ET POSITION ALVEOLE CONFORMES AU PLAN D'INTERFACE 211FT0523 FEMALE CONNECTOR AND CAVITY'S POSITION ACCORDING TO: DRAWING INTERFACE 211FT0523
6	DIAMETRE DE L'ISOLANT DES FILS WIRE INSULATION DIAMETER 1.5 : MINI=1.40 : MAXI=2.80
7	MASSE DU PRODUIT LIVRABLE : 15g DELIVERY CONNECTOR WEIGHT : 15g
8	CHARNIERE DE PLAQUETTE ARRIERE ABSENTE OU CASSEE ADMISE NO WAFER HINGE OR WAFER HINGE BROKEN ALLOWED
9	DEFAUTS D'ASPECT SUR ZONES NON FONCTIONNELLES ADMIS VISUAL DEFECTS ON NO FUNCTIONAL AREAS ALLOWED
10	ACCROCHAGE SELON STE 96 153 261 99 FIXING ACCORDING TO STE. 96.153.261 99



ISOLANT PORTE-LANGUETTES MALE HOUSING	211 I 1 051	PBT NON CHARGE PBT: 0% GF	MARRON BROWN
	211 I 5 051		VERT GREEN
	211 I 4 051		JAUNE YELLOW
GRILLE TPA	211 M 4 050	PBT: 15% FV PBT: 15% GF	JAUNE YELLOW
GROMMET MAT SEAL	211 M 110	SILICONE 30Sh AUTO-LUBRIFIE	VERT GREEN
DESIGNATION DESCRIPTION	REF. MVL MVL'S REFERENCE	MATIERE MATERIAL	COULEUR COLOUR

6V 1.5 / 6W 1.5				
			VUE F VIEW F TOLERANCES ±0.10	
MARRON / BROWN	JAUNE / YELLOW	VERT / GREEN	COULEUR COLOUR	
211 PL 06 2S 1 049	211 PL 06 2S 4 049	211 PL 06 2S 5 049	PART NUMBER	MVL
A	A	A	PART REVISION	DELPHI
13606820	13642394	13716617	PART NUMBER	
01	01	01	PART REVISION	

ECN-NO. NUMBER ECN	POSITION POSITION	CHANGE DESCRIPTION MODIFICATION
-	-	DELPHI P/N ADDED

PROJECT SPEC. SPECIF. PRODUIT	PACKAGING SPEC. SPECIF. EMBALLAGE	APPLICATION SPEC. SPECIF. APPLICATION	COPYRIGHT DELPHI CORPORATION AND/OR ITS AFFILIATES. ALL RIGHTS RESERVED. REVISED THIS DRAWING IS THE PROPERTY OF DELPHI CORPORATION AND CONTAINS DELPHI CONFIDENTIAL INFORMATION. THE REPRODUCTION, DISTRIBUTION AND RELEASE OF THIS DOCUMENT BY ANY MEANS, IN ANY FORM OR BY ANY MEANS, WITHOUT EXPRESS AUTHORIZATION, IS PROHIBITED. (LE PLAN EST LA PROPRIETE DE DELPHI CORPORATION ET CONTIEN DES INFORMATIONS CONFIDENTIELLES. LA REPRODUCTION, LA DISTRIBUTION ET LA UTILISATION DE CE DOCUMENT EN TOUTES FORMES, EN TOUTES LANGUES, SANS AUTORISATION PREALABLE, EST INTERDITE.)
TOLERANCES TOLERANCES	±0.1 ±2*	MATERIAL: MATIERE: SEE TABLE	STATE OF SURFACE: ETAT DE SURFACE
CONTRACT N. CONTRAT N°	COLOUR: COULEUR	SEE TABLE	
DO NOT MEASURE DRAWING NE PAS MESURER LE DROIT	TOOL NO. OUTIL N°	ECO EXP: CODE M. C.	FE
DATE DATE	NAME NOM	TITLE TITRE	DESIGNATION
CREATED BY CREE PAR	20150802 P PERISSIANNI	6W 15 MALE CONNECTOR	
MODIFIED BY MODIFIE PAR	20150807 F FALMUS	PROJECT PROJET	
DRAWN BY DRE PAR	20150814 S LACOTE	MINI SEALED FAMILY	
APPROVED BY APPR PAR	20150814 PASCAL MENARD	ESR NO. NUMERO ESR	FRA-0102
FILE NAME NOM DE FICHIER	PCC0679449	TEXT NO. NUMERO CAP	211PL06XS049
		NO MODIFICATION ALLOWED OUTSIDE PAS DE MODIFICATION EN DEHORS	

DRAWING NUMBER REF. PLAN	REV. IND.	APPROVAL LEVEL NIV. D'APPROBATION
PCC0679449	B	SHEET FEUILLE
		1
		2
		3

DELPHI	DELPHI PACKARD ELECTRICAL/ELECTRONIC ARCHITECTURE EPIELEC. FRANCE	PROJ. / ENG.
150 PROJECTION DIMENSIONS EN MILLIMETERS		ENG SIZE FORME A I
SURFACE FINISH		SCALE: 2:1

EUR C04 112 F29

X-ON Electronics

Largest Supplier of Electrical and Electronic Components

Click to view similar products for [Automotive Connectors](#) category:

Click to view products by [APTIV](#) manufacturer:

Other Similar products are found below :

[003-018-000](#) [60403001](#) [60993906-B](#) [629515004020001](#) [M902-2131](#) [M902-2161](#) [72.330.1035.1](#) [73.353.4028.0](#) [F119300-B](#) [F166900](#)
[F258300-B](#) [F358300-B](#) [F407400](#) [F444110](#) [F487000](#) [F509500B-B](#) [827153-1](#) [8N1515-32-24P](#) [9-1326729-8](#) [925474-1](#) [928905-1](#) [964562-4](#)
[968782-1](#) [GT17SA-8DS-HU](#) [98891-1012](#) [98947-1016](#) [12004475-L](#) [12010290](#) [12010309-B](#) [12015454](#) [12020219-B](#) [12020308](#) [12041318-B](#)
[12052225-L](#) [12052466](#) [12059125](#) [12064869](#) [12004327-B](#) [12010503-B](#) [12015308](#) [12015384](#) [12015909](#) [1-21030-1](#) [12041254](#) [12041318](#)
[12047946-B](#) [12047957](#) [12047957-L](#) [12059473](#) [12066261](#)