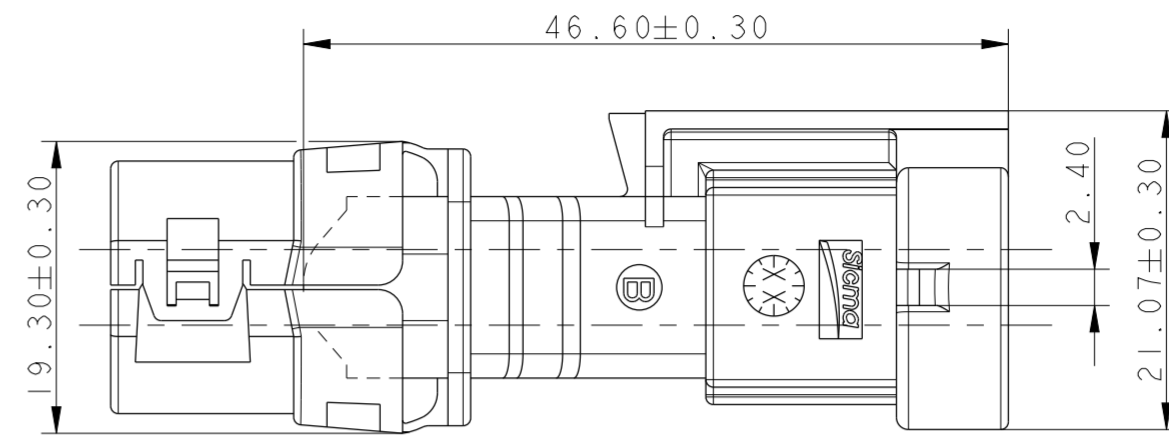
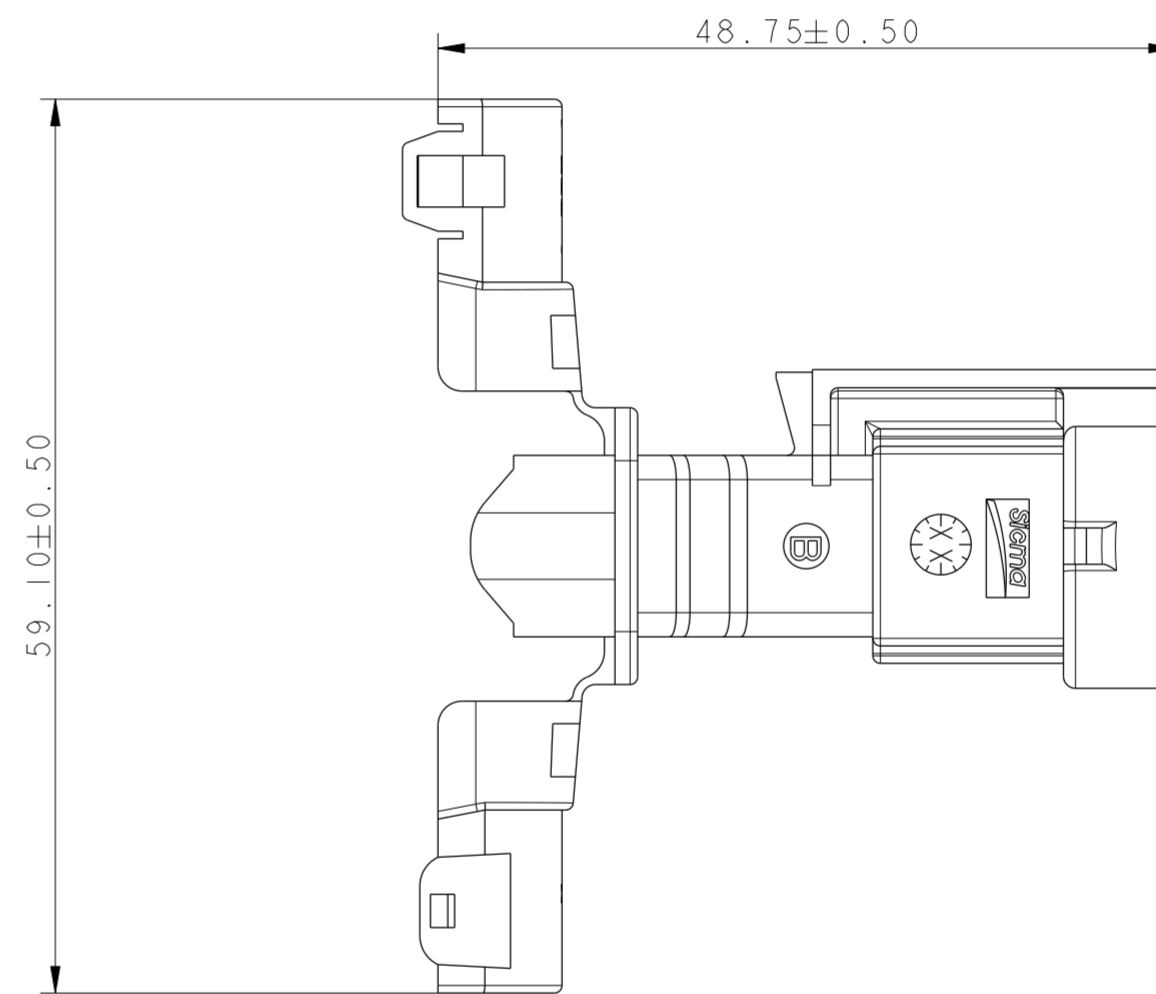


VOLETS FERMES
FLAPS CLOSED



VOLETS OUVERTS POSITION DE LIVRAISON
FLAPS OPENED DELIVERY POSITION



VUE SUIVANT FACE ACCOUPLEMENT MATING FACE VIEW		COULEUR COLOR	
GRIS	NOIR	MARRON	
211 PL 06 3 S 8 003	211 PL 06 3 S 0 003	211 PL 06 3 S 1 003	REF MVL MVL P/N
15470070	10752307	10811863	REF DELPHI DELPHI P/N

ECN-NO. NUMERO ECN	POSITION POSITION	CHANGE DESCRIPTION MODIFICATION	
PRODUCT SPEC. SPECIF. PRODUIT	PACKAGING SPEC. SPECIF. EMBALLAGE	APPLICATION SPEC. SPECIF. APPLICATION	COPYRIGHT DELPHI CORPORATION AND/OR ITS AFFILIATES. ALL RIGHTS RESERVED. REVISED THIS DRAWING IS THE PROPERTY OF DELPHI CORPORATION AND CONTAINS DELPHI CONFIDENTIAL INFORMATION. THE REPRODUCTION, DISTRIBUTION AND UTILIZATION OF THIS DOCUMENT OR ITS RELATED CAD DATA, AS WELL AS COMMUNICATION OF ANY CONTENT TO OTHERS, WITHOUT EXPRESS AUTHORIZATION, IS PROHIBITED. CE PLAN EST LA PROPRETE DE DELPHI CORPORATION ET CONTIENT DES INFORMATIONS DELPHI CONFIDENTIELLES. LA REPRODUCTION, LA DISTRIBUTION ET L'UTILISATION DE CE DOCUMENT OU DE SES DONNEES MATHEMATIQUES CAD, AINSI QUE LA COMMUNICATION DE TOUT CONTENU A AUTRUI, SANS AUTORISATION EXPRESSE, EST INTERDITE.
TOLERANCES TOLERANCES	±0.20 ; ±4*	MATERIAL : MATIERE :	SURFACE FINISH ETAT DE SURFACE
COUNTERPART N° CONTRE-PARTIE N°		COLOUR : COULEUR :	SEE TABLE
DO NOT MEASURE DRAWING NE PAS PRENDRE DE COTES		TOOL NO. OUTIL N°	
CREATED BY CREE PAR	1996/05/20 FAURIE	TITLE DESIGNATION	
MODIFIED BY MODIF. PAR	2014/11/27 F FAURIE	PROJECT PROJET	
CHECKED BY VERIF. PAR	2014/11/27 L DOMERGUE	6W 28 MALE CONNECTOR	
APPROVED BY APPR. PAR	2014/11/27 Pascal MENARD	ESR NO. NUMERO ESR	FRA-0040
FILE NAME NOM DE FICHIER	211FT0152	CAT. NO. NUMERO CAT.	PC211PL063SX003
		DOCUMENT UNDER PDS CONTROL DOCUMENT GERE SOUS P.D.S. NO MODIFICATION ALLOWED OUTSIDE IPAS DE MODIFICATION EN DEHORS	
		DRAWING NUMBER REF. PLAN	
		211FT0152	
		STATE ETAT	
		SERIAL RELEASED	
		PART NUMBER REF. ARTICLE	
		See Table	
		REV. IND.	
		C	
		APPROVAL LEVEL NIV. D'APPROBATION	
		A2	
		SHEET FEUILLE	
		1 of 1 sur 1	
		SCALE ECH.	
		2:1	

X-ON Electronics

Largest Supplier of Electrical and Electronic Components

Click to view similar products for [Automotive Connectors](#) category:

Click to view products by [APTIV](#) manufacturer:

Other Similar products are found below :

[003-018-000](#) [60403001](#) [60993906-B](#) [629515004020001](#) [M902-2131](#) [M902-2161](#) [72.330.1035.1](#) [73.353.4028.0](#) [F119300-B](#) [F166900](#)
[F258300-B](#) [F358300-B](#) [F407400](#) [F444110](#) [F487000](#) [F509500B-B](#) [827153-1](#) [8N1515-32-24P](#) [9-1326729-8](#) [925474-1](#) [928905-1](#) [964562-4](#)
[968782-1](#) [GT17SA-8DS-HU](#) [98891-1012](#) [98947-1016](#) [12004475-L](#) [12010290](#) [12010309-B](#) [12015454](#) [12020219-B](#) [12020308](#) [12041318-B](#)
[12052225-L](#) [12052466](#) [12059125](#) [12064869](#) [12004327-B](#) [12010503-B](#) [12015308](#) [12015384](#) [12015909](#) [1-21030-1](#) [12041254](#) [12041318](#)
[12047946-B](#) [12047957](#) [12047957-L](#) [12059473](#) [12066261](#)