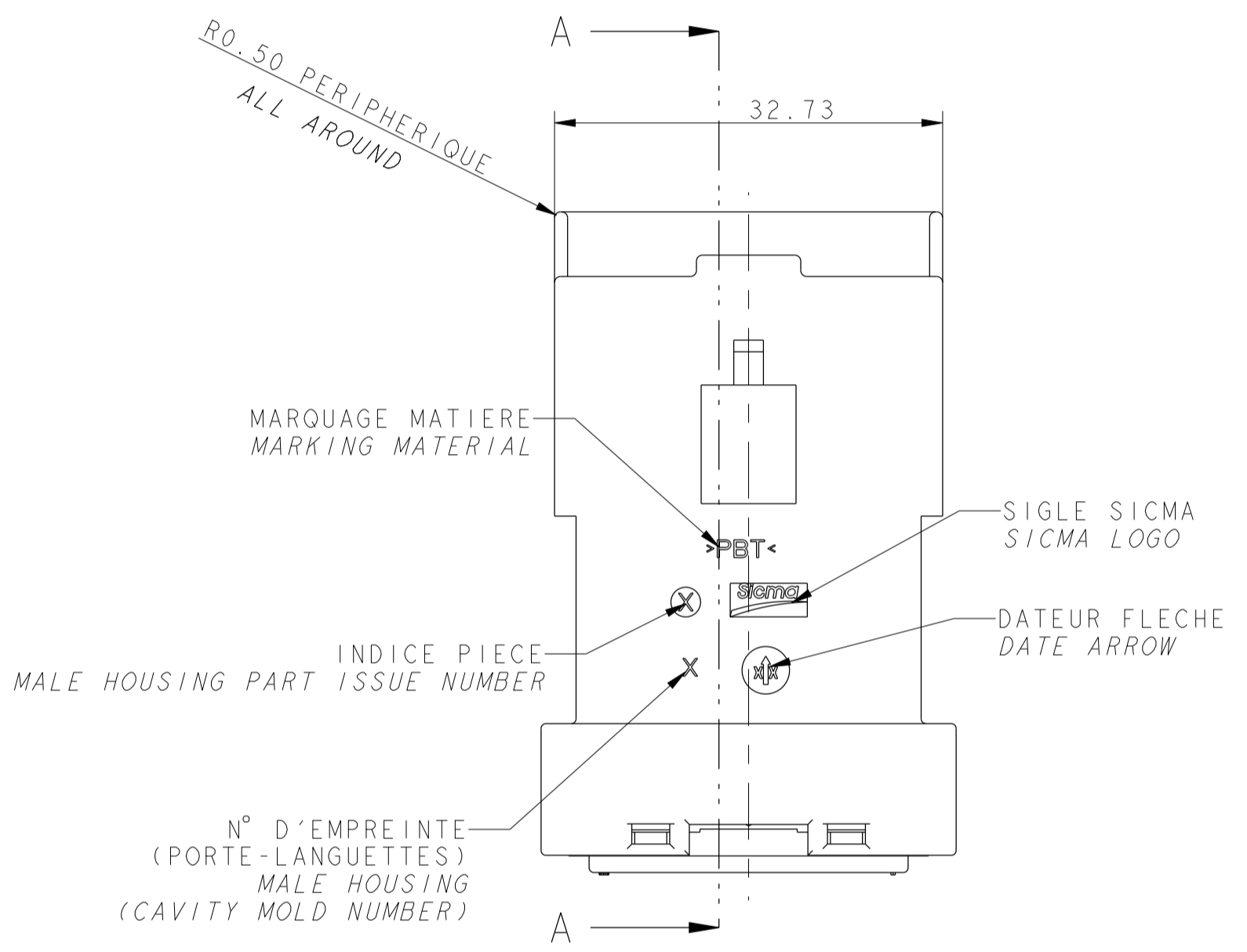
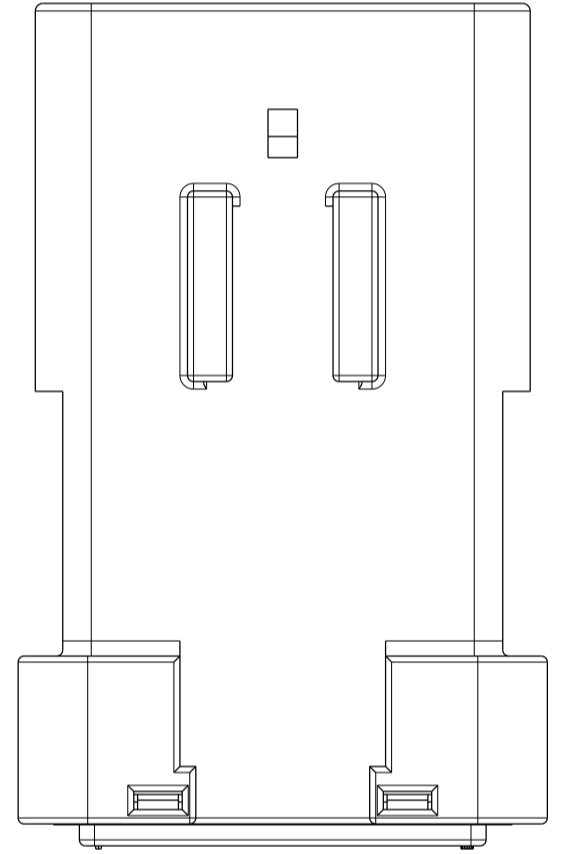
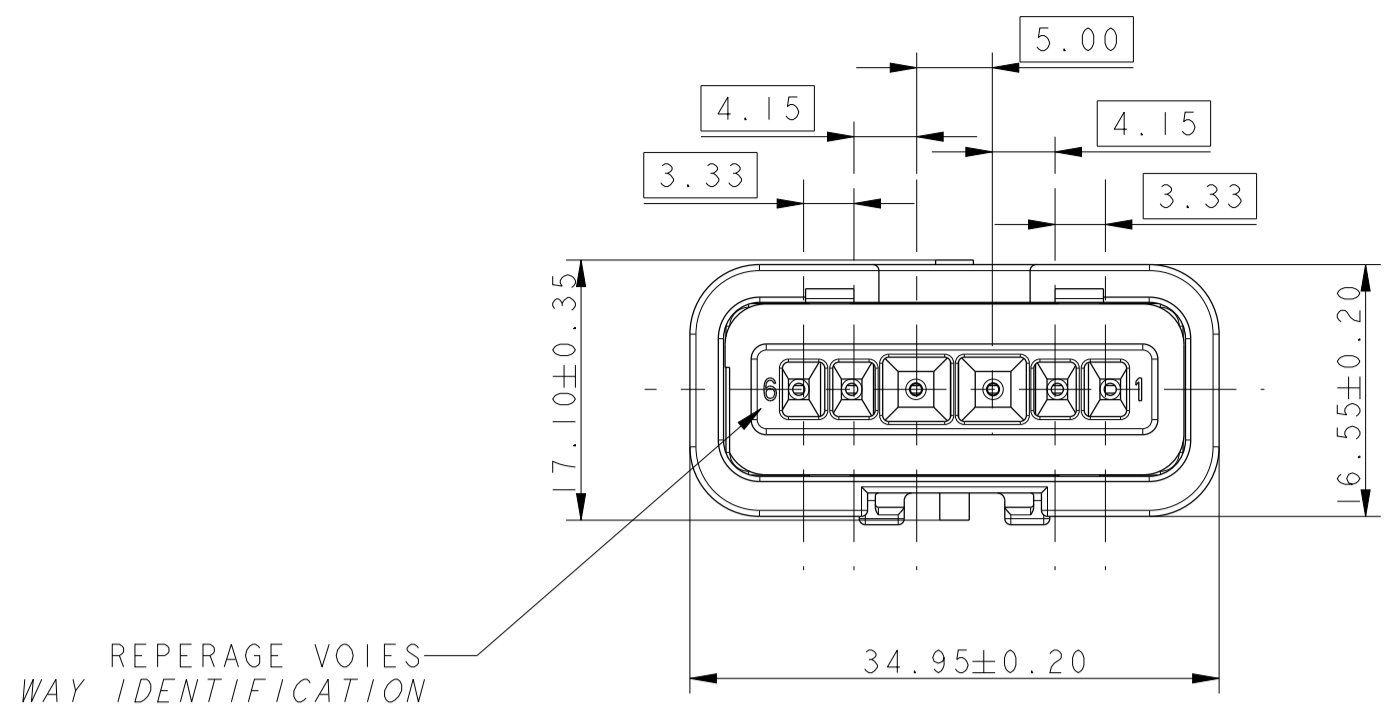
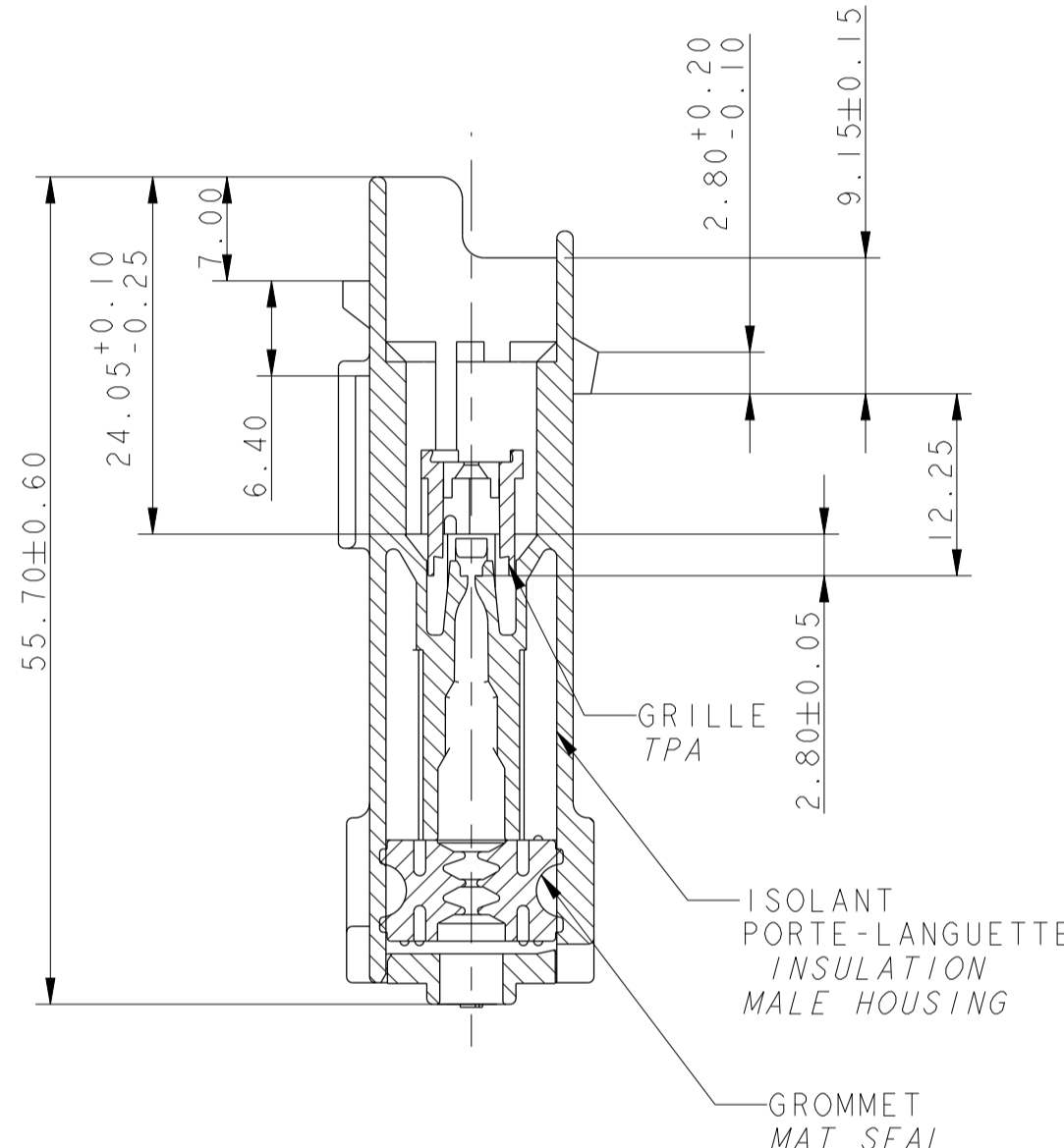


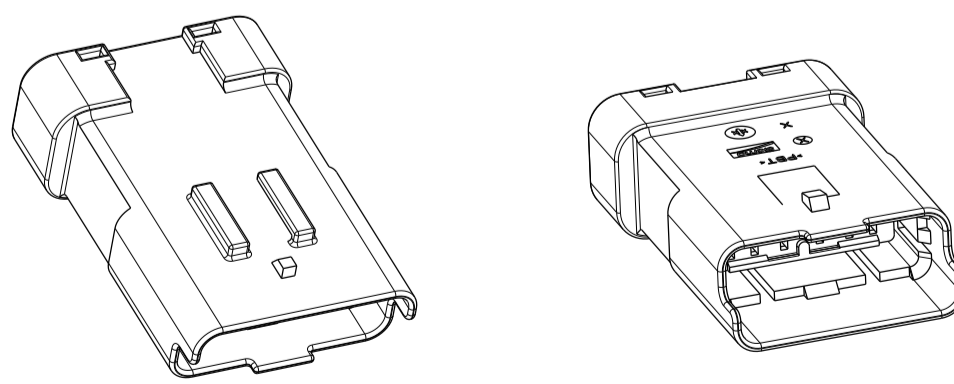
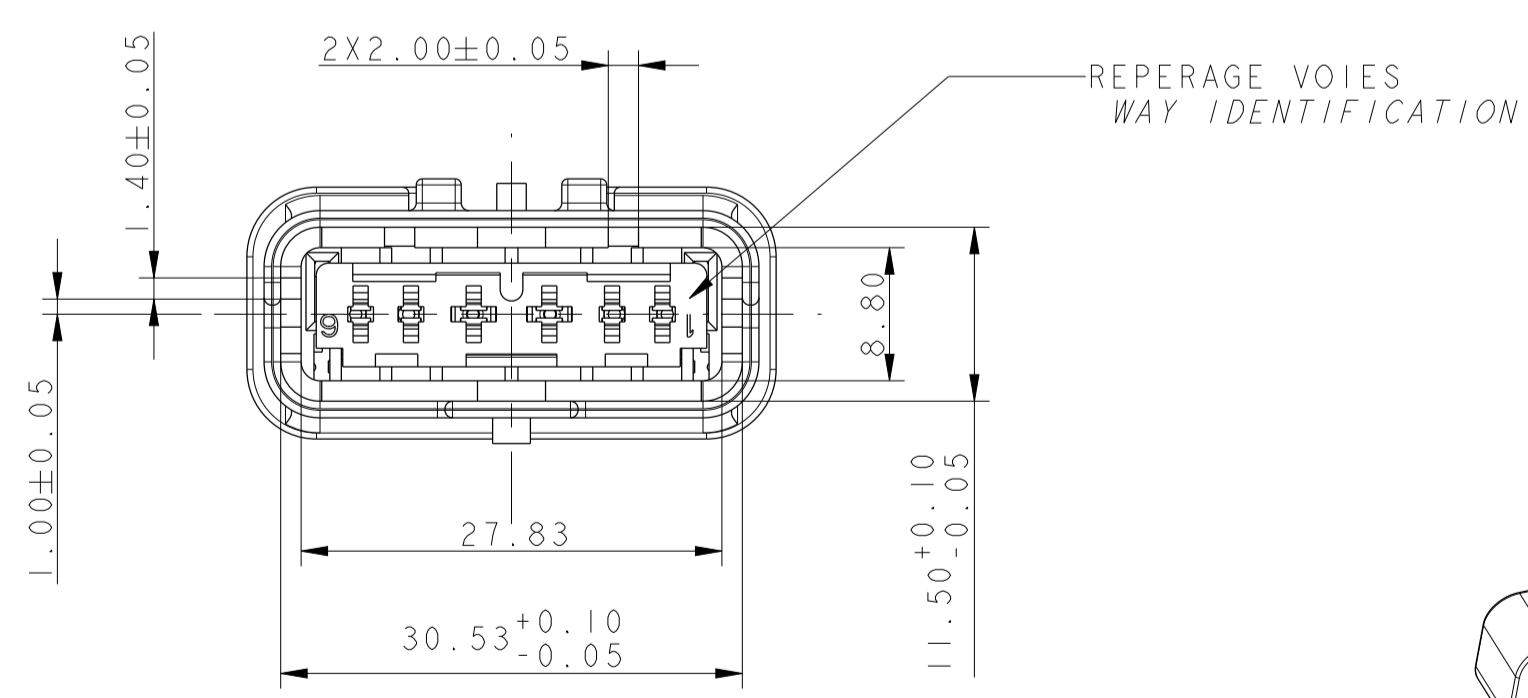
NOTA	SPECIFICATIONS
1	CONNECTEUR DOIT ETRE CONFORME AU CDC :96 238 404 99 MALE CONNECTOR ACCORDING TO SPECIFICATION PSA :96 238 404 99
2	CONNECTEUR SUIVANT: MALE CONNECTOR ACCORDING TO -CLASSE DE TEMPERATURE T3 SELON B217050 REV A -TEMPERATURE CLASS T3 ACCORDING TO B217050 REV A -CLASSE DE VIBRATION MOEUR SELON B217050 REV A -ENGINE VIBRATOR CLASS ACCORDING TO B217050 REV A -CLASSE ETANCHEITE 2 SELON B217050 REV A -SEALING CLASS 2 ACCORDING TO B217050 REV A
3	PRECONISATION D'UTILISATION /USER MANUAL REF MVL: PU 008/MVL'S REFERENCE: PU 008
4	ALVEOLE SUIVANT STE: 96 289 050 99 CAVITY ACCORDING TO: STE: 96 289 050 99
5	CONNECTEUR ET POSITION ALVEOLE CONFORMES AU PLAN D'INTERFACE 211FT0289 FEMALE CONNECTOR AND CAVITY'S POSITION ACCORDING TO: DRAWING INTERFACE 211FT0289
6	CONDUCTEUR SUIVANT STE :96 418 794 99 WIRE ACCORDING TO: STE :96 418 794 99
7	CONDITIONNEMENT SUIVANT NORME: E73 03 150G PACKAGING ACCORDING TO STANDARD: E73 03 150G
8	DIAMETRE DE L'ISOLANT DES FILS WIRE INSULATION DIAMETER 1.5 :MINI=1.40 2.8: MINI=1.60 :MAXI=2.80 :MAXI=3.45
9	MASSE DU PRODUIT LIVRABLE :15g DELIVERY CONNECTOR WEIGHT : 15g
10	CHARNIERE DE PLAQUETTE ARRIERE ABSENTE OU CASSEE ADMISE NO WAFER HINGE OR WAFER HINGE BROKEN ALLOWED
11	DEFAUTS D'ASPECT SUR ZONES NON FONCTIONNELLES ADMIS VISUAL DEFECTS ON NO FUNCTIONAL AREAS ALLOWED
12	ACCROCHAGE SELON STE 96 153 261 99 FIXING ACCORDING TO 96 153 261 99



COUPE AA  
SECTION A-A



BOUCHON CAP	210 A 01 5 019	PBT NON CHARGE PBT: 0% GF	VERT GREEN
ISOLANT PORTE-LANGUETTES INSULATION MALE HOUSING	211 I 8 032	PBT NON CHARGE PBT: 0% GF	GRIS GREY
	211 I 6 032		BLEU BLUE
	211 I 0 032		NOIR BLACK
GRILLE TPA	211 M 4 050	PBT: 15% FV PBT: 15% GF	JAUNE YELLOW
GROMMET MAT SEAL	211 M 110	SILICONE 30Sh AUTOLUBRIFIE SILICONE 30Sh SELF LUBRICATING	VERT GREEN
DESIGNATION DESCRIPTION	REF. MVL MVL'S REFERENCE	MATIERE MATERIAL	COULEUR COLOUR



ECHELLE 1:1  
SCALE 1:1  
CODAGE NOIR REPRESENTE  
BLACK CODING DRAW

VUE F VIEW F TOLERANCES ±0.10			
NOIR / BLACK	BLEU / BLUE	GRIS / GREY	COULEUR / COLOUR
211 PL 06 9 S 0 049	211 PL 06 9 S 6 049	211 PL 06 9 S 8 049	REFERENCE REFERENCE
A	A	A	INDICE PIECE (VOIR MARQUAGE SUR L'ISOLANT MALE PART LEVEL (SEE MARKING MALE HOUSING))
15396354	10779504	10768570	REFERENCE REFERENCE
01	01	01	REVISION REVISION

ECN-NO. NUMBER ECN	POSITION POSITION	CHANGE DESCRIPTION MODIFICATION	
			DELPHI P/N ADDED
PROJECT SPEC. SPECIF. PRODUIT	PACKAGING SPEC. SPECIF. EMBALLAGE	APPLICATION SPEC. SPECIF. APPLICATION	COPYRIGHT DELPHI CORPORATION AND/OR ITS AFFILIATES. ALL RIGHTS RESERVED. REVISED (THIS DRAWING IS THE PROPERTY OF DELPHI CORPORATION AND CONTAINS DELPHI CONFIDENTIAL INFORMATION. THE REPRODUCTION, DISTRIBUTION AND SALE OF THIS DOCUMENT OR ITS CONTENTS IN ANY FORM OR BY ANY MEANS WITHOUT EXPRESS AUTHORIZATION OF DELPHI CORPORATION IS PROHIBITED. LE PLAN EST LA PROPRIETE DE DELPHI CORPORATION ET CONTIEN DES INFORMATIONS CONFIDENTIELLES. LA REPRODUCTION, LA DISTRIBUTION ET LA VENTE DE CE DOCUMENT OU DE SES CONTENUX SANS LA PERMISSE EXPLICITE DE DELPHI CORPORATION EST INTERDIT.
TOLERANCES TOLERANCES	±0.1 ±0.2	MATERIAL: MATIERE: SEE TABLE	STAT DE SURFACE
CONTRIBUTOR: CONCEPTEUR		COLOR: COULEUR: SEE TABLE	
DO NOT REASURE DRAWING RE PAS REASURE DE COUPE		ISO PROJ: PROJET	ECO Exp: CODE M. C. FE
DATE	NAME NOM	TITLE TITRE	DESIGNATION
			6W HYBRID MALE CONNECTOR
CREATED BY	DATE	MANDAT	PROJECT
MODIFIED BY	DATE	F. FAURE	PROJECT
APPROVED BY	DATE	S. LACOTE	
APP. PAR	DATE		
FILE NAME			

**DELPHI**  
DELPHI PACKARD ELECTRICAL/ELECTRONIC ARCHITECTURE  
EPRONEX, FRANCE

**DELPHI**  
DELPHI CORPORATION AND/OR ITS AFFILIATES  
300 NORTH ZEEB ROAD  
TROY, MI 48060-8001  
USA

**DELPHI**  
DELPHI CORPORATION AND/OR ITS AFFILIATES  
300 NORTH ZEEB ROAD  
TROY, MI 48060-8001  
USA

**DELPHI**  
DELPHI CORPORATION AND/OR ITS AFFILIATES  
300 NORTH ZEEB ROAD  
TROY, MI 48060-8001  
USA

DRAWING NUMBER: 211FT0448

STATE: A1

PART NUMBER: 211PL069S049

REF. ARTICLE

SCALE: 2:1

See Table

## X-ON Electronics

Largest Supplier of Electrical and Electronic Components

*Click to view similar products for [Automotive Connectors](#) category:*

*Click to view products by [APTIV](#) manufacturer:*

Other Similar products are found below :

[003-018-000](#) [60403001](#) [60993906-B](#) [M902-2131](#) [M902-2161](#) [72.330.1035.1](#) [73.353.4028.0](#) [F119300-B](#) [F166900](#) [F258300-B](#) [F358300-B](#)  
[F407400](#) [F444110](#) [F487000](#) [F509500B-B](#) [827153-1](#) [8N1515-32-24P](#) [9-1326729-8](#) [925474-1](#) [928905-1](#) [964562-4](#) [968782-1](#) [GT17SA-8DS-](#)  
[HU](#) [98891-1012](#) [98947-1016](#) [12004475-L](#) [12010290](#) [12010309-B](#) [12015454](#) [12020219-B](#) [12020308](#) [12041318-B](#) [12052225-L](#) [12052466](#)  
[12059125](#) [12064869](#) [12004327-B](#) [12010503-B](#) [12015308](#) [12015384](#) [12015909](#) [1-21030-1](#) [12041254](#) [12041318](#) [12047946-B](#) [12047957](#)  
[12047957-L](#) [12059473](#) [12066261](#) [12110546](#)