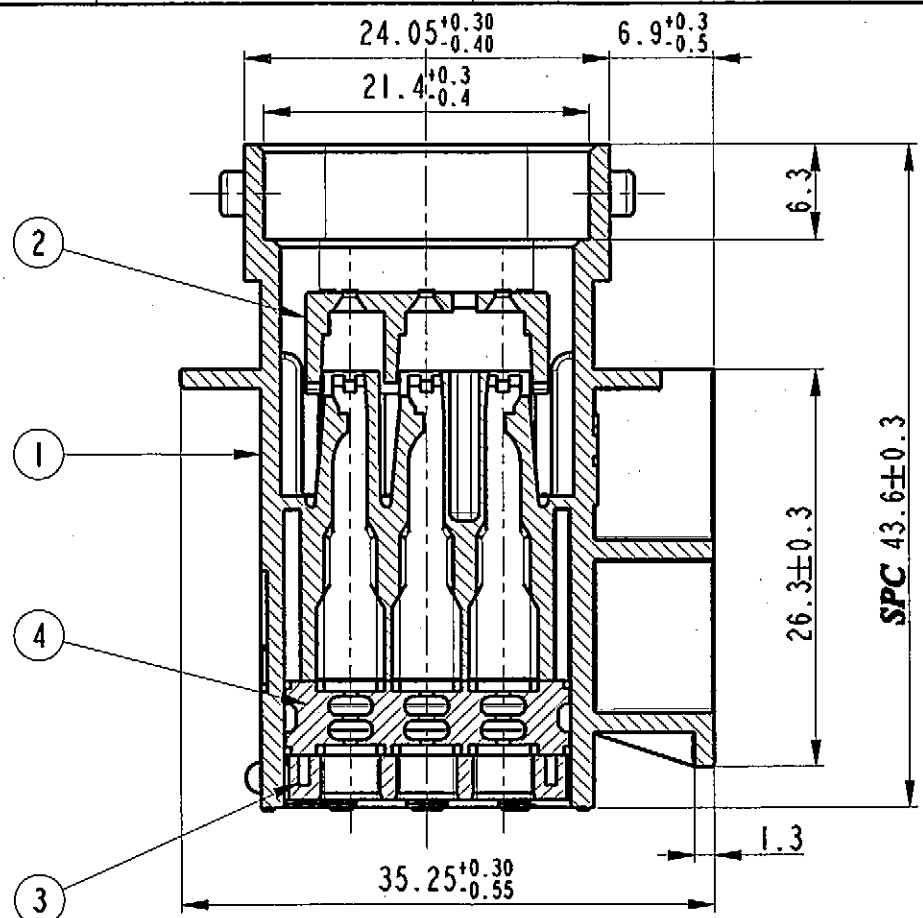
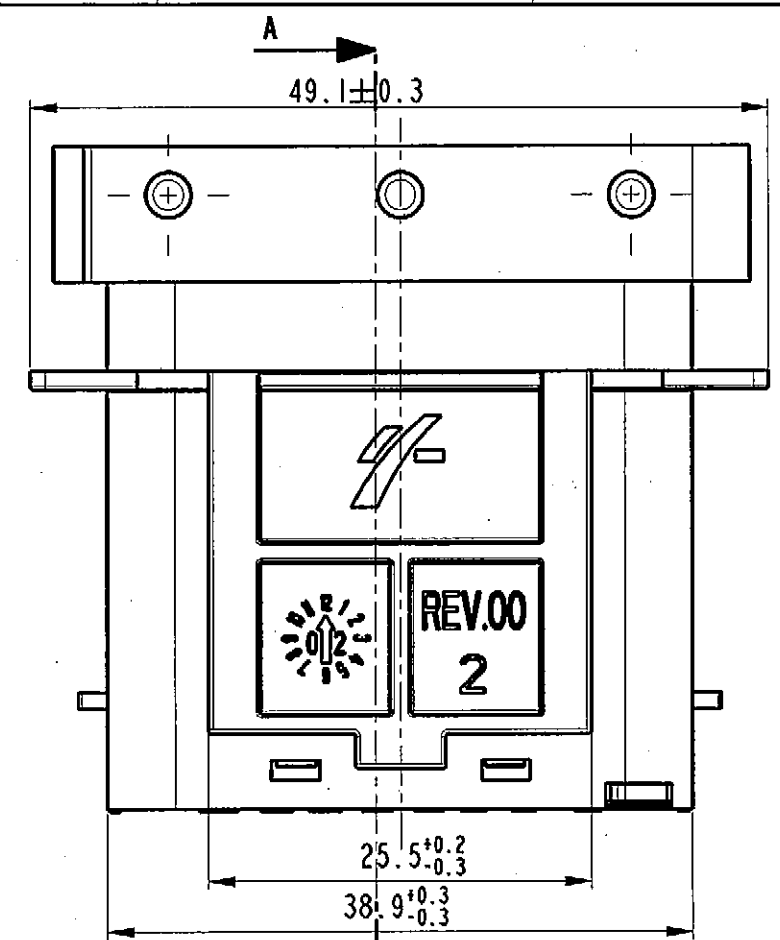
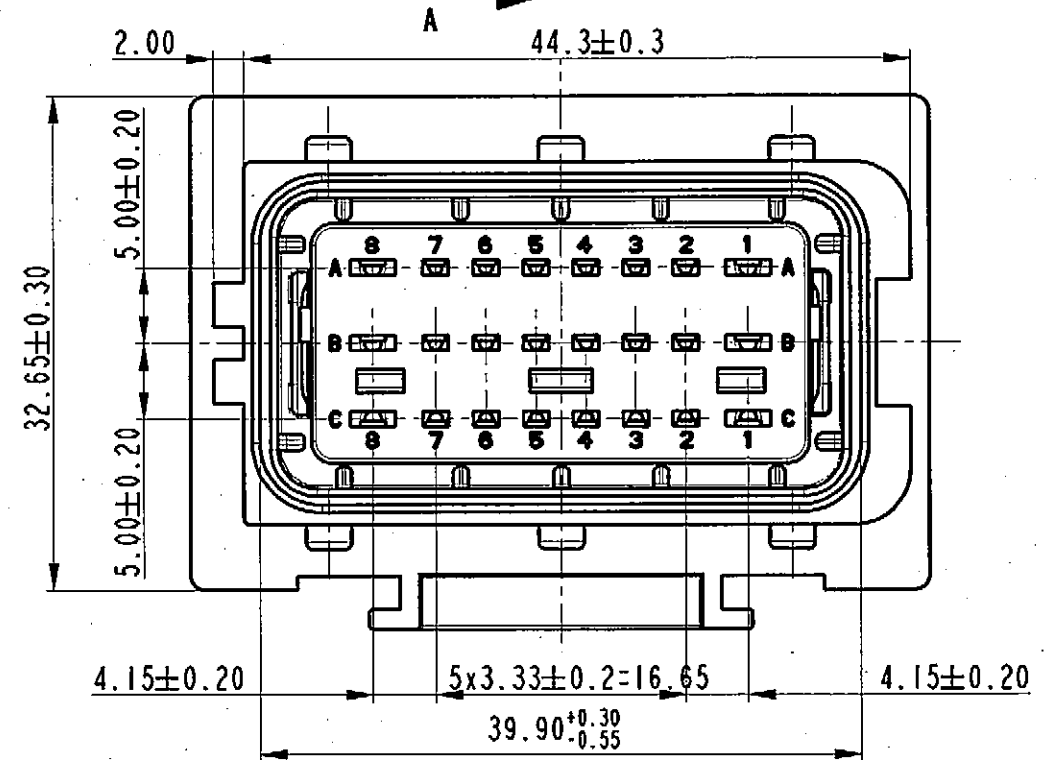


**STRICTLY CONFIDENTIAL**



N°	DESCRIPTION	COLOR	MATERIAL
1	HOUSING	BLACK-BROWN GREY-BLUE	PBT/ PA 6
2	SECONDARY LOCK GRID	YELLOW	PBT
3	GROMMET STOP	BLACK	PBT
4	GROMMET	RED, GREEN or BLUE	SILICON



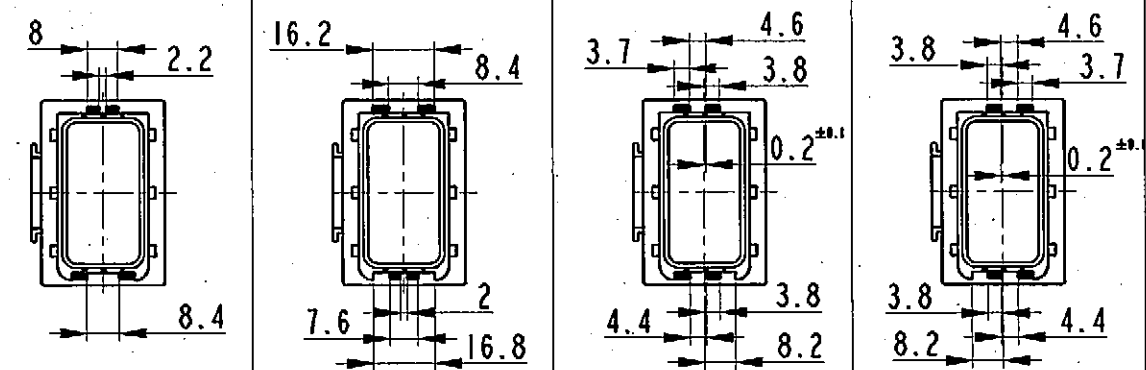
SECTION A-A

THE CATALOG NUMBERS OF THIS VERSION ARE SHOWED IN THE TABLE SHEET 2 OF 4  
 I NUMERI DI CATALOGO DI QUESTA VERSIONE SONO ELENCATI SULLA TABELLA FOGGIO 2 DI 4

**SPC Statistical Process Control**

ECN-NO.	DATE	DD / MM / YY	REVISION	POSITION	CHANGE DESCRIPTION	DRAWN BY	CHK. BY	APPR. BY
41/03	05/11/03		07		RELEASED FOR PRODUCTION			
	30/10/03		06		UPDATED DRAWING			R.R. G.S.
	21/10/03		05		SHEET 1 OF 4 CHANGE SPC DIMENSION FROM 43.9 +0.3 - 0.5 TO 43.6 ±0.3			R.R. G.S.
	01/09/03		04		MODIFIED MATERIAL FOR THE FOLLOWING P/N 211PL249SX020 - 211PL249SX023 - 211PL249SX033 WAS PA6 GF IS PBT GF			R.R. G.S.
	28/05/03		03		ADDED P/N 211PL249SX043			R.R. G.S.
	21/03/03		02		UPDATED DRAWING			R.R. G.S.
	15/01/03		01		Added sheets 3 of 4 and 4 of 4			R.R. G.S.

**CODING TABLE**  
 Tavola di codifica  
**TOLERANCES ±0.2**  
 Tolleranze  
**FRONT VIEW**  
 Vista frontale  
 ■: FULL  
 Pieno



**COLOR**      BLACK      GREY      BROWN      BLUE

PRODUCT SPEC. SPEC. DI PRODOTTO    PACKAGING SPEC. SPEC. DI IMBALLAGGIO    APPLICATION SPEC. SPEC. DI APPLICAZIONE    THIS DRAWING AND ALL OTHER INFORMATION CONTAINED THEREIN IS PROPRIETARY AND THE PROPERTY OF FCI. This drawing may not be copied, reproduced or disclosed to any third party without the expressed written permission of FCI. © FCI April 1999

TOLERANCES TOLLERANZE    MATERIAL: MATERIALE:    SURFACE FINISH FINITURA SUPERFICIALE

± 0.2mm. / ± 0.5°    SEE TABLE    COLOUR: COLORE:    TOOL NO.    LOC. CODE NAZIONALITA'    CAD SYSTEM pro / eng.

DO NOT SCALE DRAWING DISEGNO FUORI SCALA    DATE DATA    NAME NOME    TITLE DESCRIZIONE    DRAWING NUMBER NUMERO DISEGNO    SHEET FOGLIO

DRAWN BY DISEGNATORE: 04/12/02 M. Marbidelli    CHECKED BY CONTROLLATO: 04/12/02 T. Cirriello    APPROVED BY APPROVATO:    ESR NO. NUMERO ESR    FILE NAME NONE FILE    FSC 309590    CAT. NO. NUMERO CAT.    SEE TABLE ON SHEET 2 of 4    SCALE SCALA: 2:1

**FCI**    ISO PROJECTION PROIEZIONE ISO    DIMENSION IN MILLIMETERS DIMENSIONI IN MILLIMETRI    A3    1 of 4

8

7

6

5

4

3


2

DRAWING NUMBER FSC 309590 REVISION 07 SHEET 2/4 APPROVAL LEVEL LTV. DI APPROVAZIONE  
 NUMERO DISEGNO FSC 309590 REVISIONE 07 FOGLIO 2/4 LIV. DI APPROVAZIONE  
 DRAWING C  
 DISEGNO C

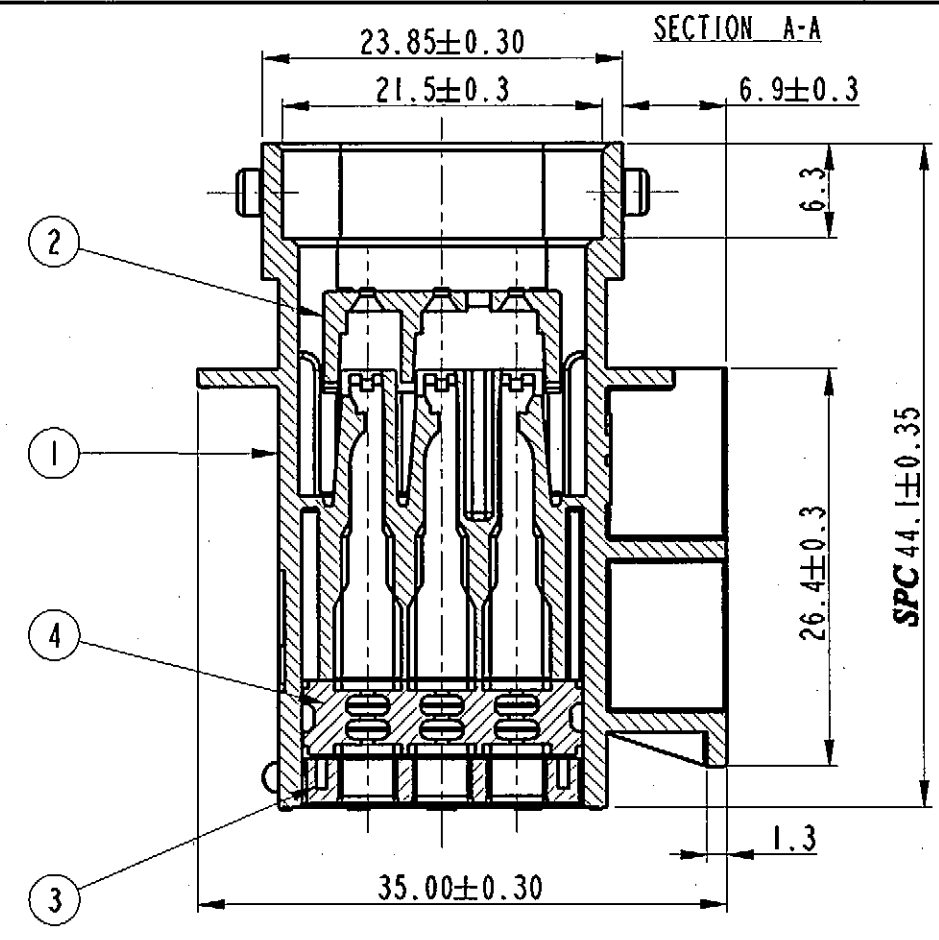
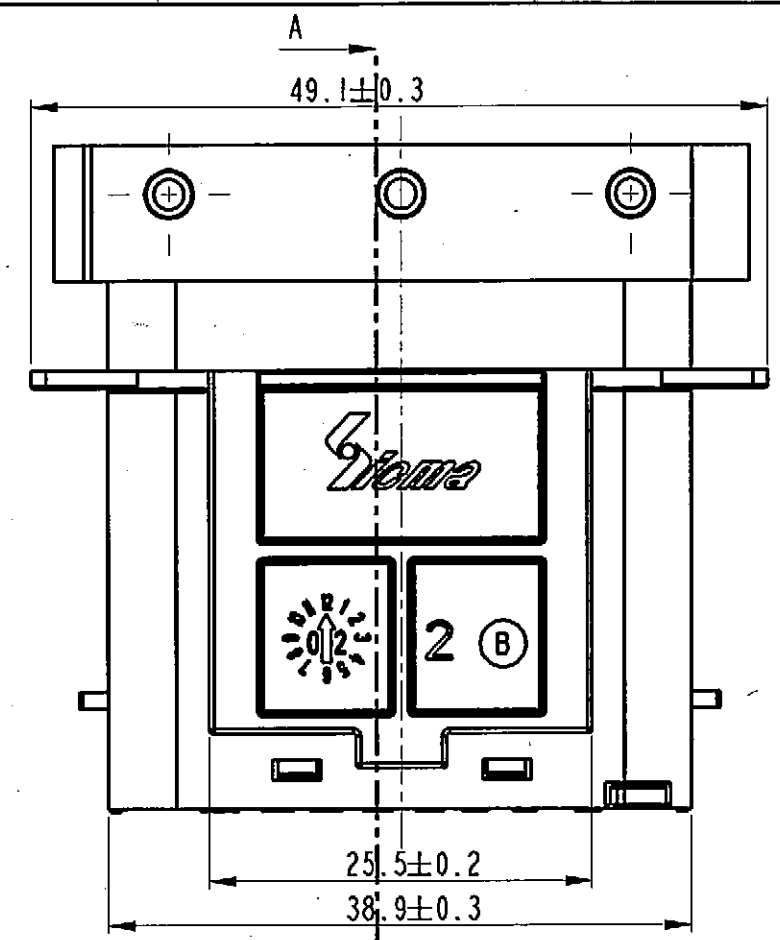
**STRICTLY CONFIDENTIAL**

**COMPONENTS**

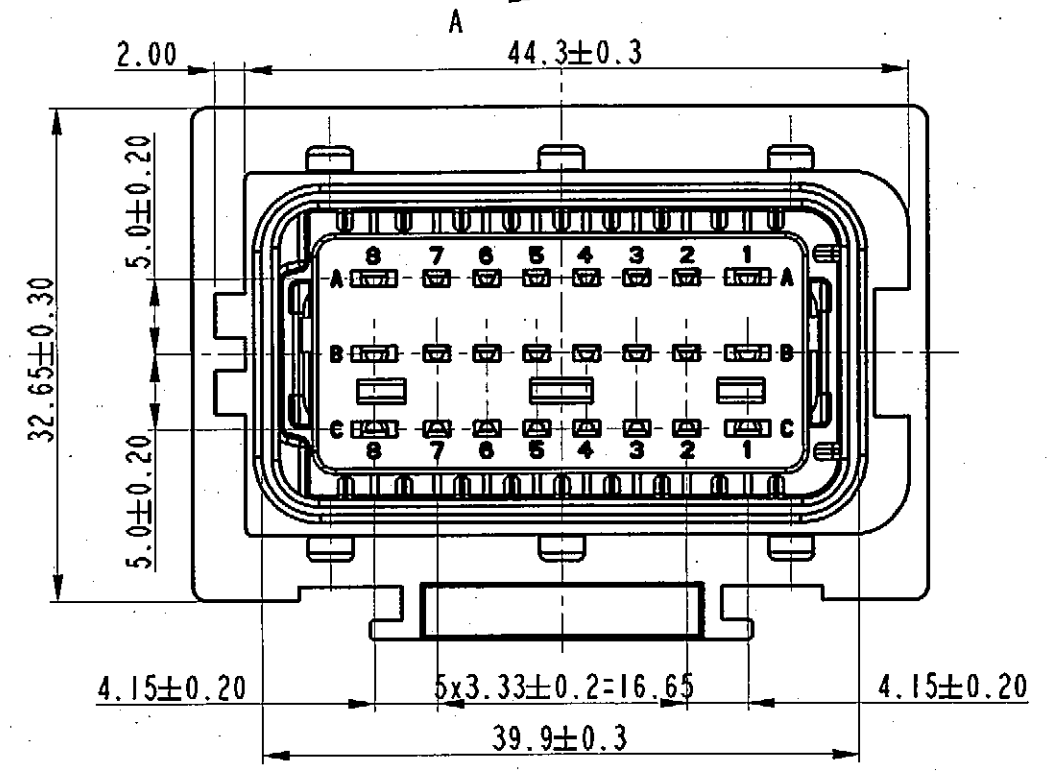
P/N ASSEMBLY	HOUSING	HOUSING MATERIAL	SEC. LOCK	GROMMET "RED"	GROMMET "GREEN"	GROMMET "BLUE"	GROMMET STOP	DETAIL "X"
2I1PL249S0020	Black	PBT	Yes					
2I1PL249SI020	Brown	PBT	Yes					
2I1PL249S6020	Blue	PBT	Yes					
2I1PL249S8020	Grey	PBT	Yes					
2I1PL249S0023	Black	PBT	Yes	Yes			Yes	
2I1PL249SI023	Brown	PBT	Yes	Yes			Yes	
2I1PL249S6023	Blue	PBT	Yes	Yes			Yes	
2I1PL249S8023	Grey	PBT	Yes	Yes			Yes	
2I1PL249S0033	Black	PBT	Yes		Yes		Yes	
2I1PL249SI033	Brown	PBT	Yes		Yes		Yes	
2I1PL249S6033	Blue	PBT	Yes		Yes		Yes	
2I1PL249S8033	Grey	PBT	Yes		Yes		Yes	
2I1PL249S0043	Black	PA 6	Yes			Yes	Yes	
2I1PL249SI043	Brown	PA 6	Yes			Yes	Yes	
2I1PL249S6043	Blue	PA 6	Yes			Yes	Yes	
2I1PL249S8043	Grey	PA 6	Yes			Yes	Yes	

ECN 41/03	05/11/03	07	RELEASED FOR PRODUCTION				
	30/10/03	06	UPDATED DRAWING			R.R.	G.S.
	21/10/03	05	SHEET 1 OF 4 CHANGE SPC DIMENSION FROM 43.9 +0.3 - 0.5 TO 43.6 ±0.3			R.R.	G.S.
	01/09/03	04	MODIFIED MATERIAL FOR THE FOLLOWING P/N 2I1PL249SX020 - 2I1PL249SX023 - 2I1PL249SX033 WAS PA6 GF IS PBT GF			R.R.	G.S.
	28/05/03	03	ADDED P/N 2I1PL249SX043			R.R.	G.S.
	21/03/03	02	UPDATED DRAWING			R.R.	G.S.
	15/01/03	01	Added sheets 3 of 4 and 4 of 4			R.R.	G.S.
ECN-NO. NUMERO - ECH	DATE DATA	REVISION REVISIONE	POSITION POSIZIONE	CHANGE DESCRIPTION DESCRIZIONE MODIFICA	DRAWN BY DISEGNATORE	CHK. BY CONTROLLATO	APPR. BY APPROVATO
PRODUCT SPEC. SPEC. DI PRODOTTO	PACKAGING SPEC. SPEC. DI IMBALLAGGIO	APPLICATION SPEC. SPEC. DI APPLICAZIONE	THIS DRAWING AND ALL OTHER INFORMATION CONTAINED THEREIN IS PROPRIETARY AND THE PROPERTY OF FCI. This drawing may not be copied, reproduced or disclosed to any third party without the expressed written permission of FCI. © FCI April 1999		QUESTO DISEGNO ED OGNI ALTRA INFORMAZIONE IN ESSO CONTENUTA SONO ESCLUSIVI E DI PROPRIETA' DELLA FCI. Questo disegno non puo' essere copiato, riprodotto o divulgato a terzi senza l'espreso consenso scritto della FCI. © FCI April 1999		
TOLERANCES TOLLERANZE	MATERIAL : MATERIALE : SEE TABLE		SURFACE FINISH FINITURA SUPERFICIALE			ISO PROJECTION PROIEZIONE ISO	CAD SYSTEM
± 0.2mm. / ± 0.5°	COLOUR : COLORE :		TOOL NO.			DIMENSION IN MILLIMETERS DIMENSIONI IN MILLIMETRI	pro / eng. A3
DO NOT SCALE DRAWING DISEGNO FUORI SCALA			LOC. CODE NAZIONALITA' I		DRAWING NUMBER NUMERO DISEGNO	SHEET FOGLIO	
DRAWN BY DISEGNATORE	DATE DATA	NAME NOME	TITLE DESCRIZIONE			FSC 309590	
CHECKED BY CONTROLLATO	04/12/02	M. Nerbidelli	24 WAYS SECTIONING ASSEMBLY MALE HOLDER			2 of 4	
APPROVED BY APPROVATO	04/12/02	T. Ciriello	ESR NO. NUMERO ESR	FILE NAME NOME FILE	CAT. NO. NUMERO CAT.	SCALE SCALA 2:1	
			ITA2043	FSC 309590	SEE TABLE		

**STRICTLY CONFIDENTIAL**



N°	DESCRIPTION	COLOR	MATERIAL
1	HOUSING	BLACK-BROWN GREY-BLUE	PBT - PA 6
2	SECONDARY LOCK GRID	YELLOW	PBT
3	GROMMET STOP	BLACK	PBT
4	GROMMET	RED, GREEN or BLUE	SILICON



THE CATALOG NUMBERS OF THIS VERSION ARE SHOWN IN THE TABLE SHEET 4 OF 4  
 I NUMERI DI CATALOGO DI QUESTA VERSIONE SONO ELENCATI SULLA TABELLA FOGLIO 4 DI 4

**SPC Statistical Process Control**

ECN-NO. / NUMERO - ECH	DATE / DATA	DD / MM / YY	REVISION / REVISIONE	POSITION / POSIZIONE	CHANGE DESCRIPTION / DESCRIZIONE MODIFICA	DRAWN BY / DISEGNATORE	CHK. BY / CONTROLLATO	APPR. BY / APPROVATO
ECN 41/03	05/11/03		07		RELEASED FOR PRODUCTION			
	30/10/03		06		UPDATED DRAWING			R.R. G.S.
	21/10/03		05		SHEET 1 OF 4 CHANGE SPC DIMENSION FROM 43.9 ± 0.3 - 0.5 TO 43.6 ± 0.3			R.R. G.S.
	01/09/03		04		MODIFIED MATERIAL FOR THE FOLLOWING P/N 211PL249SX020 - 211PL249SX023 - 211PL249SX033 WAS PA6 GF IS PBT GF			R.R. G.S.
	28/05/03		03		ADDED P/N 211PL249SX043			R.R. G.S.
	21/03/03		02		UPDATED DRAWING			R.R. G.S.
	15/01/03		01		Added sheets 3 of 4 and 4 of 4			R.R. G.S.

**CODING TABLE**  
 Tavola di codifica

TOLERANCES ±0.2  
 Tolleranze

FRONT VIEW  
 Vista frontale

■: FULL  
 Pieno

COLOR: BLACK, GREY, BROWN, BLUE

PRODUCT SPEC. / SPEC. DI PRODOTTO: THIS DRAWING AND ALL OTHER INFORMATION CONTAINED THEREIN IS PROPRIETARY AND THE PROPERTY OF FCI. This drawing may not be copied, reproduced or disclosed to any third party without the expressed written permission of FCI. © FCI April 1999

PACKAGING SPEC. / SPEC. DI IMBALLAGGIO: QUESTO DISEGNO ED OGNI ALTRA INFORMAZIONE IN ESSO CONTENUTA SONO ESCLUSIVI E DI PROPRIETA' DELLA FCI. Questo disegno non puo' essere copiato, riprodotto o divulgato a terzi senza l'espresso consenso scritto della FCI. © FCI April 1999

APPLICATION SPEC. / SPEC. DI APPLICAZIONE: SEE TABLE

TOLERANCES / TOLLERANZE: ± 0.2mm. / ± 0.5°

MATERIAL / MATERIALE: SEE TABLE

SURFACE FINISH / FINITURA SUPERFICIALE: SEE TABLE

ISO PROJECTION / PROIEZIONE ISO: A

DWG SIZE / FORMATO: 3 of 4

SCALE / SCALA: 2:1

DRAWN BY / DISEGNATORE: 13/01/03 M. Marbidelli

CHECKED BY / CONTROLLATO: 13/01/03 T. Cirriello

APPROVED BY / APPROVATO: [Signature]

TITLE / DESCRIZIONE: 24 WAYS SECTIONING ASSEMBLY MALE HOLDER

ESR NO. / NUMERO ESR: ITA2043

FILE NAME / HOME FILE: FSC 309590

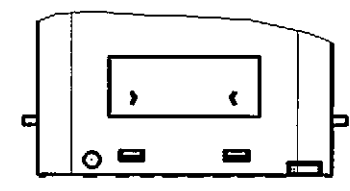
CAT. NO. / NUMERO CAT.: SEE TABLE ON SHEET 4 of 4

DRAWING NUMBER / NUMERO DISEGNO: FSC 309590

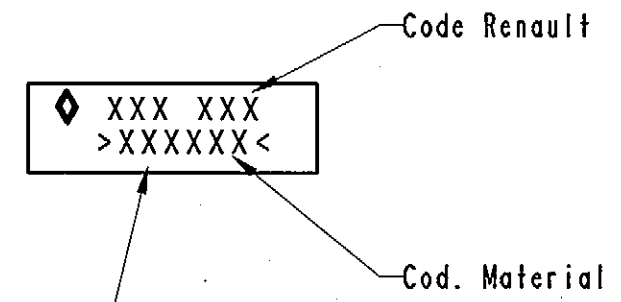
SHEET / FOGLIO: 3 of 4

**STRICTLY CONFIDENTIAL**

COMPONENTS								
P/N ASSEMBLY	HOUSING	HOUSING MATERIAL	SEC. LOCK	GROMMET 'RED'	GROMMET 'GREEN'	GROMMET 'BLUE'	GROMMET STOP	DETAIL 'X'
2I1PL249S0005	Black	PBT	Yes	Yes			Yes	Yes
2I1PL249SI005	Brown	PBT	Yes	Yes			Yes	Yes
2I1PL249S6005	Blue	PBT	Yes	Yes			Yes	Yes
2I1PL249S8005	Grey	PBT	Yes	Yes			Yes	Yes
2I1PL249S0052	Black	PA 6	Yes	Yes			Yes	Yes
2I1PL249SI052	Brown	PA 6	Yes	Yes			Yes	Yes
2I1PL249S6052	Blue	PA 6	Yes	Yes			Yes	Yes
2I1PL249S8052	Grey	PA 6	Yes	Yes			Yes	Yes



**DETAIL 'X'**  
 (Specific only for Renault Version)



Text height 2.5mm. in relief 0.1mm.

ECN-NO. / NUMERO - ECH	DATE / DATA	DD / MM / YY	REVISION / REVISIONE	POSITION / POSIZIONE	CHANGE DESCRIPTION / DESCRIZIONE MODIFICA	DRAWN BY / DISEGNATORE	CHK. BY / CONTROLLATO	APPR. BY / APPROVATO
ECN 41/03	05/11/03		07		RELEASED FOR PRODUCTION			
-	30/10/03		06		UPDATED DRAWING			R.R. G.S.
-	21/10/03		05		SHEET 1 OF 4 CHANGE SPC DIMENSION FROM 43.9 ±0.3 - 0.5 TO 43.6 ±0.3			R.R. G.S.
-	01/09/03		04		MODIFIED MATERIAL FOR THE FOLLOWING P/N 2I1PL249SX020 - 2I1PL249SX023 - 2I1PL249SX033 WAS PA6 GF IS PBT GF			R.R. G.S.
-	28/05/03		03		ADDED P/N 2I1PL249SX043			R.R. G.S.
-	21/03/03		02		UPDATED DRAWING			R.R. G.S.
-	15/01/03		01		Added sheets 3 of 4 and 4 of 4			R.R. G.S.

PRODUCT SPEC. / SPEC. DI PRODOTTO	PACKAGING SPEC. / SPEC. DI IMBALLAGGIO	APPLICATION SPEC. / SPEC. DI APPLICAZIONE	THIS DRAWING AND ALL OTHER INFORMATION CONTAINED THEREIN IS PROPRIETARY AND THE PROPERTY OF FCI. This drawing may not be copied, reproduced or disclosed to any third party without the expressed written permission of FCI. © FCI April 1999	QUESTO DISEGNO ED OGNI ALTRA INFORMAZIONE IN ESSO CONTENUTA SONO ESCLUSIVI E DI PROPRIETA' DELLA FCI. Questo disegno non puo' essere copiato, riprodotto o divulgato a terzi senza l'espresso consenso scritto della FCI. © FCI April 1999
TOLERANCES / TOLLERANZE: ± 0.2mm. / ± 0.5°		MATERIAL: / MATERIALE: SEE TABLE	SURFACE FINISH / FINITURA SUPERFICIALE: -	CAD SYSTEM: pro / eng.
DO NOT SCALE DRAWING / DISEGNO FUORI SCALA		TOOL NO.:	LOC. CODE / NAZIONALITA': I	ISO PROJECTION / PROIEZIONE ISO: A3
DRAWN BY / DISEGNATORE: 13/01/03 M. Norbidelli	DATE / DATA: 13/01/03	NAME / NOME: T. Cirillo	TITLE / DESCRIZIONE: 24 WAYS SECTIONING ASSEMBLY MALE HOLDER	DWG SIZE / FORMATO: A3
CHECKED BY / CONTROLLATO: 13/01/03			DRAWING NUMBER / NUMERO DISEGNO: FSC 309590	SHEET / FOGLIO: 4 of 4
APPROVED BY / APPROVATO:		ESR NO. / NUMERO ESR: ITA2043	FILE NAME / NOME FILE: FSC 309590	CAT. NO. / NUMERO CAT.: SEE TABLE
				SCALE / SCALA: -

## X-ON Electronics

Largest Supplier of Electrical and Electronic Components

*Click to view similar products for [Automotive Connectors](#) category:*

*Click to view products by [APTIV](#) manufacturer:*

Other Similar products are found below :

[003-018-000](#) [60403001](#) [60993906-B](#) [629515004020001](#) [M902-2131](#) [M902-2161](#) [72.330.1035.1](#) [73.353.4028.0](#) [F119300-B](#) [F166900](#)  
[F258300-B](#) [F358300-B](#) [F407400](#) [F444110](#) [F487000](#) [F509500B-B](#) [827153-1](#) [8N1515-32-24P](#) [9-1326729-8](#) [925474-1](#) [928905-1](#) [964562-4](#)  
[968782-1](#) [GT17SA-8DS-HU](#) [98891-1012](#) [98947-1016](#) [12004475-L](#) [12010290](#) [12010309-B](#) [12015454](#) [12020219-B](#) [12020308](#) [12041318-B](#)  
[12052225-L](#) [12052466](#) [12059125](#) [12064869](#) [12004327-B](#) [12010503-B](#) [12015308](#) [12015384](#) [12015909](#) [1-21030-1](#) [12041254](#) [12041318](#)  
[12047946-B](#) [12047957](#) [12047957-L](#) [12059473](#) [12066261](#)