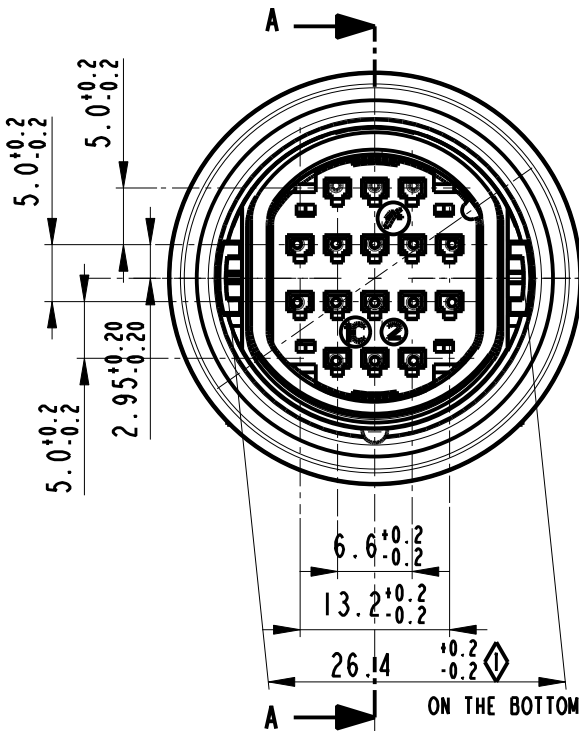
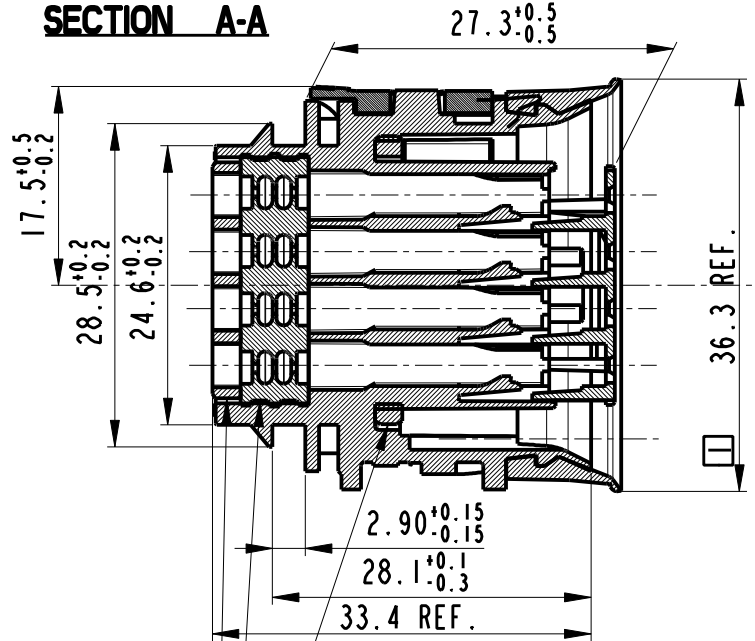


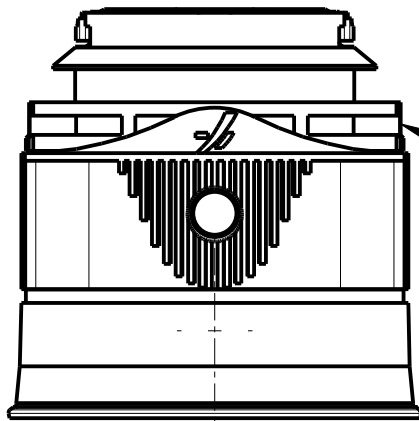
DELPHI P/N	MVL P/N
10779313	SICFHPE168KSV



SECTION A-A

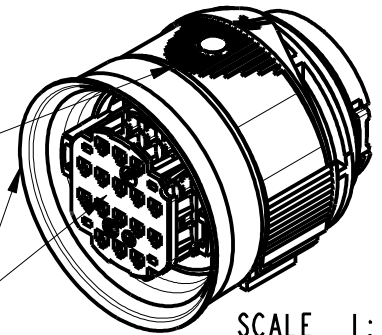


SCALE 3:2



GROMMET STOP ORANGE
 GROMMET GREEN
 INTERNAL GASKET RED

SLIDE GREY
 BODY BLACK
 EXTERNAL GASKET BLACK
 SECONDARY LOCK ORANGE



SCALE 1:1

- This connector is designed for the following female contacts:

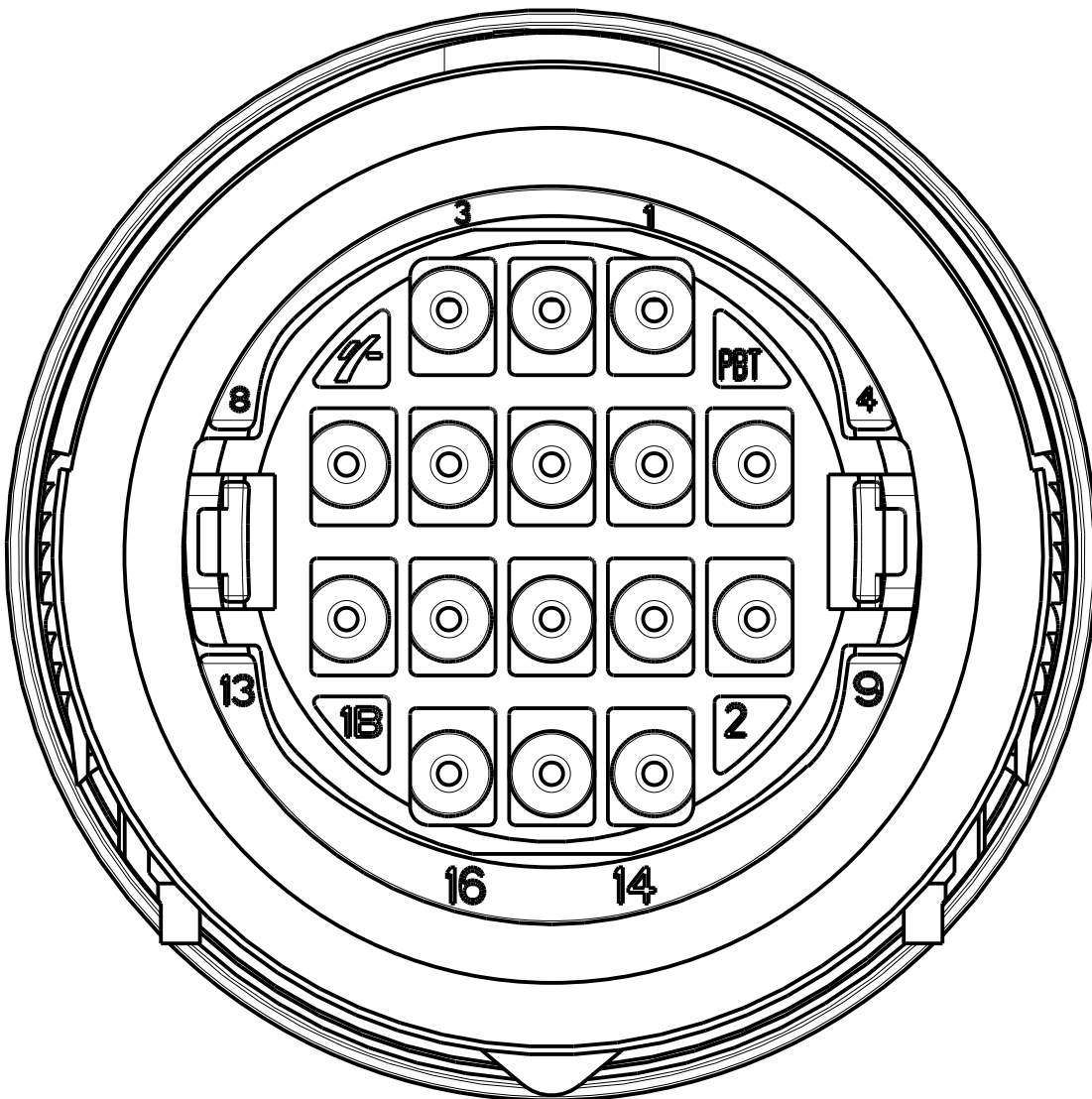
- 211 CC 2S 1120 1107381881 211 CC 2S 1160 1107403741
- 211 CC 2S 1120 1153688421 211 CC 2S 2160 1107567491
- 211 CC 2S 1120 1107258081

- For use and mating operation : see spec. IPS 204

External gasket maximum clearance after mating male and female holder.

◇ CAPABILITY

CR-16/5199	11-10-16	A		UPDATED FRAME AND ADDED DPN	F.G.	I.G.	
ECN 21-2001	14-09-01	03		RELEASE FOR PRODUCTION	R.R	P.C.B.	
	17-07-01	02		UPDATED DRAWING	R.R	P.C.B.	
	13-03-01	01		UPDATED DRAWING	R.R	P.C.B.	
ECN-NO. NUMERO -ECN	DATE DD/ MM / YY DATA	REVISION REVISIONE	POSITION POSIZIONE	CHANGE DESCRIPTION DESCRIZIONE MODIFICA	DRAWN BY DISEGNATORE	CHK. BY CONTROLLATO	APPR. BY APPROVATO
PRODUCT SPEC. SPEC. DI PRODOTTO	PACKAGING SPEC. SPEC. DI IMBALLAGGIO	APPLICATION SPEC. SPEC. DI APPLICAZIONE	COPYRIGHT DELPHI CORPORATION AND/OR ITS AFFILIATES. ALL RIGHTS RESERVED. REVISED THIS DRAWING IS THE PROPERTY OF DELPHI CORPORATION. THE REPRODUCTION, DISTRIBUTION AND UTILIZATION OF THIS DOCUMENT OR ITS RELATED CAD MATH DATA, AS WELL AS COMMUNICATION OF ANY CONTENT TO OTHERS, WITHOUT EXPRESS AUTHORIZATION IS PROHIBITED.				
IPS204	SPEC.	SPEC.	SURFACE FINISH FINITURA SUPERFICIALE				
TOLERANCES TOLLERANZE	± 0.3mm / ±2'	MATERIAL : MATERIALE :	DELPHI DELPHI PACKARD ELECTRICAL/ELECTRONIC ARCHITECTURE TORINO, ITALY				
COUNTERPART Nr. CONTROPARTE Nr.		COLOUR : COLORE :	CAD SYSTEM pro / eng.				
DO NOT SCALE DRAWING DISEGNO FUORI SCALA		TOOL NO.	LOC. CODE NAZIONALITA'	IT	ISO PROJECTION PROIEZIONE ISO	DIMENSION IN MILLIMETERS DIMENSIONI IN MILLIMETRI	DWG SIZE FORMATO A4
DRAWN BY DISEGNATORE	DATE DATA	NAME NOME	TITLE DESCRIZIONE	DRAWING NUMBER NUMERO DISEGNO		SHEET FOGLIO	
CHECKED BY CONTROLLATO	29-11-00	R.RAMPONE	16 WAYS SECTIONING CONNECTOR ASSY FEMALE HOLDER SEALED VERS.	FSA 309386		1 of 1 di 2	
APPROVED BY APPROVATO			ESR NO. NUMERO ESR	CAT. NO. NUMERO CAT.	FILE NAME NOME FILE	SCALE SCALA	
			ITA2072A	SEE TABLE	FSA309386	1:1	



CR-16/5199	11-10-16	A		UPDATED FRAME AND ADDED DPN	F.G.	I.G.	
ECN 21-2001	14-09-01	03		RELEASE FOR PRODUCTION	R.R P.C.B.		
-	17-07-01	02		UPDATED DRAWING	R.R P.C.B.		
-	13-03-01	01	-	UPDATED DRAWING	R.R P.C.B.		
ECN-NO. NUMERO -ECN	DATE DD/ MM / YY DATA	REVISION REVISIONE	POSITION POSIZIONE	CHANGE DESCRIPTION DESCRIZIONE MODIFICA	DRAWN BY DISEGNATORE	CHK. BY CONTROLLATO	APPR. BY APPROVATO
PRODUCT SPEC. SPEC. DI PRODOTTO	PACKAGING SPEC. SPEC. DI IMBALLAGGIO	APPLICATION SPEC. SPEC. DI APPLICAZIONE	COPYRIGHT DELPHI CORPORATION AND/OR ITS AFFILIATES. ALL RIGHTS RESERVED. REVISED THIS DRAWING IS THE PROPERTY OF DELPHI CORPORATION. THE REPRODUCTION, DISTRIBUTION AND UTILIZATION OF THIS DOCUMENT OR ITS RELATED CAD MATH DOCUMENTO O DELLE SUE RELATIVE MATEMATICHE CAD, NONCHE LA COMUNICAZIONE DI QUALSIASI CONTENUTO AD ALTRI, SENZA ESPLICITA AUTORIZZAZIONE, E PROIBITA EXPRESS AUTHORIZATION IS PROHIBITED.				
IPS204	SPEC.	SPEC.					
TOLERANCES TOLLERANZE	$\pm 0.3mm / \pm 2'$	MATERIAL : MATERIALE :	SURFACE FINISH FINITURA SUPERFICIALE		DELPHI DELPHI PACKARD ELECTRICAL/ELECTRONIC ARCHITECTURE TORINO, ITALY		CAD SYSTEM pro / eng.
COUNTERPART Nr. CONTROPARTE Nr.		COLOUR : COLORE :	-		C	ISO PROJECTION PROIEZIONE ISO	DIMENSION IN MILLIMETERS DIMENSIONI IN MILLIMETRI
DO NOT SCALE DRAWING DISEGNO FUORI SCALA		TOOL NO.	-		LOC. CODE NAZIONALITA'	IT	DWG SIZE FORMATO A4
DRAWN BY DISEGNATORE	DATE DATA	NAME NOME	TITLE DESCRIZIONE		DRAWING NUMBER NUMERO DISEGNO	SHEET FOGLIO	
CHECKED BY CONTROLLATO	29-11-00	R.RAMPONE	16 WAYS SECTIONING CONNECTOR ASSY FEMALE HOLDER SEALED VERS.		FSA 309386	2 of 2 di	
APPROVED BY APPROVATO			ESR NO. NUMERO ESR	CAT. NO. NUMERO CAT.	FILE NAME NOME FILE	SCALE SCALA	
			ITA2072A	SEE TABLE SHEET 1	FSA309386	1:1	

X-ON Electronics

Largest Supplier of Electrical and Electronic Components

Click to view similar products for [Automotive Connectors](#) category:

Click to view products by [APTIV](#) manufacturer:

Other Similar products are found below :

[003-018-000](#) [60403001](#) [60993906-B](#) [629515004020001](#) [M902-2131](#) [M902-2161](#) [72.330.1035.1](#) [73.353.4028.0](#) [F119300-B](#) [F166900](#)
[F258300-B](#) [F358300-B](#) [F407400](#) [F444110](#) [F487000](#) [F509500B-B](#) [827153-1](#) [8N1515-32-24P](#) [9-1326729-8](#) [925474-1](#) [928905-1](#) [964562-4](#)
[968782-1](#) [GT17SA-8DS-HU](#) [98891-1012](#) [98947-1016](#) [12004475-L](#) [12010290](#) [12010309-B](#) [12015454](#) [12020219-B](#) [12020308](#) [12041318-B](#)
[12052225-L](#) [12052466](#) [12059125](#) [12064869](#) [12004327-B](#) [12010503-B](#) [12015308](#) [12015384](#) [12015909](#) [1-21030-1](#) [12041254](#) [12041318](#)
[12047946-B](#) [12047957](#) [12047957-L](#) [12059473](#) [12066261](#)