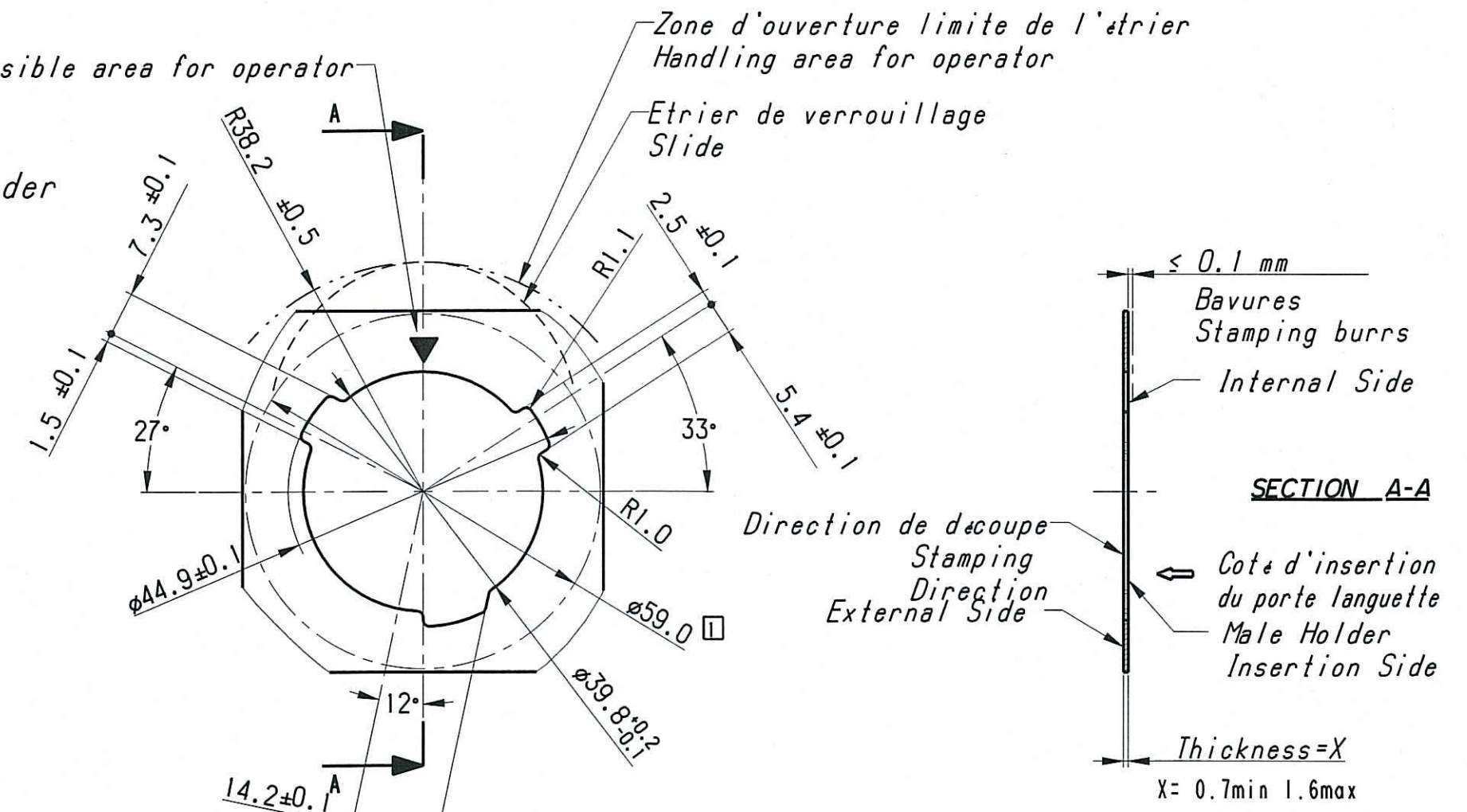
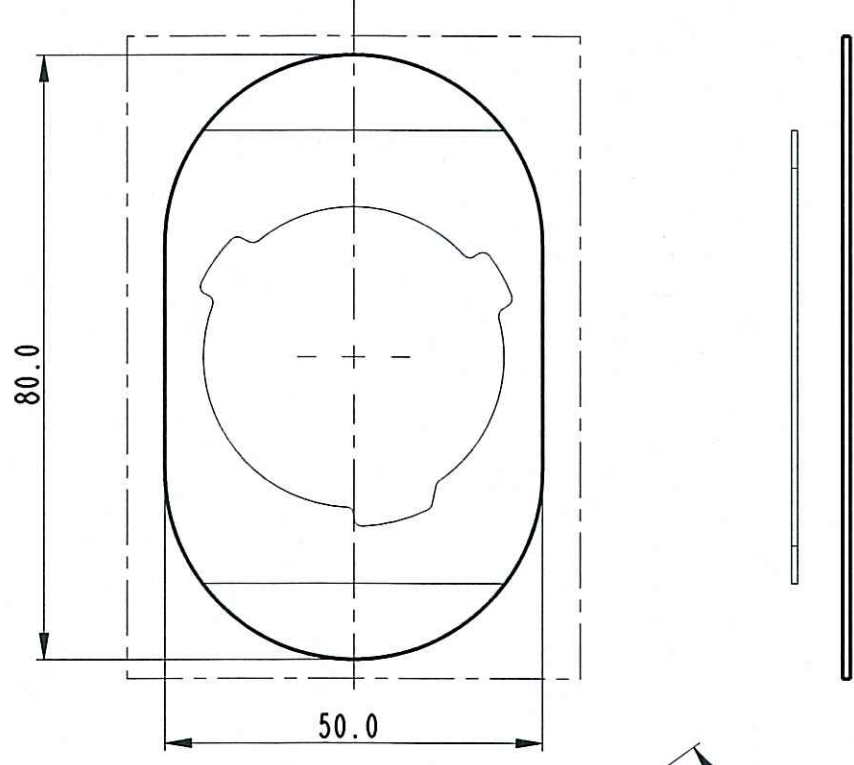


NOTE: Decoupe tole polaris e puor l'accrochage du porte languette

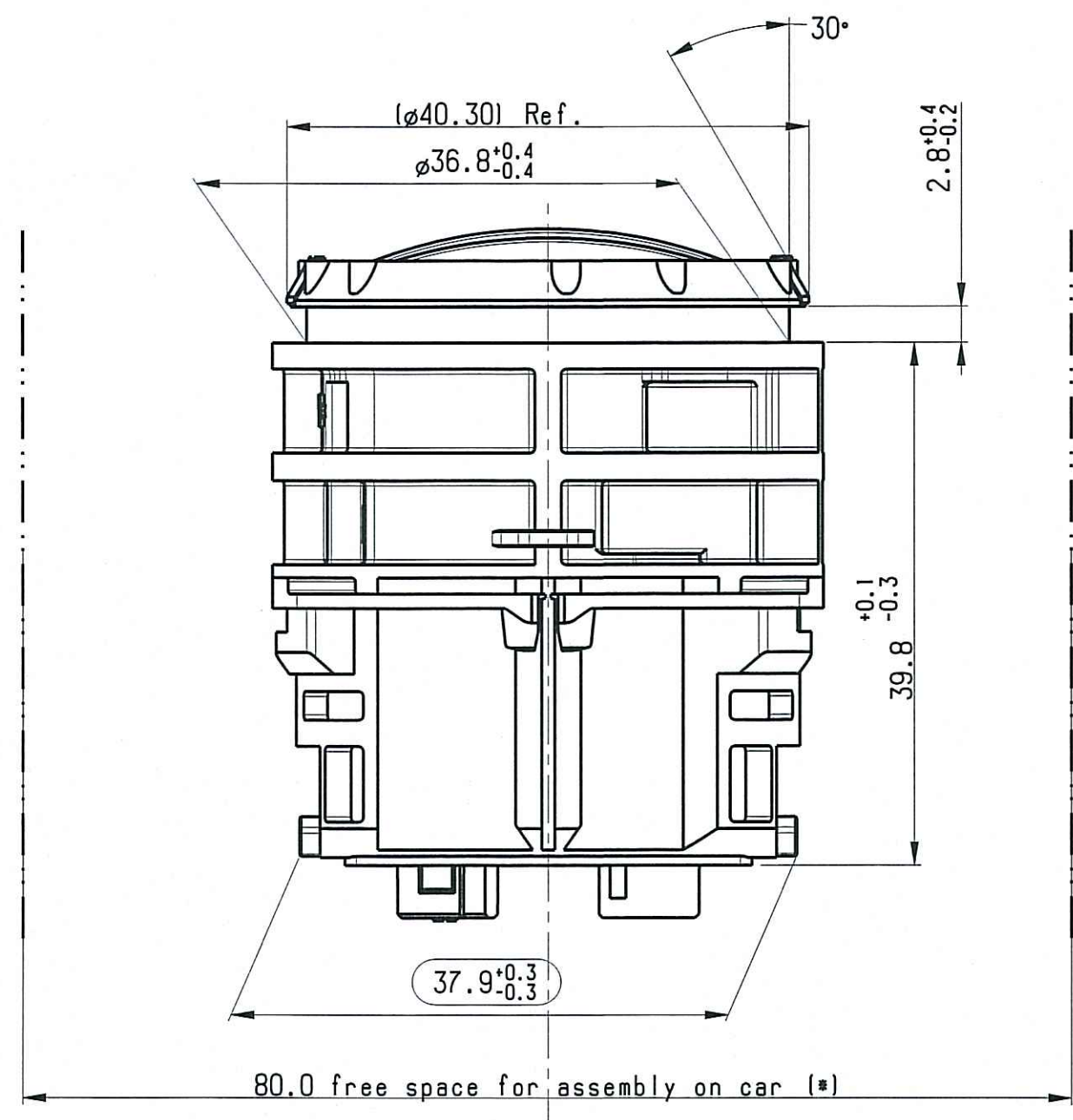
Detail: Free area on the back of Male Holder



○ CAPABILITY  
 Cavity 1.5 in accordance with STE9628905099  
 Cavity 2.8 in accordance with STE9628905099

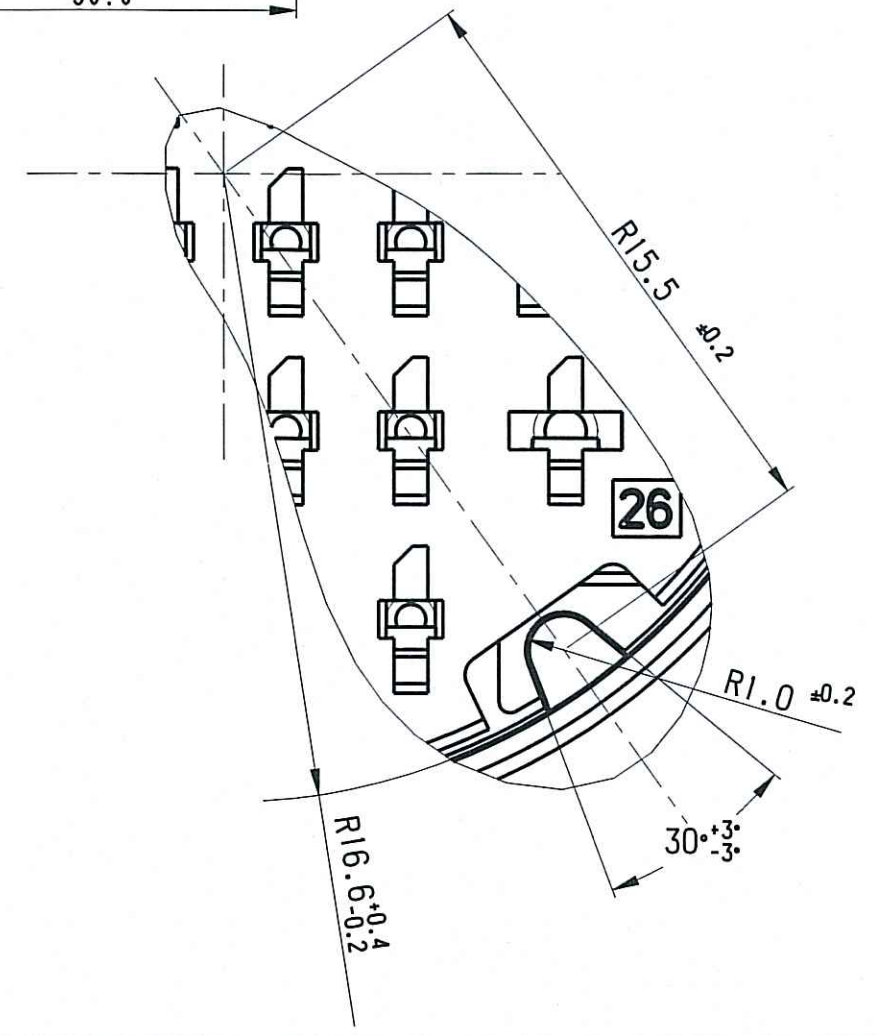
□ Clearance Area for External Gasket, after mating Male and Female Holder.  
 - For use and mating operation : see spec. PU01734V

**STRICTLY CONFIDENTIAL**



(\* For information

Note: Minimum external diameter authorized of wire :  
 for 1.5 terminal = 1.40 mm. for 2.8 terminal = 1.75 mm

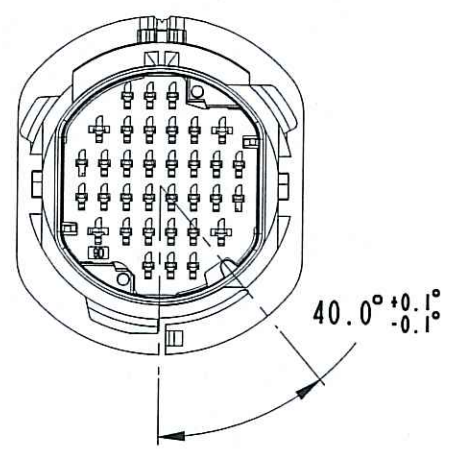
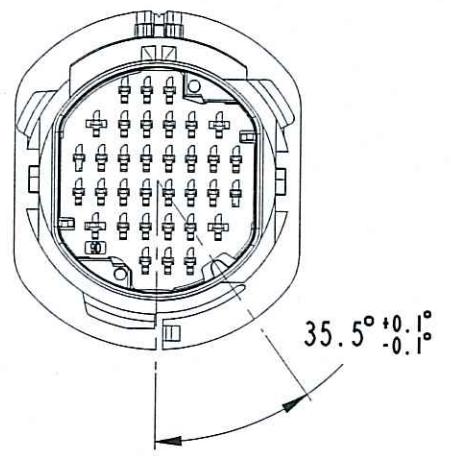


DETAIL X  
 SCALE 5:1

03/11	10/02/11	09	-	ADDED DETAIL OF FIXING DEVICE (SHEET 2/2)	DXT	MYC
ECN-NO. NUMERO-ECN	DATE DATA	REVISION REVISIONE	POSITION POSIZIONE	CHANGE DESCRIPTION DESCRIZIONE MODIFICA	DRAWN BY DISSEGNA	APPR. BY APPROVATO
PRODUCT SPEC. SPEC. DI PRODOTTO	PACKAGING SPEC. SPEC. DI IMBALLAGGIO	APPLICATION SPEC. SPEC. DI APPLICAZIONE	THIS DRAWING AND ALL OTHER INFORMATION CONTAINED THEREIN IS PROPRIETARY AND THE PROPERTY OF FCI. This drawing may not be copied, reproduced or disclosed to any third party without the expressed written permission of FCI. QUESTO DISEGNO ED OGNI ALTRA INFORMAZIONE IN ESSO CONTENUTA SONO ESCLUSIVAMENTE DI PROPRIETA' DELLA FCI. Questo disegno non puo' essere copiato, riprodotto o divulgato a terzi senza l'espresso consenso scritto della FCI. © FCI April 1999			
TOLERANCES TOLLERANZE	± 0.1 mm, 1 ± 0.5	MATERIAL MATERIALE	see note	SURFACE FINISH FINITURA SUPERFICIALE	CAD SYSTEM	
COUNTERPART No. CONTROPARTE Nr.	COLOUR COLORE	see note				ISO PROJECTION PROIEZIONE ISO
DO NOT SCALE DRAWING DISEGNO FUORI SCALA	TOOL NO.	LOC. CODE NAZIONALITA'	IT	FCI		
DRAWN BY DISSEGNA	DATE DATA	NAME NOME	TITLE DESCRIZIONE	DRAWING NUMBER NUMERO DI SEGNO	pre / eng. DWG SIZE FORMATO A2	
CHECKED BY CONTROLLATO	18/4/01	F. Girard	DOOR TO BODY 34 WAYS ASSY MALE HOLDER	FSD 309253	SHEET FOGLIO	
APPROVED BY APPROVATO	18/4/01	P. Biggilio	ESR NO. NUMERO ESR	FRA 713	CAT. NO. NUMERO CAT.	see sheet 2/2
				FILE NAME NOME FILE	FSD309253	
				SCALE SCALA	1:1	



BODY	211PLPA34BKDB	PA6 30 GF	BLACK	
	211PLPA34GYDB	PA6 30 GF	GREY	
GROMMET STOP	211PLPE34BKDB	PBT NATURAL	BLACK	34 WAYS
	211PLPE1040RGDB	PBT NATURAL	ORANGE	14 WAYS
	211PLPE184BNGDB	PBT NATURAL	BROWN	22 WAYS
GROMMET	211PLSY34RDGR	SYLICON RUBBER	RED	
SEC. LOCK FRONT	211PLPE34YESLFB	PBT 10 GF	YELLOW	
SEC. LOCK REAR	211PLPE34YESLRB	PBT 10 GF	YELLOW	
<b>DESCRIPTION</b>	<b>PART NUMBER</b>	<b>MATERIAL</b>	<b>COLOUR</b>	



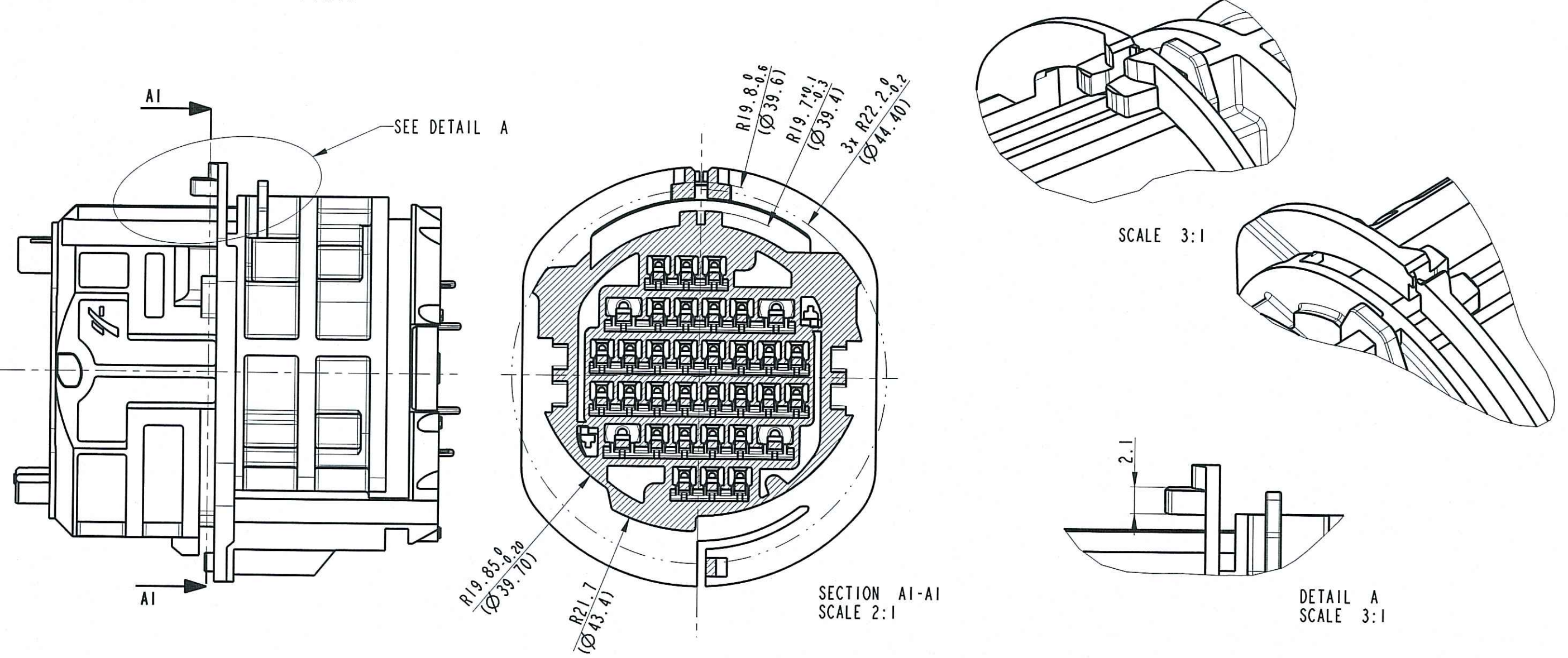
BLACK

GREY

34 WAYS	211 PL 34 9 S 0 033	211 PL 34 9 S 8 033
14 WAYS	211 PL 34 9 S 0 034	211 PL 34 9 S 8 034
22 WAYS	211 PL 34 9 S 0 035	211 PL 34 9 S 8 035

	34 WAYS	14 WAYS	22 WAYS
CAVITIES OPEN	ALL CAVITIES	3. 4. 5. 8. 9. 10. 17. 18 25. 26. 27. 30. 31. 32	1. 2. 3. 4. 5. 8. 9. 10. 11 16. 17. 18. 19. 24. 25. 26 27. 30. 31. 32. 33. 34

**FIXING DEVICE TO METAL PART**



- ALVEOLE SUIVANT STE 9630196299
- POSITION ALVEOLE SUIVANT STE 9638439099
- CONDITIONNEMENT SUIVANT NORME E7303150G
- MASS DU PRODUIT LIVRABLE =45 gr.
- PRODUCT IN ACCORDANCE WITH 9638438999

CONNETIQUE SICMA

**STRICTLY CONFIDENTIAL**

03/11	10/02/11	09	ADDED DETAIL OF FIXING DEVICE (SHEET 2/2)	
ECN-NO. DATA	DATE DD/MM/YY	REVISION POSITION	CHANGE DESCRIPTION DESCRIZIONE MODIFICA	DRAWN BY (CHK. BY) APPR. BY (VISEUR) (CONTROLLATO) (APPROVATO)
see note		see note		
<p>THIS DRAWING AND ALL OTHER INFORMATION CONTAINED THEREIN IS PROPRIETARY AND THE PROPERTY OF FCI. This drawing may not be copied, reproduced or disclosed to any third party without the expressed written permission of FCI. © FCI April 1999</p> <p>QUESTO DISEGNO ED OGNI ALTRA INFORMAZIONE IN ESSO CONTENUTA SONO ESCLUSIVI E DI PROPRIETA' DELLA FCI. Questo disegno non puo' essere copiato, riprodotto o divulgato a terzi senza l'espresso consenso scritto della FCI. © FCI April 1999</p>				
TOLERANCES ± 0.1 mm / ± 0.5	MATERIAL : see note	SURFACE FINISH FINITURA SUPERFICIALE		CAD SYSTEM pro / eng.
DO NOT SCALE DRAWING DISEGNO FUORI SCALA	TOOL NO.	LOC. CODE NAZIONALITA' F	FCI	
DRAWN BY DATE NAME 18/4/01 F.Girard	TITLE DESCRIZIONE	DRAWING NUMBER NUMERO DISEGNO	ISO PROJECTION PROIEZIONE ISO DIMENSIONI IN MILLIMETERS DIMENSIONI IN MILLIMETRI	
CHECKED BY CONTROLLO 18/4/01 PC.Bigello	DOOR TO BODY 34 WAYS ASSY MALE HOLDER	FSD 309253	DWG FILE FORMAT A2 SHEET FOLIO 2 of 2	
APPROVED BY APPROVATO	ESR NO. NUMERO ESR FRA 713	CAT. NO. NUMERO CAT. see table	FILE NAME NUMERO FILE FSD309253	SCALE 1:1



## X-ON Electronics

Largest Supplier of Electrical and Electronic Components

*Click to view similar products for [Automotive Connectors](#) category:*

*Click to view products by [APTIV](#) manufacturer:*

Other Similar products are found below :

[003-018-000](#) [60403001](#) [60993906-B](#) [629515004020001](#) [M902-2131](#) [M902-2161](#) [72.330.1035.1](#) [73.353.4028.0](#) [F119300-B](#) [F166900](#)  
[F258300-B](#) [F358300-B](#) [F407400](#) [F444110](#) [F487000](#) [F509500B-B](#) [827153-1](#) [8N1515-32-24P](#) [9-1326729-8](#) [925474-1](#) [928905-1](#) [964562-4](#)  
[968782-1](#) [GT17SA-8DS-HU](#) [98891-1012](#) [98947-1016](#) [12004475-L](#) [12010290](#) [12010309-B](#) [12015454](#) [12020219-B](#) [12020308](#) [12041318-B](#)  
[12052225-L](#) [12052466](#) [12059125](#) [12064869](#) [12004327-B](#) [12010503-B](#) [12015308](#) [12015384](#) [12015909](#) [1-21030-1](#) [12041254](#) [12041318](#)  
[12047946-B](#) [12047957](#) [12047957-L](#) [12059473](#) [12066261](#)