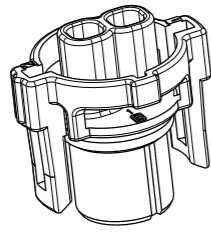
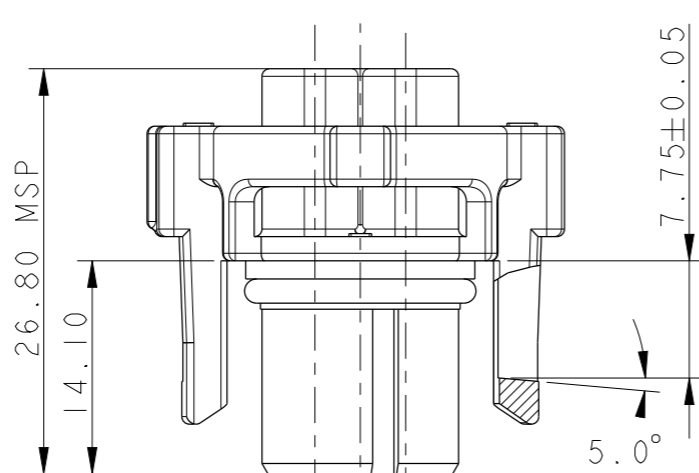
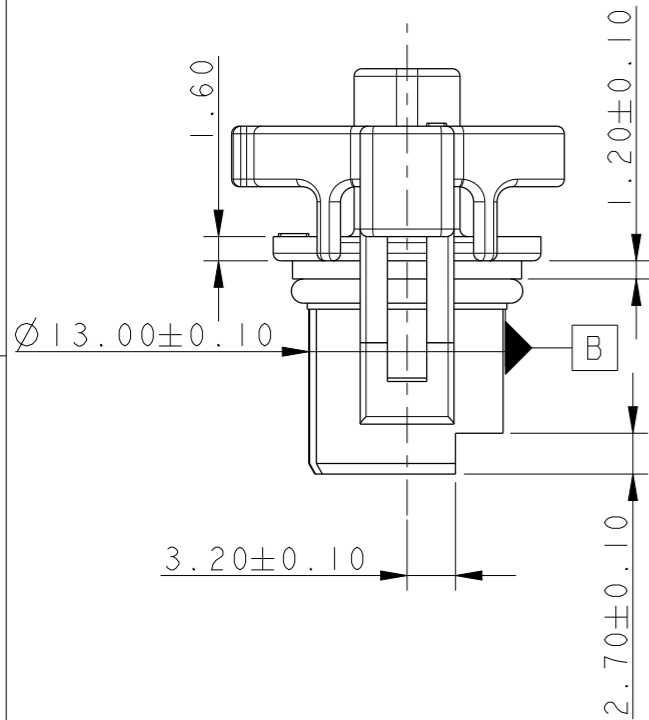
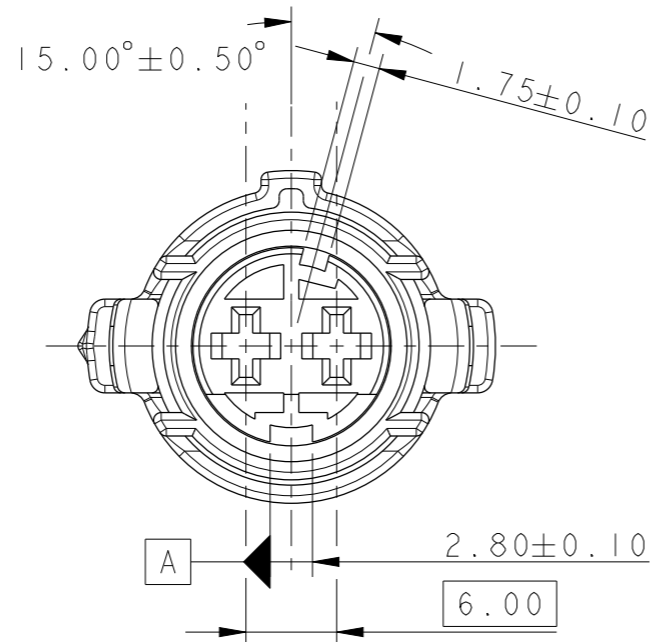


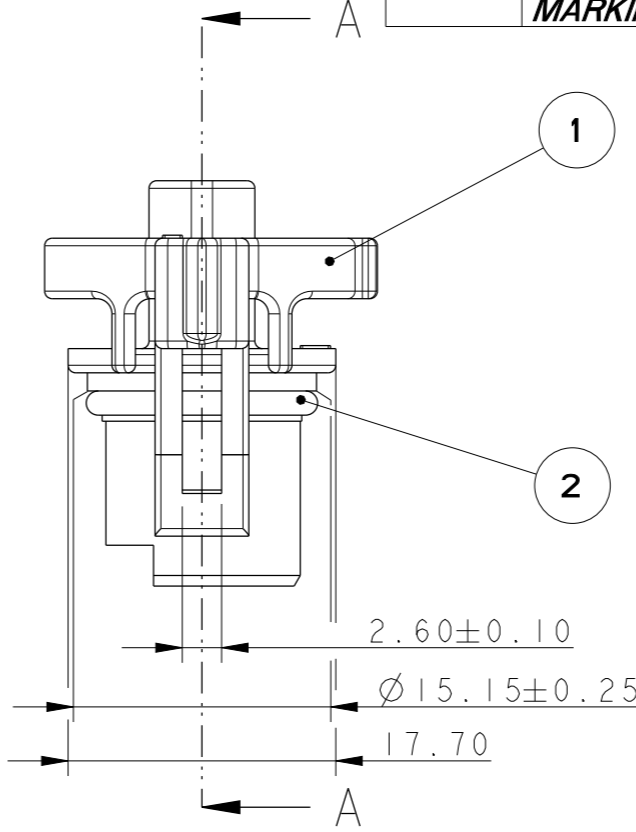
ECHELLE 1:1
SCALE 1:1



ECHELLE 1:1
SCALE 1:1



COUPE A-A
SECTION A-A



NOTA : RAYONS NON R:0.5 mini
NOTE : NON DIMENSIONED ROUND R:0.5 mini

2	O-RING 12.1 x 1.6	1
1	2 WAY FEMALE HOUSING 2.8 x 0.8 DCS JUF	1
REP. ITEM	Designation Description	Quantite Quantity

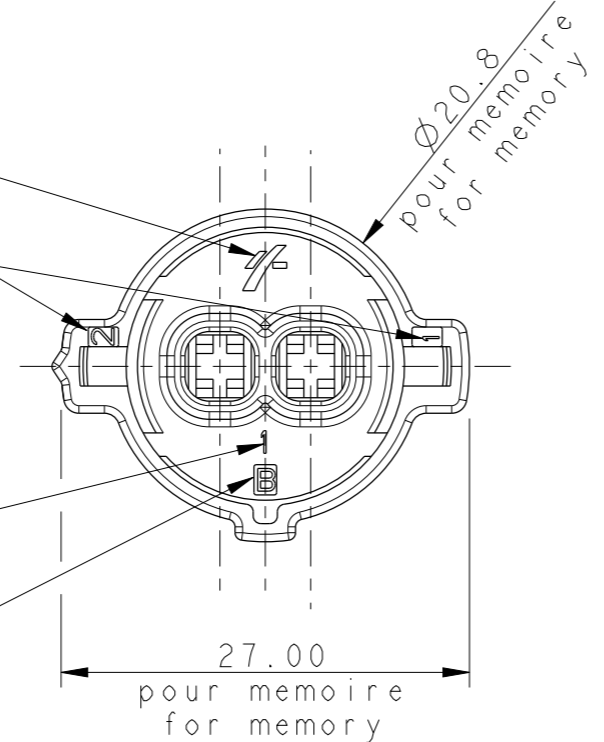
MVL	REFERENCE PART NUMBER	240 PC 02 3 S 8 008
	MARQUAGE INDICE PIECE MARKING LEVEL PART	B
DELPHI	REFERENCE PART NUMBER	10762604
	MARQUAGE INDICE PIECE MARKING LEVEL PART	01

SIGLE MVL
MVL LOGO

REPERES VOIES
WAYS MARKS

REPERE EMPREINTE
MOLD MARK

INDICE PIECE
PART INDEX



ECN-NO. NUMERO ECN	POSITION POSITION	CHANGE DESCRIPTION MODIFICATION	
PRODUCT SPEC. SPECIF. PRODUIT	PACKAGING SPEC. SPECIF. EMBALLAGE	APPLICATION SPEC. SPECIF. APPLICATION	COPYRIGHT DELPHI CORPORATION AND/OR ITS AFFILIATES. ALL RIGHTS RESERVED. REVISED THIS DRAWING IS THE PROPERTY OF DELPHI CORPORATION AND CONTAINS DELPHI CONFIDENTIAL INFORMATION. THE REPRODUCTION, DISTRIBUTION AND UTILIZATION OF THIS DOCUMENT OR ITS RELATED CAD MATH DATA, AS WELL AS COMMUNICATION OF ANY CONTENT TO OTHERS, WITHOUT EXPRESS AUTHORIZATION, IS PROHIBITED.
TOLERANCES TOLERANCES	±0.2 ±2°	MATERIAL : MATIERE : VOIR TABLEAU n	SURFACE FINISH ETAT DE SURFACE -
COUNTERPART No. CONTRE-PARTIE N°	-	COLOUR : COULEUR : SEE TABLE	n
DO NOT MEASURE DRAWING NE PAS PRENDRE DE COTES	TOOL NO. OUTIL N°	ECO Loc. Code CODE B.E.	FE
CREATED BY CREE PAR	DATE DATE	NAME NOM	TITLE DESIGNATION
1997-07-16		MULOT	2 WAY FEMALE HOUSING 2.8 x 0.8 DCS1 SWS
MODIFIED BY MODIF. PAR	2013/07/10	F FAURIE	PROJECT PROJET
CHECKED BY VERIF. PAR	2013/07/15	S LACOTE	LVE MERITOR ENGINE
APPROVED BY APPR. PAR	2013/07/15	L ETIFIER	ESR NO. NUMERO ESR FRA-1085
FILE NAME NOM DE FICHIER	240FT0048	CAT. NO. NUMERO CAT. 240 FT 0048	DOCUMENT UNDER PDS CONTROL DOCUMENT GERE SOUS P.D.S. NO MODIFICATION ALLOWED OUTSIDE PAS DE MODIFICATION EN DEHORS

DELPHI
DELPHI PACKARD ELECTRICAL/ELECTRONIC ARCHITECTURE
EPERNON, FRANCE

C

ISO PROJECTION
PROJECTION ISO

DIMENSION IN MILLIMETERS
DIMENSIONS EN MILLIMETRES

CAD SYSTEM
pro / eng.

DRAWING NUMBER REF. PLAN	REV. IND.	APPROVAL LEVEL NIV. D'APPROBATION
240FT0048	D	-
STATE ETAT	REV. IND.	SHEET FEUILLE
SERIAL RELEASED		1 of 1 sur
PART NUMBER REF. ARTICLE	REV. IND.	SCALE ECH.
240PC023S8008	B	2:1

X-ON Electronics

Largest Supplier of Electrical and Electronic Components

Click to view similar products for [Automotive Connectors](#) category:

Click to view products by [APTIV](#) manufacturer:

Other Similar products are found below :

[003-018-000](#) [60403001](#) [60993906-B](#) [629515004020001](#) [M902-2131](#) [M902-2161](#) [72.330.1035.1](#) [73.353.4028.0](#) [F119300-B](#) [F166900](#)
[F258300-B](#) [F358300-B](#) [F407400](#) [F444110](#) [F487000](#) [F509500B-B](#) [827153-1](#) [8N1515-32-24P](#) [9-1326729-8](#) [925474-1](#) [928905-1](#) [964562-4](#)
[968782-1](#) [GT17SA-8DS-HU](#) [98891-1012](#) [98947-1016](#) [12004475-L](#) [12010290](#) [12010309-B](#) [12015454](#) [12020219-B](#) [12020308](#) [12041318-B](#)
[12052225-L](#) [12052466](#) [12059125](#) [12064869](#) [12004327-B](#) [12010503-B](#) [12015308](#) [12015384](#) [12015909](#) [1-21030-1](#) [12041254](#) [12041318](#)
[12047946-B](#) [12047957](#) [12047957-L](#) [12059473](#) [12066261](#)