

NOTA / NOTES

CONNECTEUR DOIT ETRE CONFORME AU CDC :
-SPECIFICATION INTERNE I 0045
-STE 96 488 121 99

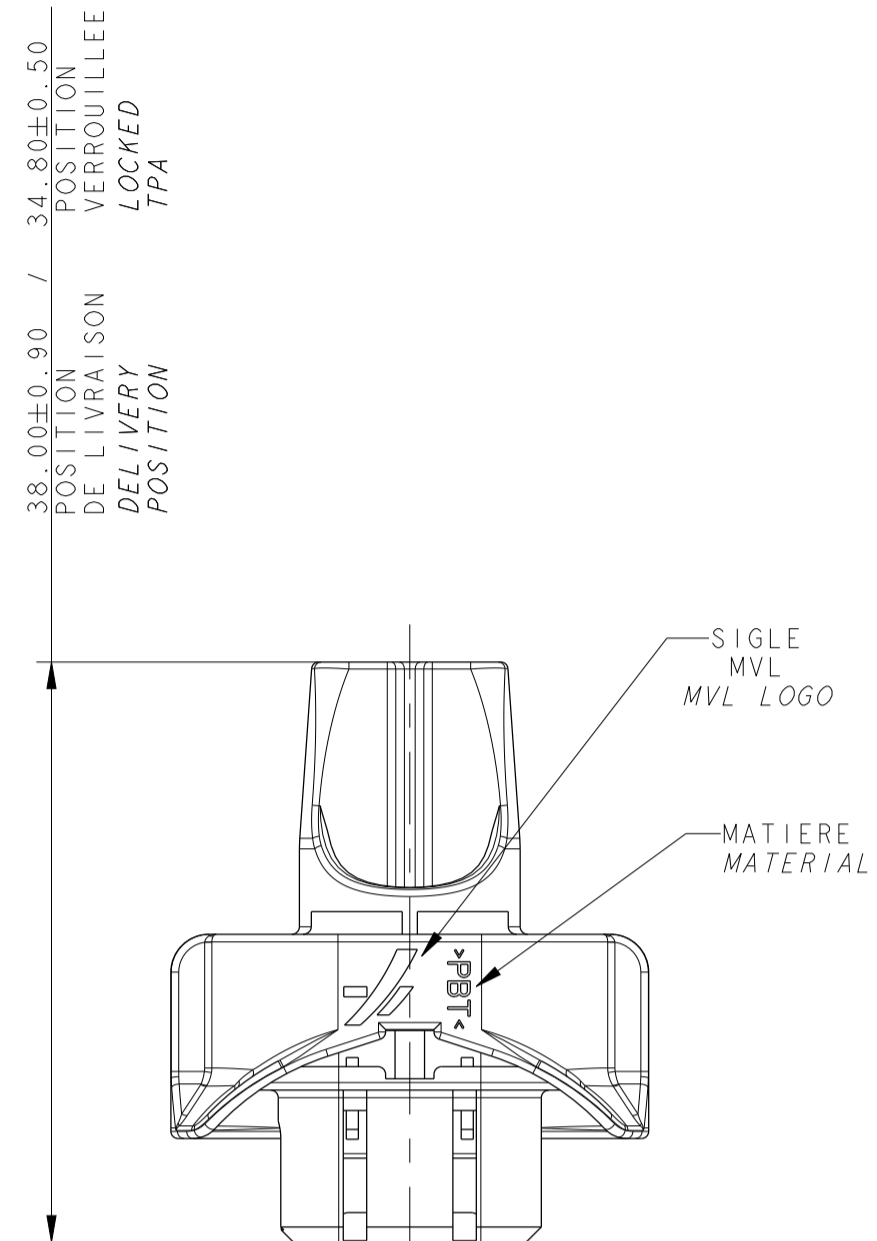
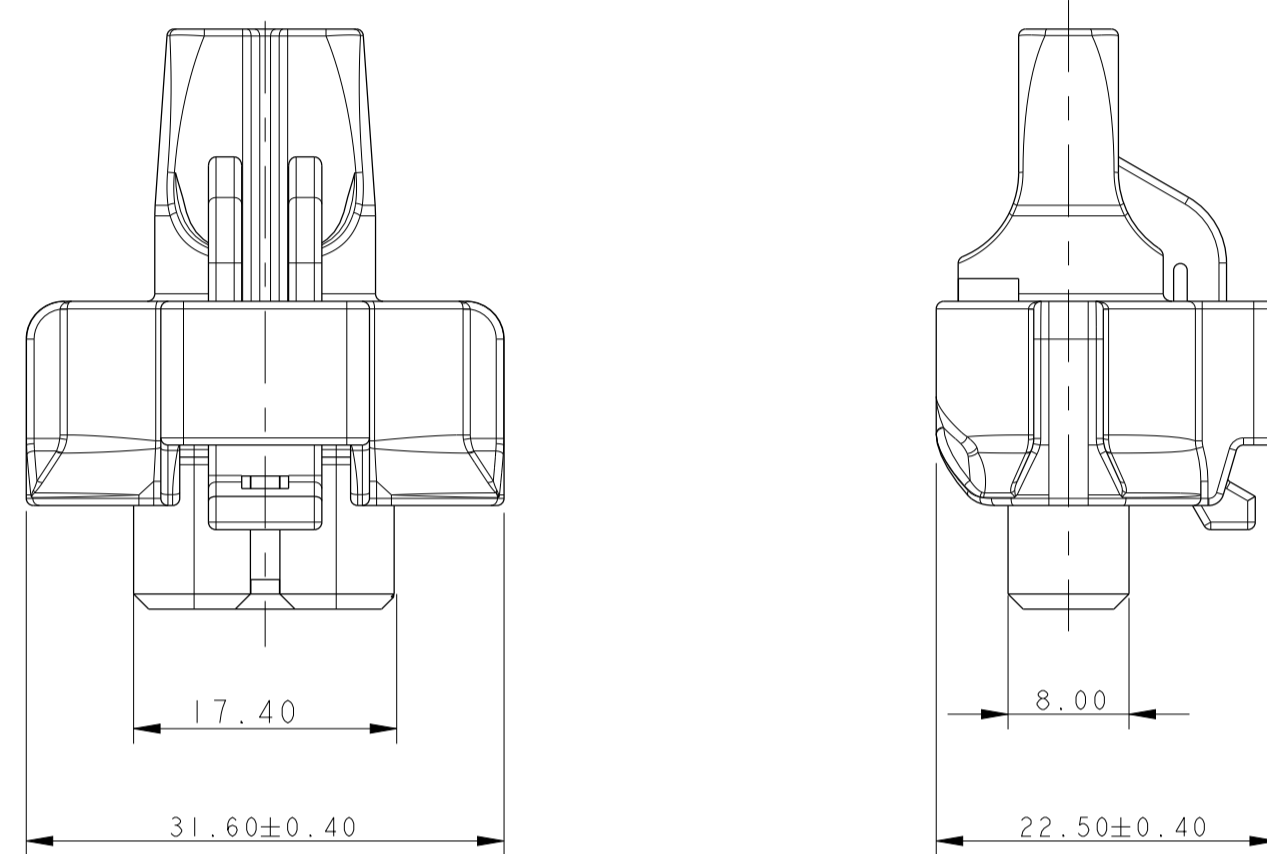
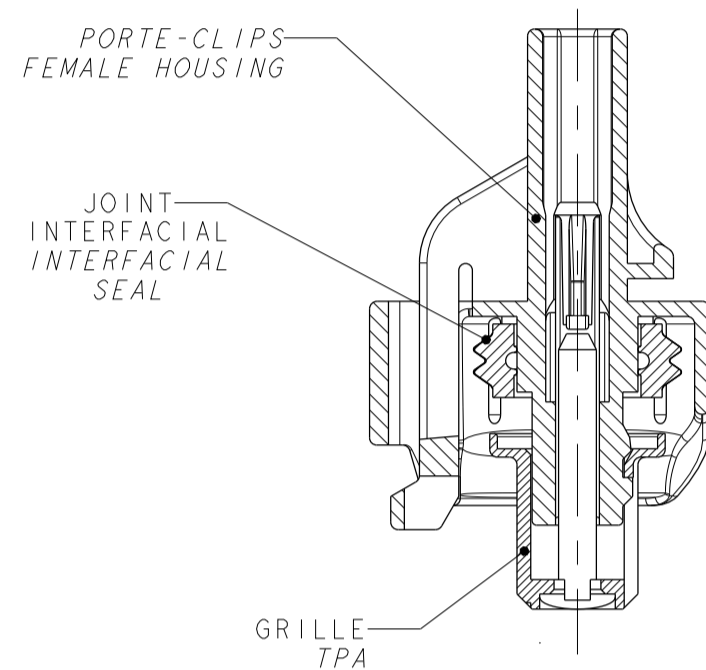
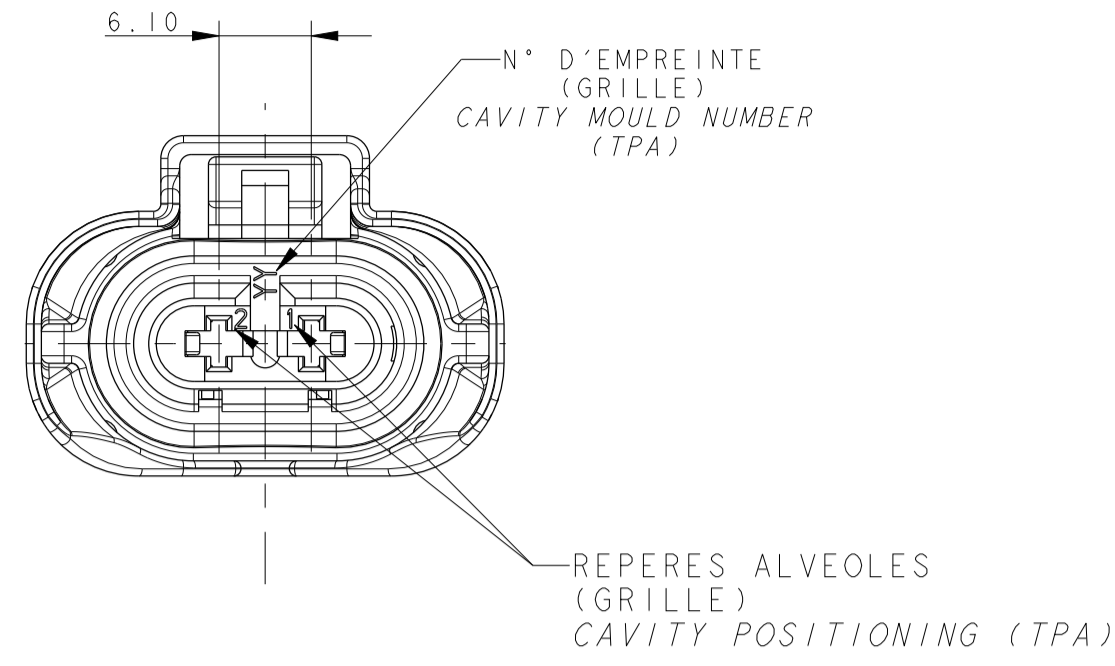
FEMALE CONNECTOR ACCORDING TO SPECIFICATION PSA:
-SPECIFICATION INTERNE I 0045
-STE 96 488 121 99

INTERFACE SUIVANT IEC 60061-1 FEUILLES 7004-110-1
INTERFACE ACCORDING TO IEC 60061-1 SHEETS 7004-110-1

DOSSIER DE PRECONISATION N°PU 022
USER MANUAL N°PU 022

CONDITIONNEMENT SUIVANT NORME E 7 303 150 G
PACKAGING ACCORDING TO STANDARD E 7 303 150 G

MASSE DU PRODUIT LIVRABLE : 6g
DELIVERY CONNECTOR WEIGHT: 6g

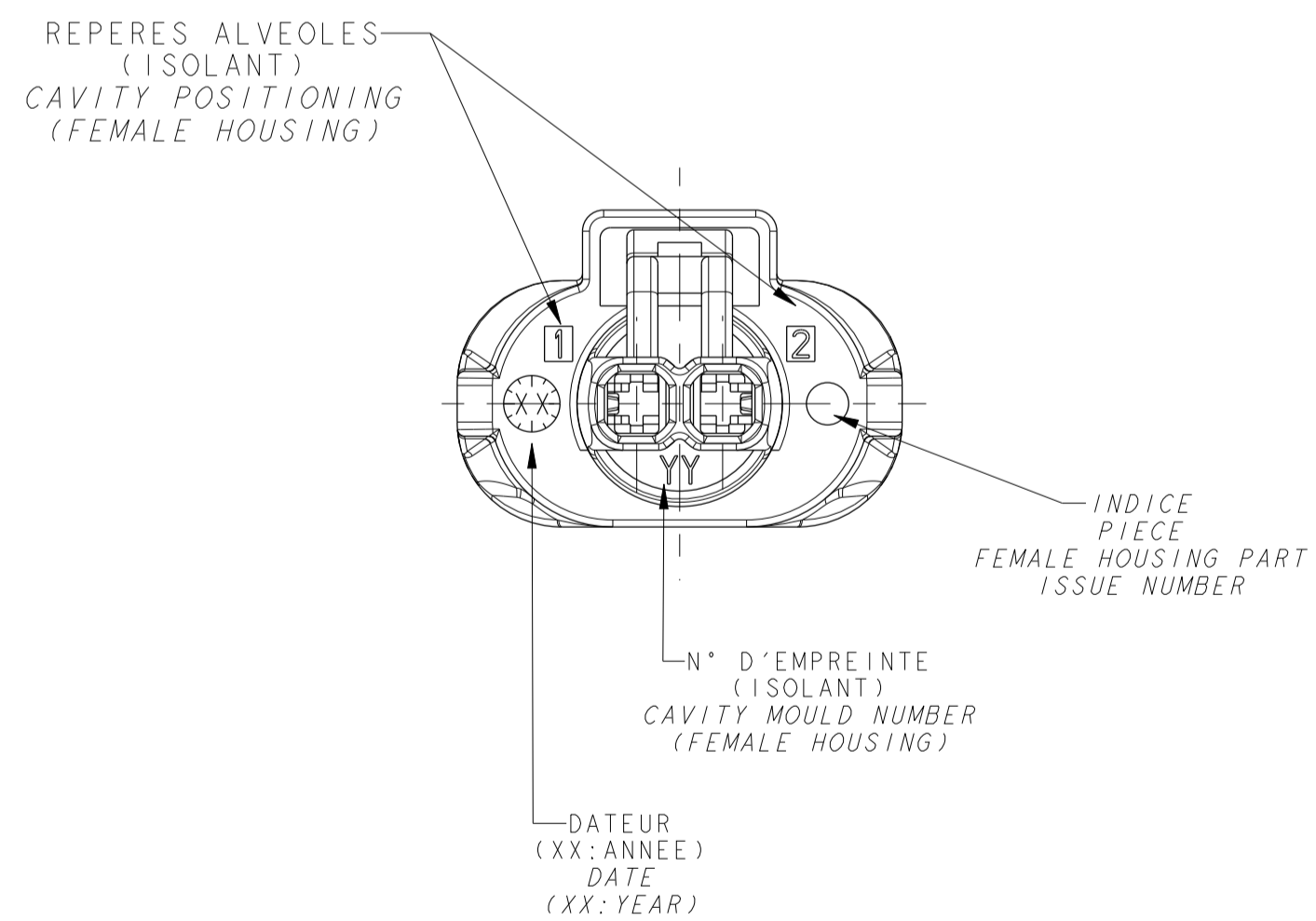
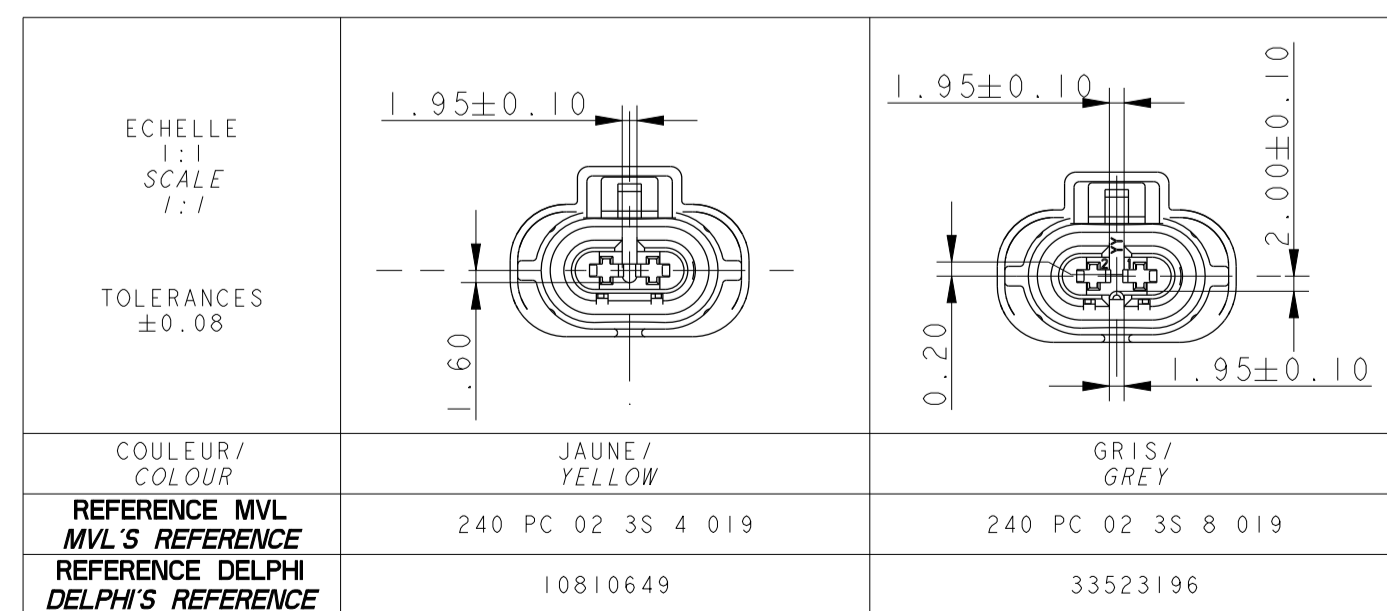


**CONTACTS DCS-1
FEMALE TERMINAL DCS-1**

CLIPS DCS 1 / CONTACTS DCS 1				
CLIP DCS1 2.8x0.8 SECTION 0.50-1.00 mm ² FEMALE TERMINAL DCS-1 2.8x0.8 SECTION 0.50-1.00 mm ²	CuSn	Sn	6 001 05 31	12198447
CLIP DCS1 2.8x0.8 SECTION > 1.00-2.50 mm ² FEMALE TERMINAL DCS-1 2.8x0.8 SECTION > 1.00-2.50 mm ²	CuSn	Sn	6 001 05 41	12198436
JOINT UNITAIRE SUR FIL POUR DCS 1 SINGLE WIRE SEAL (SWS) DCS1				
BOUCHON CAVITY PLUG	SILICONE	BLANC/ WHITE	211 M 0013	15340264
JOINT UNITAIRE SUR FIL Ø ISOLANT FIL 1.28-1.90 SINGLE WIRE SEAL (SWS) Ø INSULATION WIRE 1.28-1.90	SILICONE	ROUGE/ RED	211 M 0009	15327786
JOINT UNITAIRE SUR FIL Ø ISOLANT FIL 1.99-3.00 SINGLE WIRE SEAL (SWS) Ø INSULATION WIRE 1.99-3.00	SILICONE	BLEU/ BLUE	211 M 0010	10757056
DESIGNATION DESCRIPTION	MATIERE/ MATERIAL	COULEUR/ COLOUR	REFERENCE MVL/ MVL'S REFERENCE	REFERENCE DELPHI/ DELPHI'S REFERENCE

**CONTACTS DCS-2
FEMALE TERMINAL DCS-2**

CLIPS DCS 2 / CONTACTS DCS 2				
CLIP DCS2 2.8x0.8 SECTION 0.22-0.35 mm ² FEMALE TERMINAL DCS-2 2.8x0.8 SECTION 0.22-0.35 mm ²	CuSn/CrNi	Sn	6 001 29 11	10811334
CLIP DCS2 2.8x0.8 SECTION 0.50-1.00 mm ² FEMALE TERMINAL DCS-2 2.8x0.8 SECTION 0.50-1.00 mm ²	CuSn/CrNi	Sn	6 001 29 31	10789065
CLIP DCS2 2.8x0.8 SECTION 1.00-2.50 mm ² FEMALE TERMINAL DCS-2 2.8x0.8 SECTION 1.00-2.50 mm ²	CuSn/CrNi	Sn	6 001 29 41	10779097
JOINT UNITAIRE SUR FIL POUR DCS 2 SINGLE WIRE SEAL (SWS) DCS2				
BOUCHON CAP	SILICONE	VERT GREEN	6 099 40 07	10779160
JOINT UNITAIRE SUR FIL Ø ISOLANT FIL 1.20-2.00 SINGLE WIRE SEAL (SWS) Ø INSULATION WIRE 1.20-2.00	SILICONE	BLEU BLUE	6 099 40 15	10779162
JOINT UNITAIRE SUR FIL Ø ISOLANT FIL 2.00-2.70 SINGLE WIRE SEAL (SWS) Ø INSULATION WIRE 2.00-2.70	SILICONE	ROUGE RED	6 099 40 23	10779159
JOINT UNITAIRE SUR FIL Ø ISOLANT FIL 2.70-2.90 SINGLE WIRE SEAL (SWS) Ø INSULATION WIRE 2.70-2.90	SILICONE	JAUNE YELLOW	6 099 40 34	10779161
DESIGNATION DESCRIPTION	MATIERE/ MATERIAL	COULEUR/ COLOUR	REFERENCE MVL/ MVL'S REFERENCE	REFERENCE DELPHI/ DELPHI'S REFERENCE



PORTE-CLIPS FEMALE HOUSING	PBT 0X FV PBT 0X GF	NOIR/ BLACK	240 I 0 013
GRILLE TPA	PBT 30% FV PBT 30% GF	JAUNE/ YELLOW	240 M 4 031
JOINT INTERFACIAL INTERFACIAL SEAL	SILICONE	GRIS/ GREY	240 M 8 031
DESIGNATION DESCRIPTION	MATIERE/ MATERIAL	COULEUR/ COLOUR	REFERENCE MVL/ MVL'S REFERENCE

ECN-NO. NUMBER ECN	POSITION	CHANGE DESCRIPTION MODIFICATION
PROJECT SPEC. SPECIF. PRODUIT	PACKAGING SPEC. SPECIF. EMBALLAGE	APPLICATION SPEC. SPECIF. APPLICATION
<p>DELPHI P/N ADDED</p> <p>UPDATE ACCORDING TO DM N° 03017 : 16 CAVITIES GRID MOULD + AUTO ASSY PROCESS</p> <p>ADD TRANSLATE ENGLISH</p> <p>MODIFICATION FEMALE HOUSING</p> <p>CHANGE INTERFACIAL SEAL</p> <p>DM 05-101C</p>		
<p>RIGHTS RESERVED. REVISED</p> <p>DELPHI CORPORATION AND/OR ITS AFFILIATES. ALL RIGHTS RESERVED. REVISED</p> <p>DELPHI CORPORATION AND/OR ITS AFFILIATES. ALL RIGHTS RESERVED. REVISED</p> <p>DELPHI CORPORATION AND/OR ITS AFFILIATES. ALL RIGHTS RESERVED. REVISED</p>		
TOLERANCES	±0.1	±2*
CONTRIBUTOR	DELPHI	DELPHI
DATE	DATE	DATE
NAME	NAME	NAME
TITLE	TITLE	TITLE
DESIGNATION	DESIGNATION	DESIGNATION
<p>2 VOIES DCS2 28 x 08</p> <p>PGJ 19 LAMP CONNECTOR</p>		
DRAWING NUMBER	240FT0101	
REF. PLAN		
STATE	STATE	STATE
PART NUMBER	PART NUMBER	PART NUMBER
REV.	REV.	REV.
IND.	IND.	IND.
SCALE	SCALE	SCALE
SEE TABLE	SEE TABLE	SEE TABLE

X-ON Electronics

Largest Supplier of Electrical and Electronic Components

Click to view similar products for [Automotive Connectors](#) category:

Click to view products by [APTIV](#) manufacturer:

Other Similar products are found below :

[003-018-000](#) [60403001](#) [60993906-B](#) [629515004020001](#) [M902-2131](#) [M902-2161](#) [72.330.1035.1](#) [73.353.4028.0](#) [F119300-B](#) [F166900](#)
[F258300-B](#) [F358300-B](#) [F407400](#) [F444110](#) [F487000](#) [F509500B-B](#) [827153-1](#) [8N1515-32-24P](#) [9-1326729-8](#) [925474-1](#) [928905-1](#) [964562-4](#)
[968782-1](#) [GT17SA-8DS-HU](#) [98891-1012](#) [98947-1016](#) [12004475-L](#) [12010290](#) [12010309-B](#) [12015454](#) [12020219-B](#) [12020308](#) [12041318-B](#)
[12052225-L](#) [12052466](#) [12059125](#) [12064869](#) [12004327-B](#) [12010503-B](#) [12015308](#) [12015384](#) [12015909](#) [1-21030-1](#) [12041254](#) [12041318](#)
[12047946-B](#) [12047957](#) [12047957-L](#) [12059473](#) [12066261](#)