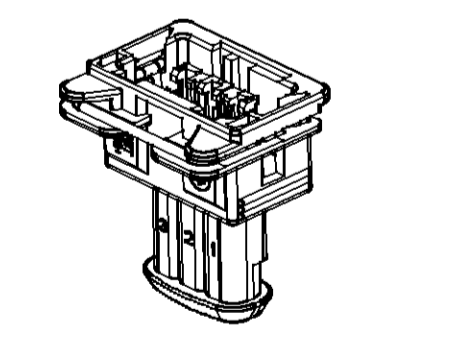


1	PORTE-CLIPS FEMALE HOUSING	240 I 9 005	PBT 30% FV	BLANC WHITE
		240 I 8 005		GRIS GREY
		240 I 6 005		BLEU BLUE
		240 I 5 005		VERT GREEN
		240 I 1 005		HARRON BROWN
240 I 0 005	NOIR BLACK			
2	GRILLE GRID	240 M 7 002	PBT 0% FV	VIOLET PURPLE
3	JOINT FLAT FLAT SEAL	240 X 0004	SILICONE DURETE 30 Sh ±5	ROUGE RED
4	RESSORT SPRING	240 X 0006	Z 12 CN 18	/
REP.	DESIGNATION DESCRIPTION	REF. FCI FCI'S REF.	MATIERE MATERIAL	COULEUR COLOUR

NOTA SPECIFICATION
 1 MASSE DU PRODUIT LIVRABLE: 7g DELIVERY CONNECTOR WEIGHT: 7g

						VUE F VIEW F TOLERANCE ±0/-0.10
NOIR BLACK	HARRON BROWN	VERT GREEN	BLEU BLUE	GRIS GREY	BLANC WHITE	COULEUR COLOUR
240 PC 03 5 0 002	240 PC 03 5 1 002	240 PC 03 5 5 002	240 PC 03 5 6 002	240 PC 03 5 8 002	240 PC 03 5 9 002	REF. FCI FCI'S REF.
96 238 897 80	96 238 898 80	96 238 899 80	96 238 900 80	96 238 901 80	96 238 902 80	REF. PSA PSA'S REF.



ECHELLE 1:1 SCALE 1:1
 CODAGE BLANC REPRESENTE WHITE CODING DRAW

A 97 050	16/12/97	A00	-	-	-	FAURIE	-
A 04 051	18/12/06	A01	-	-	-	JU	-
A 07 004	22/01/07	A02	-	-	-	JU	-
A 07 012	19/03/07	A03	-	-	-	TECHENE	-

CHANGING TOLERANCE
 DR-06-043

REVISIONS

NO	DATE	DESCRIPTION
1	16/12/97	INITIAL DRAWING
2	18/12/06	REVISION 1
3	22/01/07	REVISION 2
4	19/03/07	REVISION 3

DATE: 16/12/97

PROJECT: 240 PC 03 5 0 002

PROCESS: INJECTION

INDICATION: SEE TABLE

SCALE: 1:1

REF: FCI FCI'S REF.

REF: PSA PSA'S REF.

2.8 DCS

3-WAY FEMALE HOUSING

240 FT 0029

FRM-0314

240FT0029

Archivé le 11/06/07

REF: 88565 OK7U7752A

N° PLAN 9623889780 INDICE E PLANDE 001

AUTOMOBILES PEUGEOT AUTOMOBILES CITROEN

PLAN FOURNISSEUR

DATE: 11/06/07

1	A	B	C	D	1
2	NOTA PLANCHE				2
3	K7. 88565-. 73F. 9623889780. E.-. P-CLIP-PLA2-8DCSJO13V.-----				3
4	REPertoire DES NORMES				4
5	PSA B21 7050 STE 9623518499 STE 9623888999				5
6					6
7					7
8					8
9					9
10					10
11					11
12					12
13					13
14					14
15					15
16					16
17					17
18					18
19					19
20					20
21					21
22					22
23					23
24					24
25					25
26					26
27					27


73F	P-CLIP PLAT 2,8 DCS JOINT 3V	9623890280	E 03
A			
BLANC	PC03S9002		
73F	P-CLIP PLAT 2,8 DCS JOINT 3V	9623890180	E 03
A			
GRIS	PC03S8002		
73F	P-CLIP PLAT 2,8 DCS JOINT 3V	9623890080	E 03
A			
BLEU	PC03S6002		
73F	P-CLIP PLAT 2,8 DCS JOINT 3V	9623889980	E 03
A			
VERT	PC03S5002		
73F	P-CLIP PLAT 2,8 DCS JOINT 3V	9623889880	E 03
A			
MARRON	PC03S1002		
73F	P-CLIP PLAT 2,8 DCS JOINT 3V	9623889780	E 04
A			
NOIR	PC03S0002		
DECP	DESIGNATION	NUMERO	PIECE
	N° DE PRODUIT FONCT N° PLAN FONCT		PLAN PIECE
APPROB		ISSU DE:	INDICE
REVARO	N° REFERENCE FOURNISSEUR		
	CODE GRAIN		
SSR:NON PROCEBILITE:NON HRPD:PEL:NON EST: /VISA LABO: / / /			

Archivé le 11/06/07

E 88565 DK7U7752A 30/05/07
 MISE A JOUR PLAN FINR :
 MISE A JOUR TOLERANCE DE 2
 COTES.
 DESS:BERTUZZI DIV/DRE 15/05/07
 DESP:BERTUZZI ALBERT

P-CLIP PLAT 2.8 DCS JOINT 3V

PLAN FOURNISSEUR

N° PLAN	9623889780	INDICE	E	PLANCHE	T01/002	CLIQUE	EDHELLE	1:1
AUTOMOBILES PEUGEOT		AUTOMOBILES CITROEN				FORMAT	A3	

PLAN FOURNISSEUR

X-ON Electronics

Largest Supplier of Electrical and Electronic Components

Click to view similar products for [Automotive Connectors](#) category:

Click to view products by [APTIV](#) manufacturer:

Other Similar products are found below :

[003-018-000](#) [60403001](#) [60993906-B](#) [629515004020001](#) [M902-2131](#) [M902-2161](#) [72.330.1035.1](#) [73.353.4028.0](#) [F119300-B](#) [F166900](#)
[F258300-B](#) [F358300-B](#) [F407400](#) [F444110](#) [F487000](#) [F509500B-B](#) [827153-1](#) [8N1515-32-24P](#) [9-1326729-8](#) [925474-1](#) [928905-1](#) [964562-4](#)
[968782-1](#) [GT17SA-8DS-HU](#) [98891-1012](#) [98947-1016](#) [12004475-L](#) [12010290](#) [12010309-B](#) [12015454](#) [12020219-B](#) [12020308](#) [12041318-B](#)
[12052225-L](#) [12052466](#) [12059125](#) [12064869](#) [12004327-B](#) [12010503-B](#) [12015308](#) [12015384](#) [12015909](#) [1-21030-1](#) [12041254](#) [12041318](#)
[12047946-B](#) [12047957](#) [12047957-L](#) [12059473](#) [12066261](#)