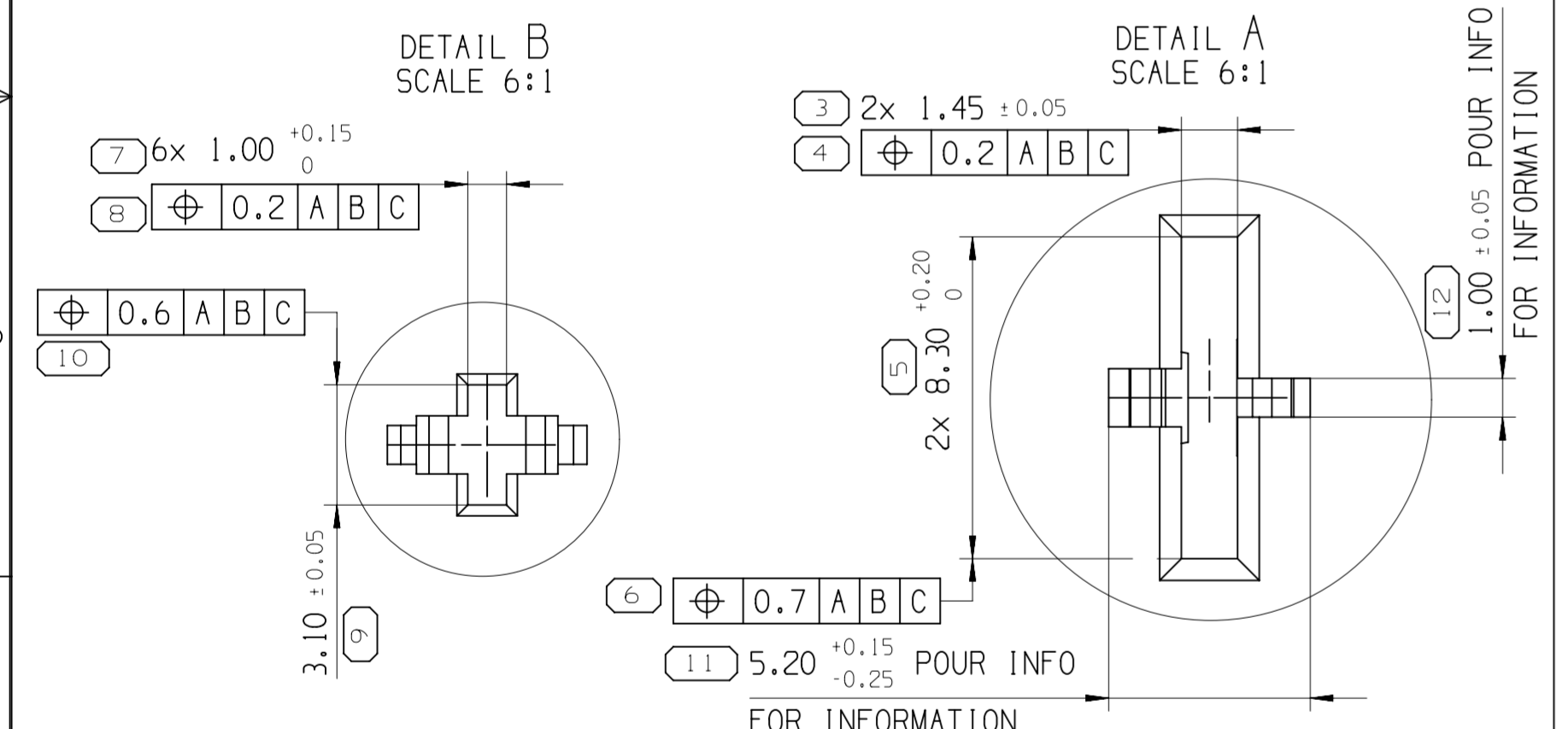
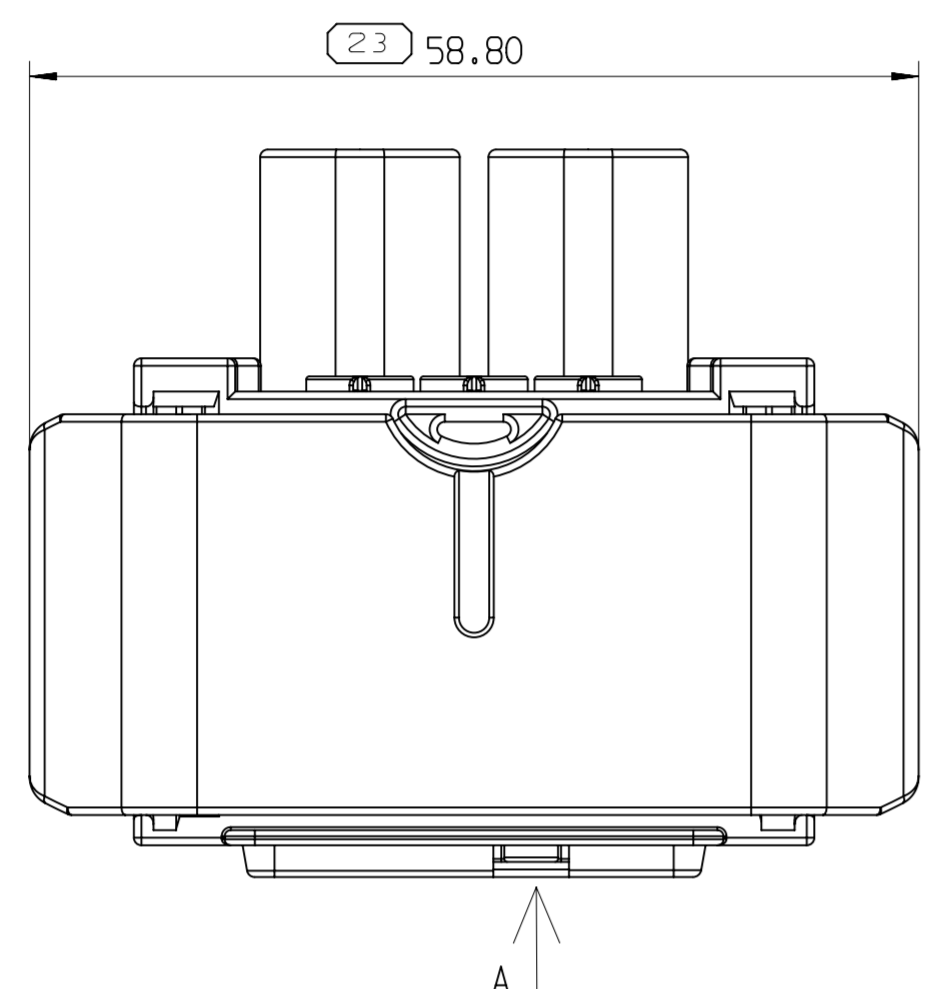
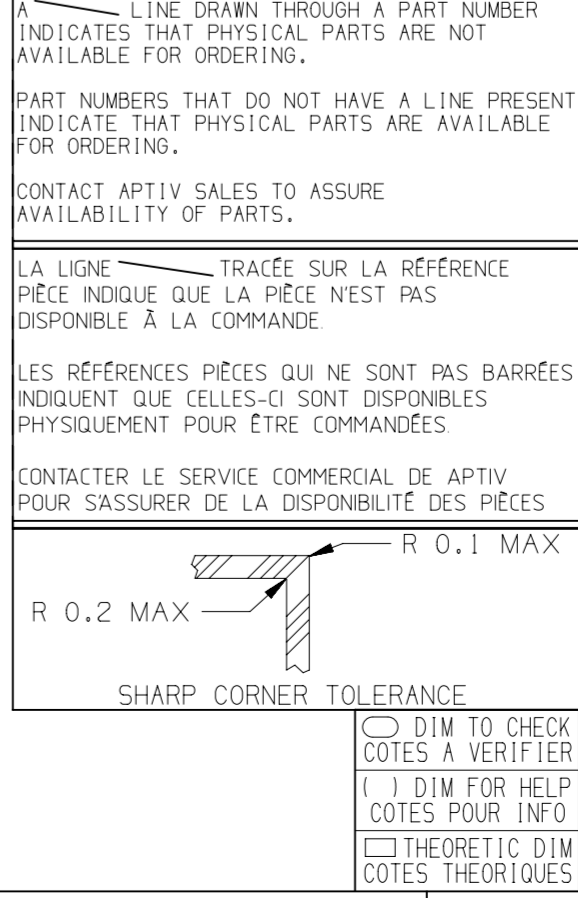
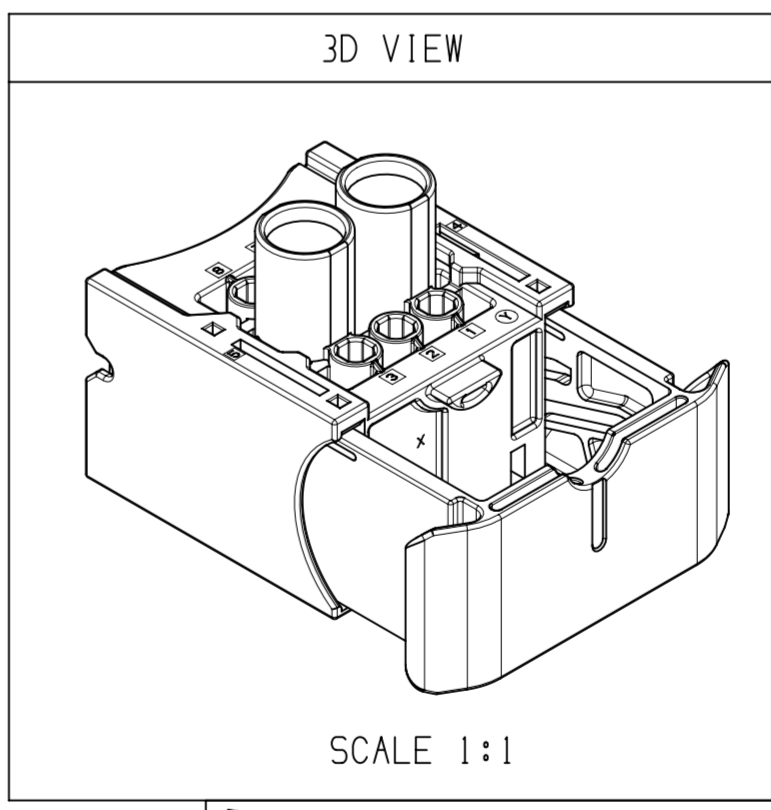
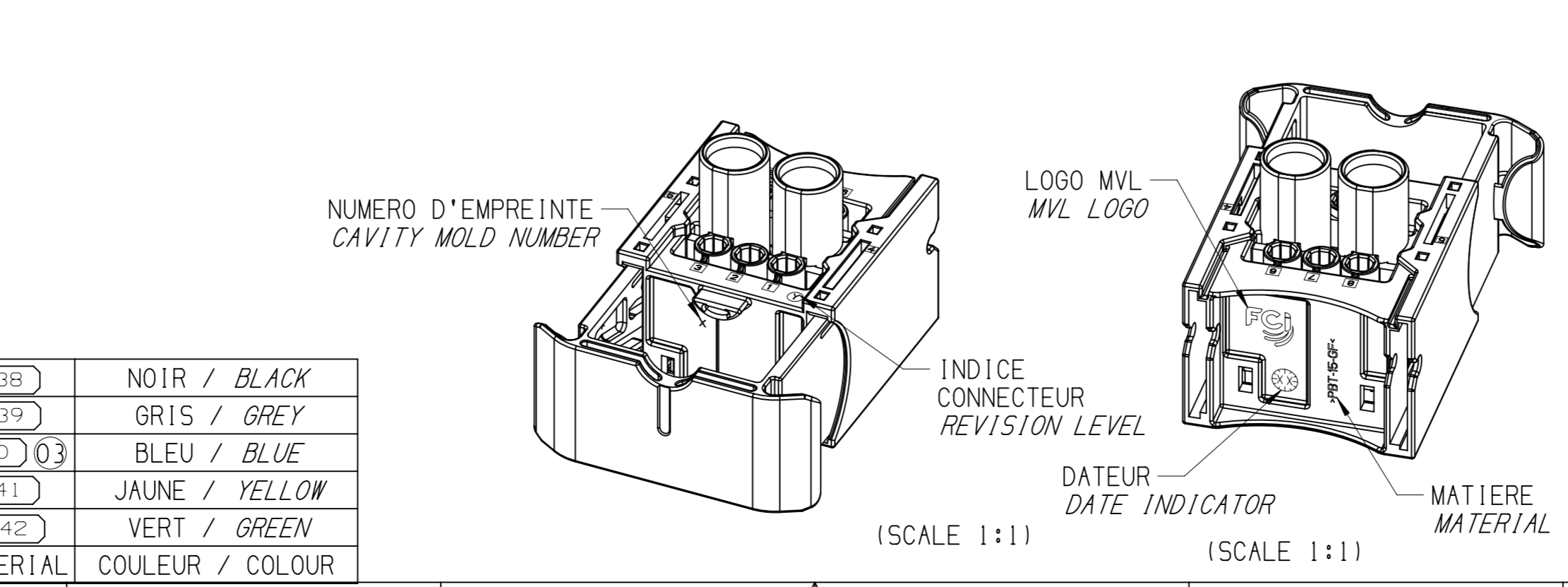
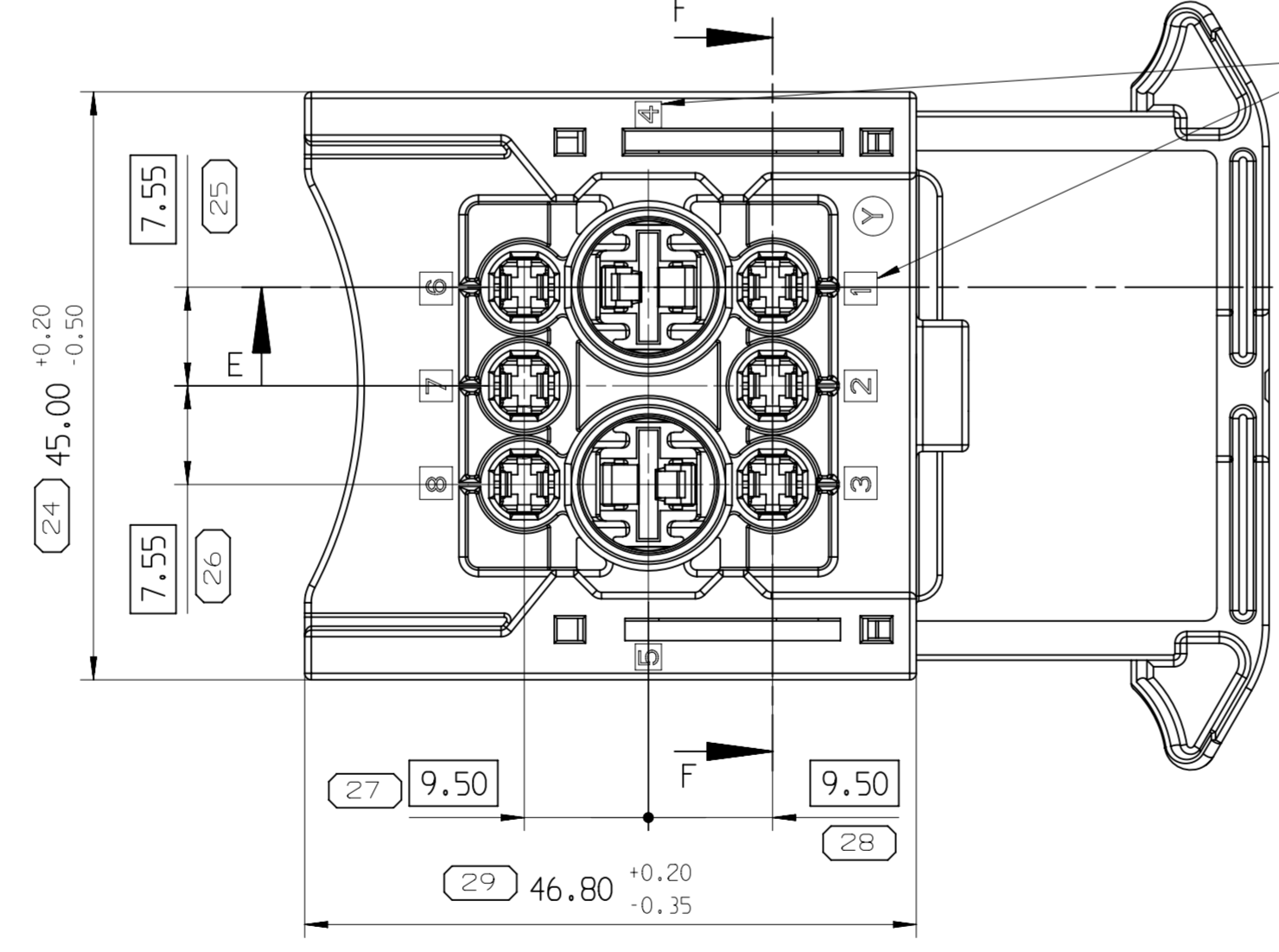
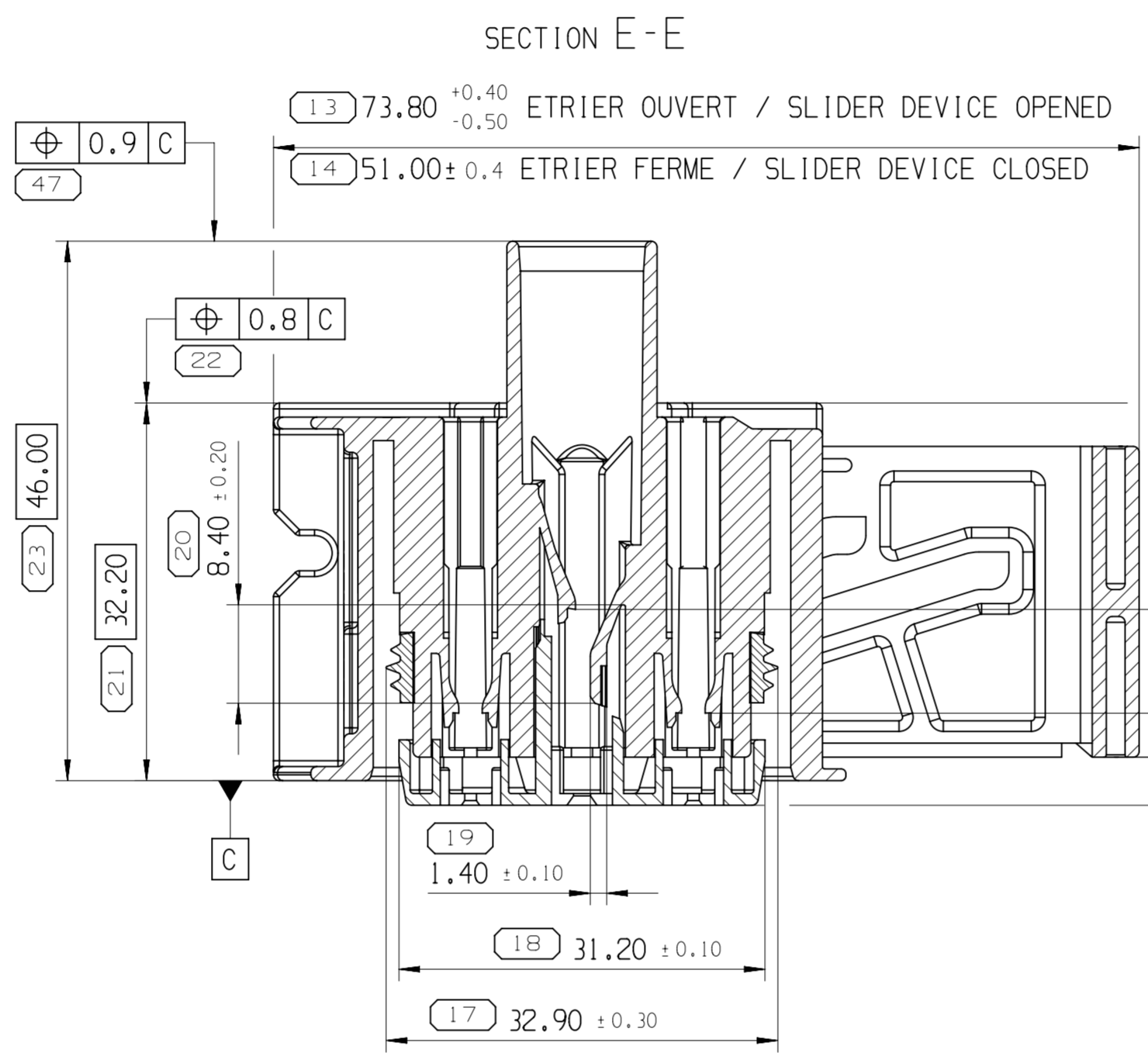
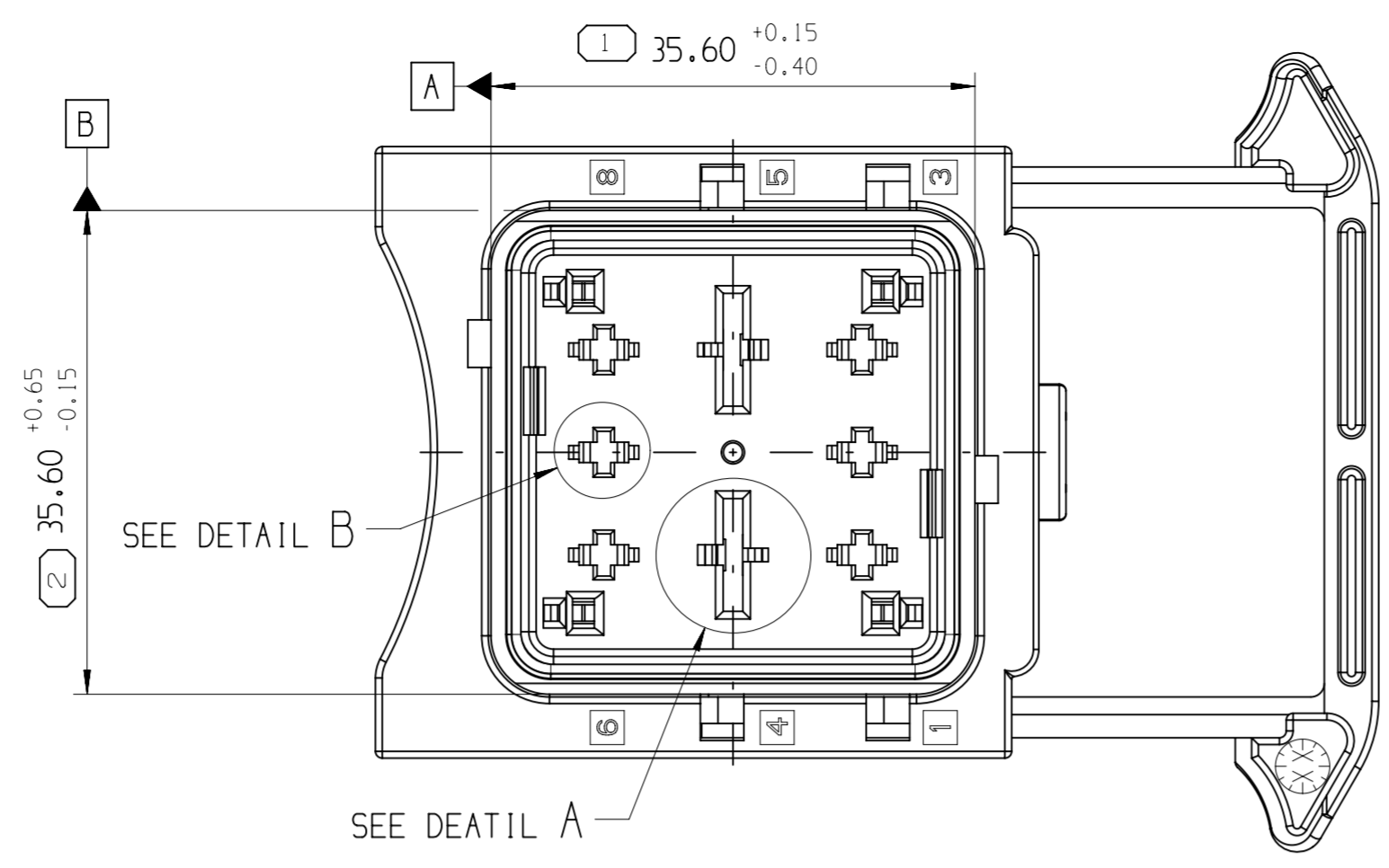


NOTA	SPECIFICATIONS
1	CONNECTEUR SUIVANT STE 96 432 578 99 CONNECTOR ACCORDING STE 96 432 578 99
2	ALVEOLE 2.8mm SUIVANT STE 96 301 961 99 TERMINAL CAVITY 2.8mm ACCORDING TO STE 96 301 961 99
3	ALVEOLE 8mm SUIVANT STE 96 417 535 99, SAUF COTES INDIQUEES SUR COUPE EE TERMINAL CAVITY 8mm ACCORDING TO STE 96 417 535 99, EXCEPT COTATION ON SECTION E-E
4	CONDITIONNEMENT SUIVANT NORME E 7703 150 G PACKAGING ACCORDING TO STANDARD E 7703 150 G
5	MASSE DU PRODUIT LIVRE = 55 g DELIVERY CONNECTOR WEIGHT = 55g
6	REF PLAN D'INTERFACE MVL : 240FT0115 INTERFACE DRAWING REF MVL : 240FT0115
7	PRECONISATION D'UTILISATION / USER'S MANUAL REF MVL / MVL'S REF: PU 038
8	CONTACT ET JUF COMPATIBLES A L'ALVEOLE NG1 TERMINAL AND SINGLE WIRE SEAL COMPATIBLE WITH NG1 CAVITY



CODAGES / KEYS TOLERANCE ±0.1		
COULEUR / COLOUR	NOIR / BLACK	GRIS / GREY
MVL INDICE PIECE / PART LEVEL REFERENCE PORTE-CLIPS FEMALE CONNECTOR PART NUMBER	F 240PC08950015	F 240PC08958015
APTIV INDICE PIECE / PART LEVEL REFERENCE PORTE-CLIPS FEMALE CONNECTOR PART NUMBER	O2 10812007	O2 13949302
VUE SUIVANT A VIEW A	(34) 14.05	(36) 9.05
	(35) 24.05	(37) 20.05

DESIGNATION / DESCRIPTION	REF MVL / MVL P/N	REF APTIV / APTIV P/N	MATIERE / MATERIAL	COULEUR / COLOUR
ISOLANT 8 VOIES / 8 WAY HOUSING	240 I 0 014	33501647	PBT 15% GF (38)	NOIR / BLACK
ISOLANT 8 VOIES / 8 WAY HOUSING	240 I 8 014	33501648	PBT 15% GF (39)	GRIS / GREY
ETRIER / SLIDER	240 M 6 020	33501650	PBT 15% GF (40) (3)	BLEU / BLUE
GRILLE / TPA	240 M 4 017	33501649	PBT 15% GF (41)	JAUNE / YELLOW
JOINT INTERFACIAL / INTERFACIAL SEAL	240 M 019	33501651	SILICONE (42)	VERT / GREEN



DWG STATUS		ZONE		REVISION HISTORY		AUTH	DR	APVD 1	APVD 2
DATE	STG	REV	N/P	CHG					
-	R	01	-	-	-	INITIAL RELEASE			
140C16	R	02	-	-	-	FILE TRANSLATED FROM MVL SYSTEM REDRAWN IN NX	V.DUR	P.PER	P.PER
220C16	R	02	AA	-	D12	DIMENSION 1.00 ±0.15 WAS 1.00 ±0.10	J.MUG	S.ANU	L.HAR
14FE17	R	02	AB	-	C10 F5	DIM. 11 WAS 5.20±0.15 DIM. 15 WAS 32.20±0.40	P.BAL	L.HAR	L.HAR
24NO18	R	03			A9	UPDATED TO APTIV STANDARD APTIV P/N ADDED SLIDER MATERIAL UPDATED	K.ANU	L.LAU	L.LAU

DWG TYP <b>PART DRAWING</b>	DISTR CODE
WEIGHT (GR)	
VOLUME (CM³)	
ROUTING	
UNLESS OTHERWISE SPECIFIED	
GENERAL TOLERANCES ACCORDING TO: ±0.2 ±2°	
GD&T ACCORDING TO:	
REFERENCE pcc0736942	
FIRST ANGLE PROJECTION	
DO NOT SCALE	
USE MATH DATA	

**• APTIV •**

CONNECTION SYSTEMS  
Chennai, India

COPYRIGHT 2015 APTIV. ALL RIGHTS RESERVED.

THIS DRAWING IS THE PROPERTY OF APTIV AND CONTAINS APTIV CONFIDENTIAL INFORMATION. THE REPRODUCTION, DISTRIBUTION AND UTILIZATION OF THIS DOCUMENT OR ITS RELATED CAD DATA, AS WELL AS COMMUNICATION OF ANY CONTENT TO OTHERS, WITHOUT EXPRESS AUTHORIZATION, IS PROHIBITED.

CE PLAN EST LE PROPRIETE DE APTIV ET CONTIENT DES INFORMATIONS APTIV CONFIDENTIELLES. LA REPRODUCTION, LA DISTRIBUTION ET L'UTILISATION DE CE DOCUMENT OU DE SES DONNEES MATHÉMATIQUES CAO, AINSI QUE LA COMMUNICATION DE TOUT CONTENU À AUTRUI, SANS AUTORISATION EXPRESSE EST INTERDITE.

DR	PCC	DATE
APVD1	S LACOTE	16AP15
APVD2	L DOMERGUE	16AP15
APVD3	Pascal MENARD	16AP15
APVD4		
APVD5		

SUBSTANCES OF CONCERN AND RECYCLED CONTENT PER APTIV 10949001  
MATIERES PROHIBITES ET CONTENU RECYCLABLE SELON APTIV 10949001

MATERIAL  
SEE PART LIST

DRAWING NUMBER  
**13952337**

SIZE	SCALE	FRAME NO	SHEET NO	STG	REV	N/P
A1	2:1	1 OF 1	1 OF 1	R	03	

Sheet: K29637-37-CUS16-501/03 Date: 22-May-19 Time: 09:46:11

## X-ON Electronics

Largest Supplier of Electrical and Electronic Components

*Click to view similar products for [Automotive Connectors](#) category:*

*Click to view products by [APTIV](#) manufacturer:*

Other Similar products are found below :

[003-018-000](#) [60403001](#) [60993906-B](#) [M902-2131](#) [M902-2161](#) [72.330.1035.1](#) [73.353.4028.0](#) [F119300-B](#) [F166900](#) [F258300-B](#) [F358300-B](#)  
[F407400](#) [F444110](#) [F487000](#) [F509500B-B](#) [827153-1](#) [8N1515-32-24P](#) [9-1326729-8](#) [925474-1](#) [928905-1](#) [964562-4](#) [968782-1](#) [GT17SA-8DS-](#)  
[HU](#) [98891-1012](#) [98947-1016](#) [12004475-L](#) [12010290](#) [12010309-B](#) [12015454](#) [12020219-B](#) [12020308](#) [12041318-B](#) [12052225-L](#) [12052466](#)  
[12059125](#) [12064869](#) [12004327-B](#) [12010503-B](#) [12015308](#) [12015384](#) [12015909](#) [1-21030-1](#) [12041254](#) [12041318](#) [12047946-B](#) [12047957](#)  
[12047957-L](#) [12059473](#) [12066261](#) [12110546](#)