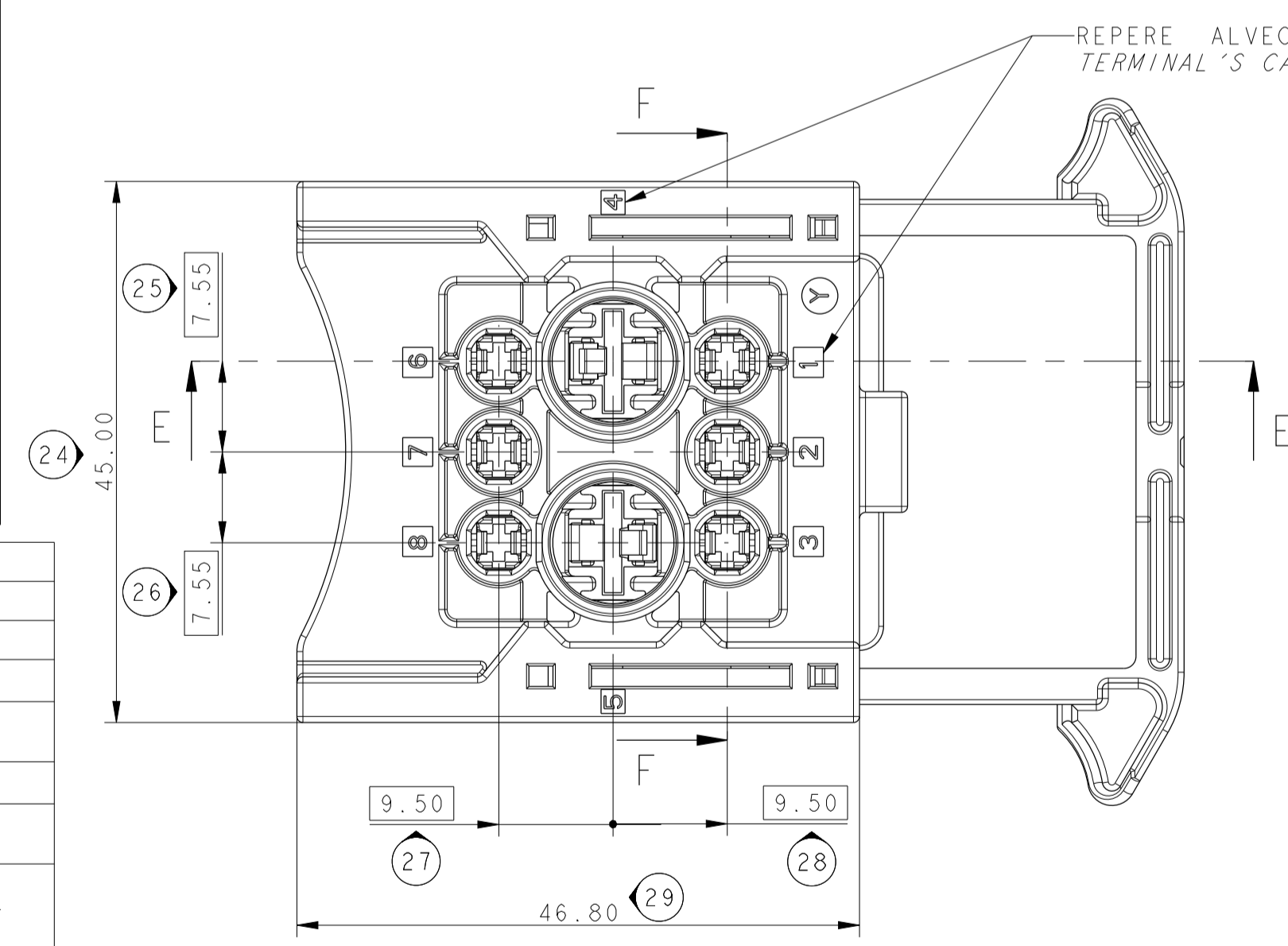
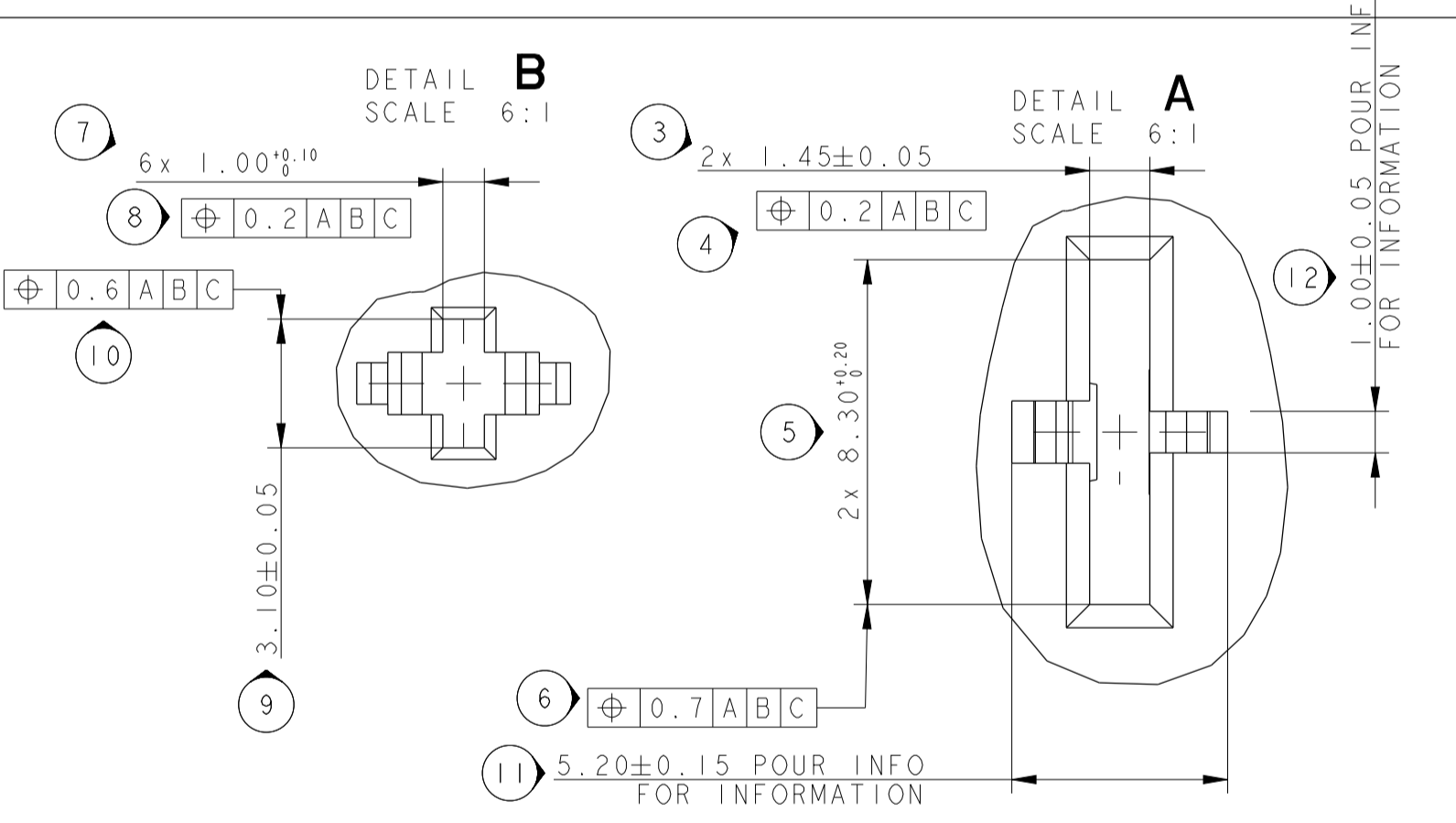
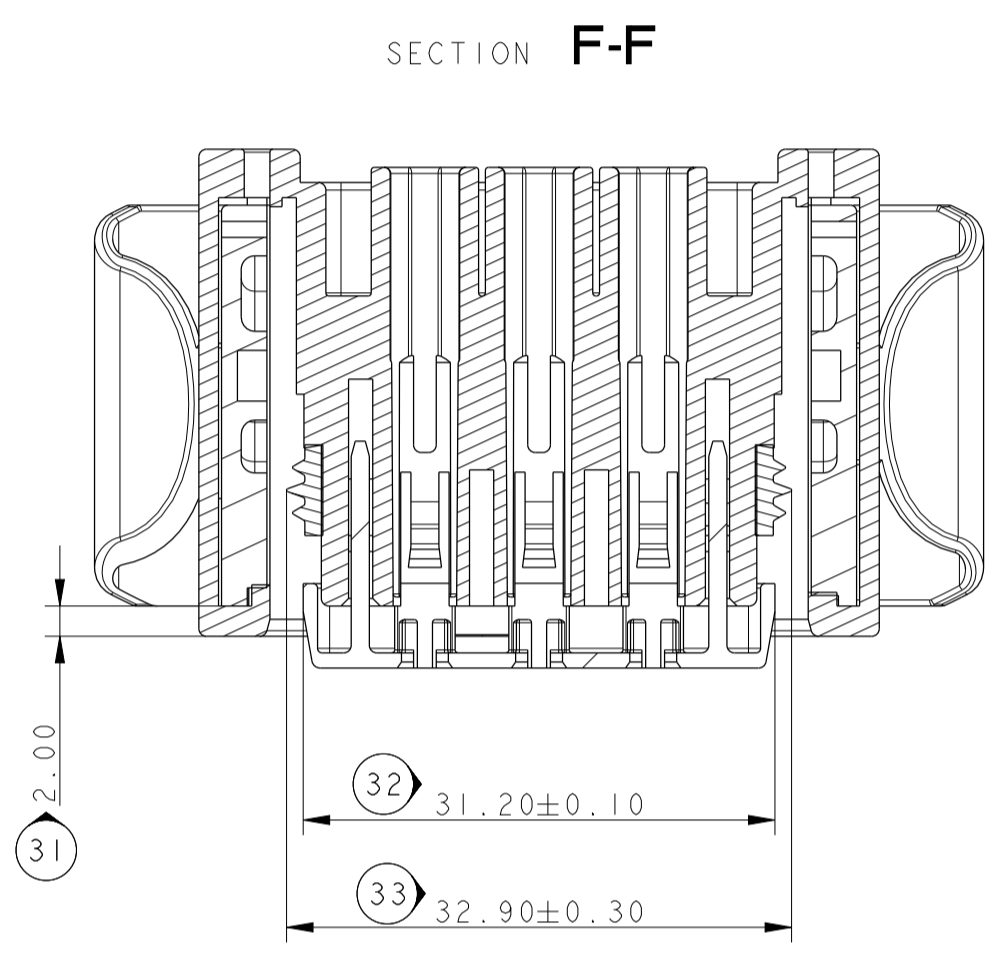
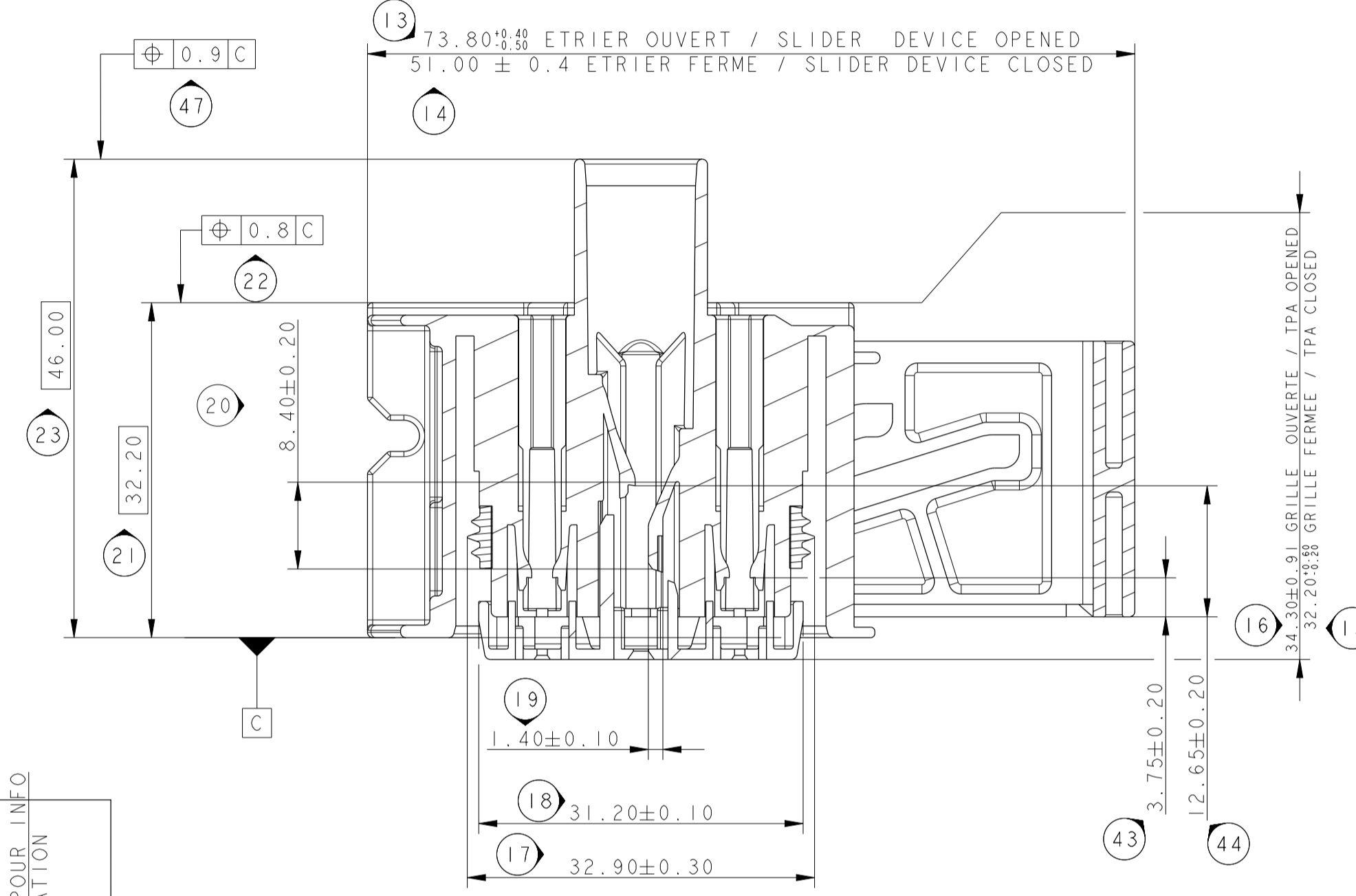
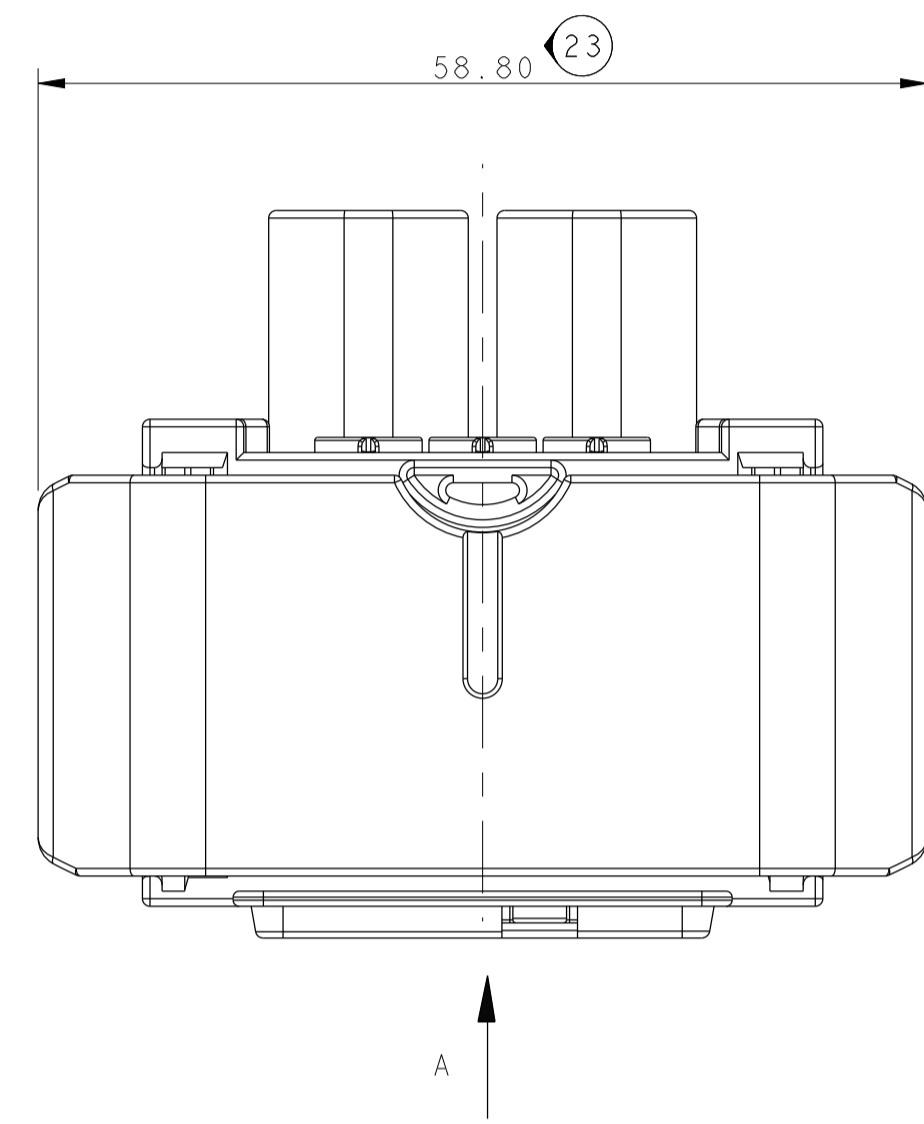
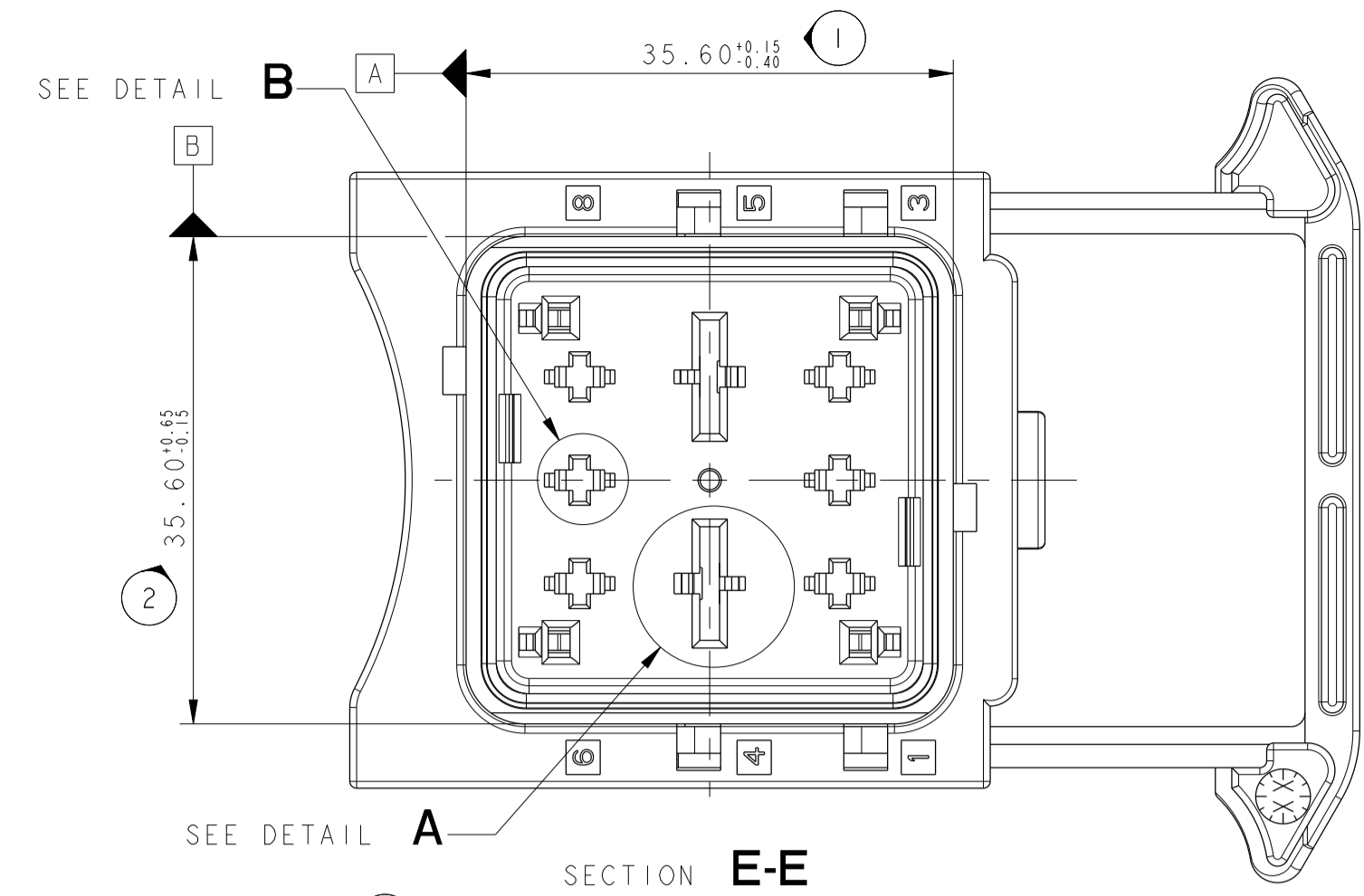


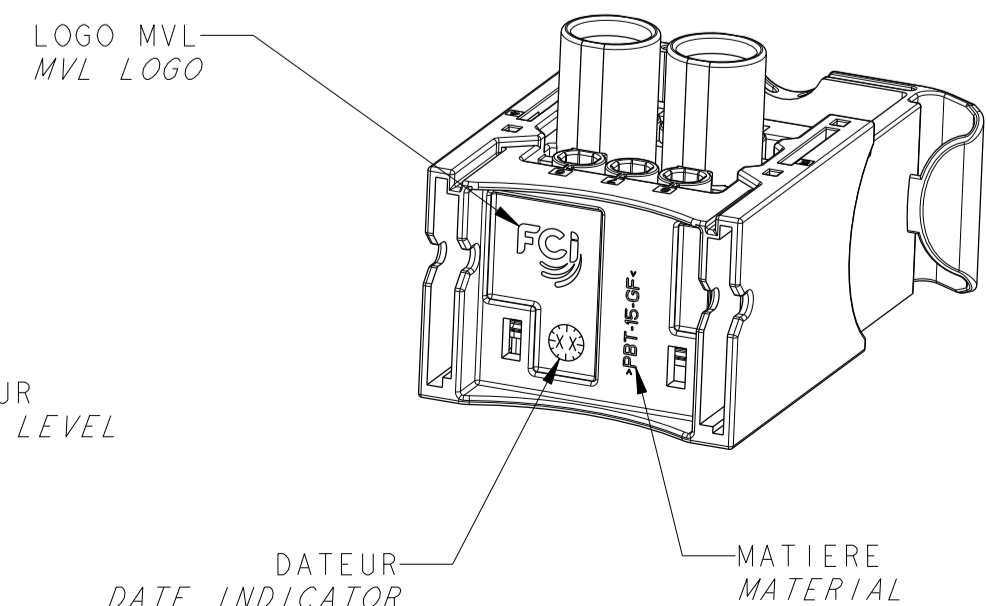
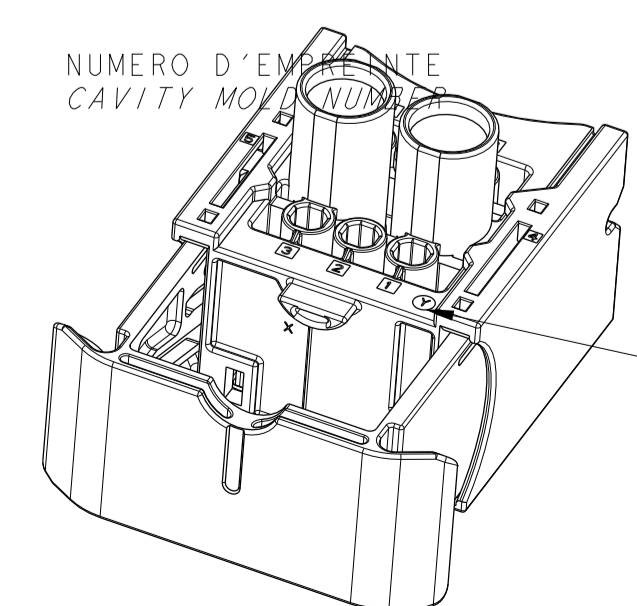
NOTA	SPECIFICATIONS
1	CONNECTEUR SUIVANT STE 96 432 578 99 CONNECTOR ACCORDING TO STE 96 432 578 99
2	ALVEOLE 2.8mm SUIVANT STE 96 301 961 99 TERMINAL CAVITY 2.8mm ACCORDING TO STE 96 301 961 99
3	ALVEOLE 8mm SUIVANT STE 96 417 535 99, SAUF COTES INDIQUEES SUR COUPE EE TERMINAL CAVITY 8mm ACCORDING TO STE 96 417 535 99, EXCEPT COTATION ON SECTION E-E
4	CONDITIONNEMENT SUIVANT NORME E 7703 150 G PACKAGING ACCORDING TO STANDARD E 7703 150 G
5	MASSE DU PRODUIT LIVRE = 55 g DELIVERY CONNECTOR WEIGHT = 55g
6	REF PLAN D'INTERFACE FCI : 240FT0115 INTERFACE DRAWING REF FCI: 240FT0115
7	PRECONISATION D'UTILISATION / USER'S MANUAL REF FCI / FCI'S REF: PU 038
8	CONTACT ET JUF COMPATIBLES A L'ALVEOLE NGI TERMINAL AND SINGLE WIRE SEAL COMPATIBLE WITH NGI CAVITY



CODAGES / KEYS		
TOLERANCE ±0.1		
COULEUR / COLOUR	NOIR / BLACK	GRIS / GREY
MVL	INDICE PIECE / PART LEVEL REFERENCE PORTE-CLIPS FEMALE CONNECTOR PART NUMBER	240PC089S0015 240PC089S8015
DELPHI	INDICE PIECE / PART LEVEL REFERENCE PORTE-CLIPS FEMALE CONNECTOR PART NUMBER	02 13949302

VUE SUIVANT A VIEW A	
34 14.05	36 9.05
35 24.05	37 20.05

DESIGNATION / DESCRIPTION	REF MVL / MVL P/N	MATIERE / MATERIAL	COULEUR / COLOR
ISOLANT 8 VOIES / 8 WAY HOUSING	240 I 0 014	PBT 15% GF	NOIR / BLACK
ISOLANT 8 VOIES / 8 WAY HOUSING	240 I 8 014	PBT 15% GF	GRIS / GREY
ETRIER / SLIDER	240 M 6 020	PA 6.6 30% GF	BLEU / BLUE
GRILLE / TPA	240 M 4 017	PBT 15% GF	JAUNE / YELLOW
JOINT INTERFACIAL / INTERFACIAL SEAL	240 M 019	SILICONE	VERT / GREEN



ECN-NO	POSITION	CHANGE DESCRIPTION
		DELPHI P/N ADDED

PROJET SPEC	PACKAGING SPEC	APPLICATION SPEC	COPYRIGHT
			DELPHI CORPORATION AND/OR ITS AFFILIATES. ALL RIGHTS RESERVED. REVISED

TOLERANCES	MATERIAL	ETAT DE SURFACE
±0.2 ±0.2	SEE PART LIST	

CONTRÔLE N°	COULEUR	DESIGNATION	DRAWING NUMBER	REV.	APPROVAL LEVEL
	SEE KEYS TABLE	FEMALE CONNECTOR 6x28 + 2x8	PCC0736942	D	CAO SYSTEM

DATE	NOM	ETAT	PROJET	REF. PLAN	REV.	IND.
20150909						

APPR. PAR	LETTRE	ESP. NO	NUMERO ESP.	LETTRE	ESP. NO	NUMERO ESP.

X-ON Electronics

Largest Supplier of Electrical and Electronic Components

Click to view similar products for [Automotive Connectors](#) category:

Click to view products by [APTIV](#) manufacturer:

Other Similar products are found below :

[003-018-000](#) [60403001](#) [60993906-B](#) [629515004020001](#) [M902-2131](#) [M902-2161](#) [72.330.1035.1](#) [73.353.4028.0](#) [F119300-B](#) [F166900](#)
[F258300-B](#) [F358300-B](#) [F407400](#) [F444110](#) [F487000](#) [F509500B-B](#) [827153-1](#) [8N1515-32-24P](#) [9-1326729-8](#) [925474-1](#) [928905-1](#) [964562-4](#)
[968782-1](#) [GT17SA-8DS-HU](#) [98891-1012](#) [98947-1016](#) [12004475-L](#) [12010290](#) [12010309-B](#) [12015454](#) [12020219-B](#) [12020308](#) [12041318-B](#)
[12052225-L](#) [12052466](#) [12059125](#) [12064869](#) [12004327-B](#) [12010503-B](#) [12015308](#) [12015384](#) [12015909](#) [1-21030-1](#) [12041254](#) [12041318](#)
[12047946-B](#) [12047957](#) [12047957-L](#) [12059473](#) [12066261](#)