

NOMENCLATURE  
PARTS LIST

2	1	VERROU-SECONDAIRE SECONDARY-LOCK	PBT GF 15	VERT GREEN	250 M 5 007	33506041
1	1	ISOLANT PORTE-LANGUETTES 10 VOIES 10-WAY MALE HOUSING	PBT GF 15	SELON CODEUR ACCORDING TO CODING	250 I X 006	-
REP.	QUANTITE QUANTITY	DESIGNATION	MATIERE MATERIAL	COULEUR COLOUR	REFERENCE MVL MVL P/N	REFERENCE DELPHI DELPHI P/N

PRINCIPALES PROPRIETES MECANQUES MAIN MECHANICAL PROPERTIES	VALEURS VALUES
CLASSE DE TEMPERATURE OPERATING TEMPERATURE	-40°/+85°C POUR INFO FOR INFO
CLASSE DE VIBRATION VIBRATION CLASS	1 POUR INFO FOR INFO
EFFORT DE MONTAGE DU CONNECTEUR SUR INTERFACE CONNECTOR MATING FORCE ON INTERFACE	< 60N
TENUE A L'ARRACHEMENT DU CONNECTEUR SUR INTERFACE CONNECTOR RETENTION FORCE ON INTERFACE	> 100N
MONTAGE SUR ATTACHE ATTACHMENT MATING FORCE ON PC	< = 30N
TENUE A L'ARRACHEMENT DE L'ATTACHE ATTACHMENT RETENTION FORCE ON PC	> + 60N

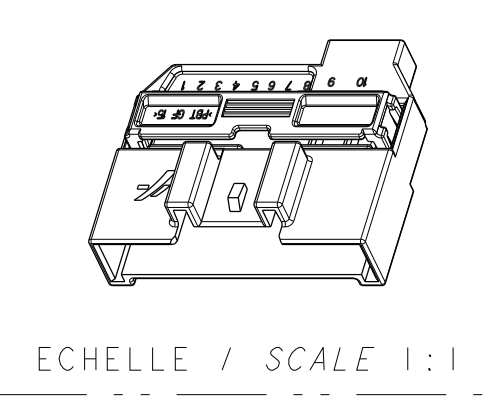
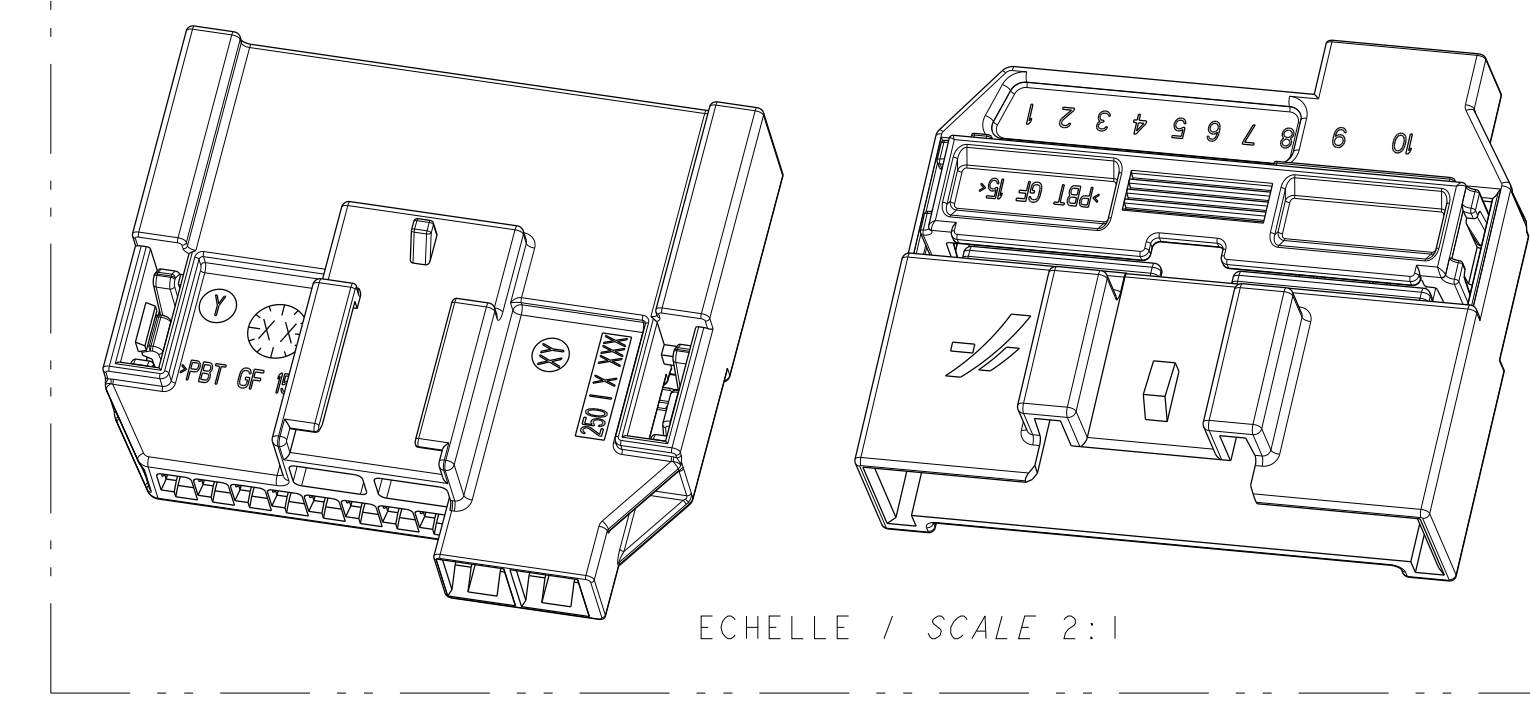
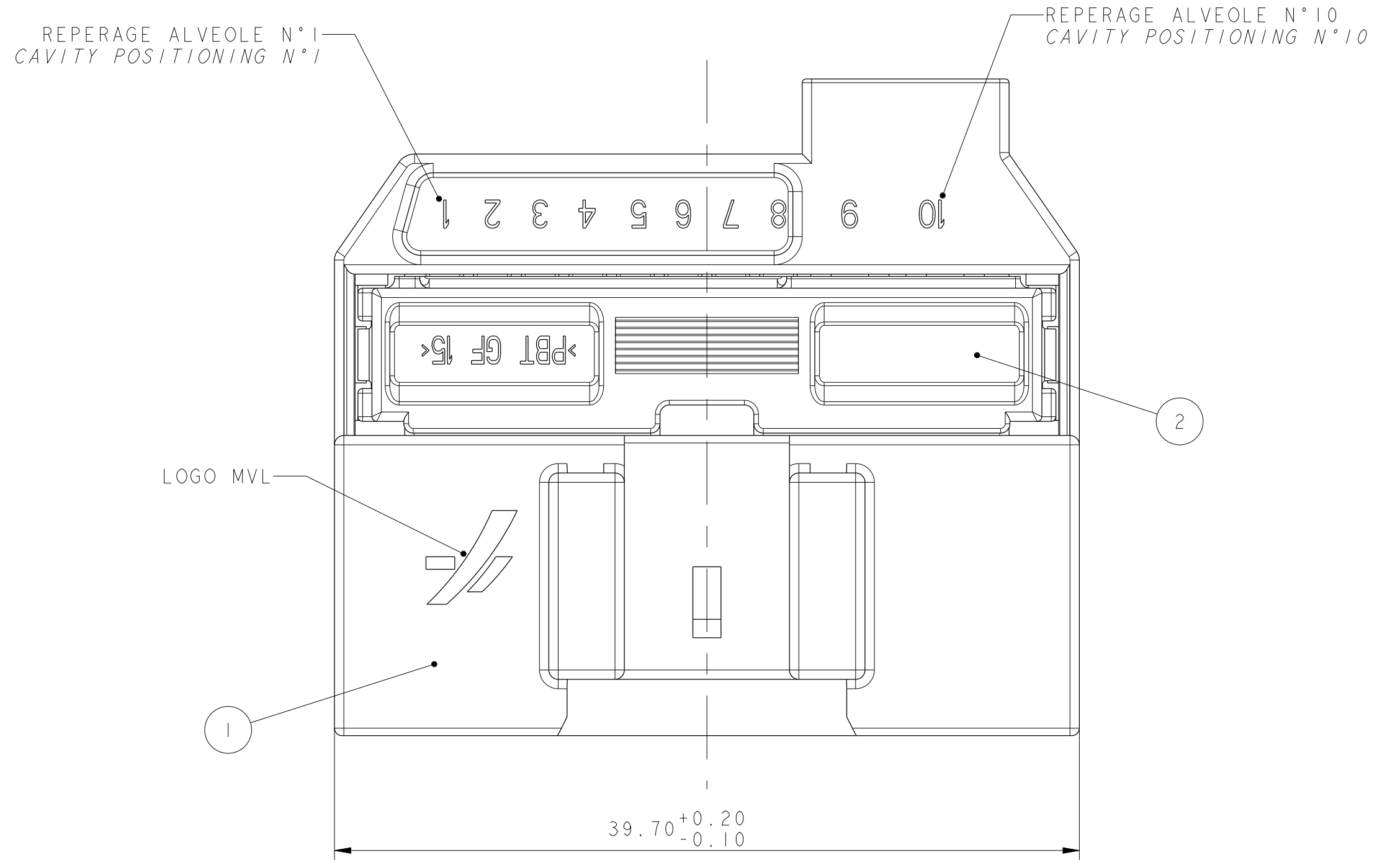
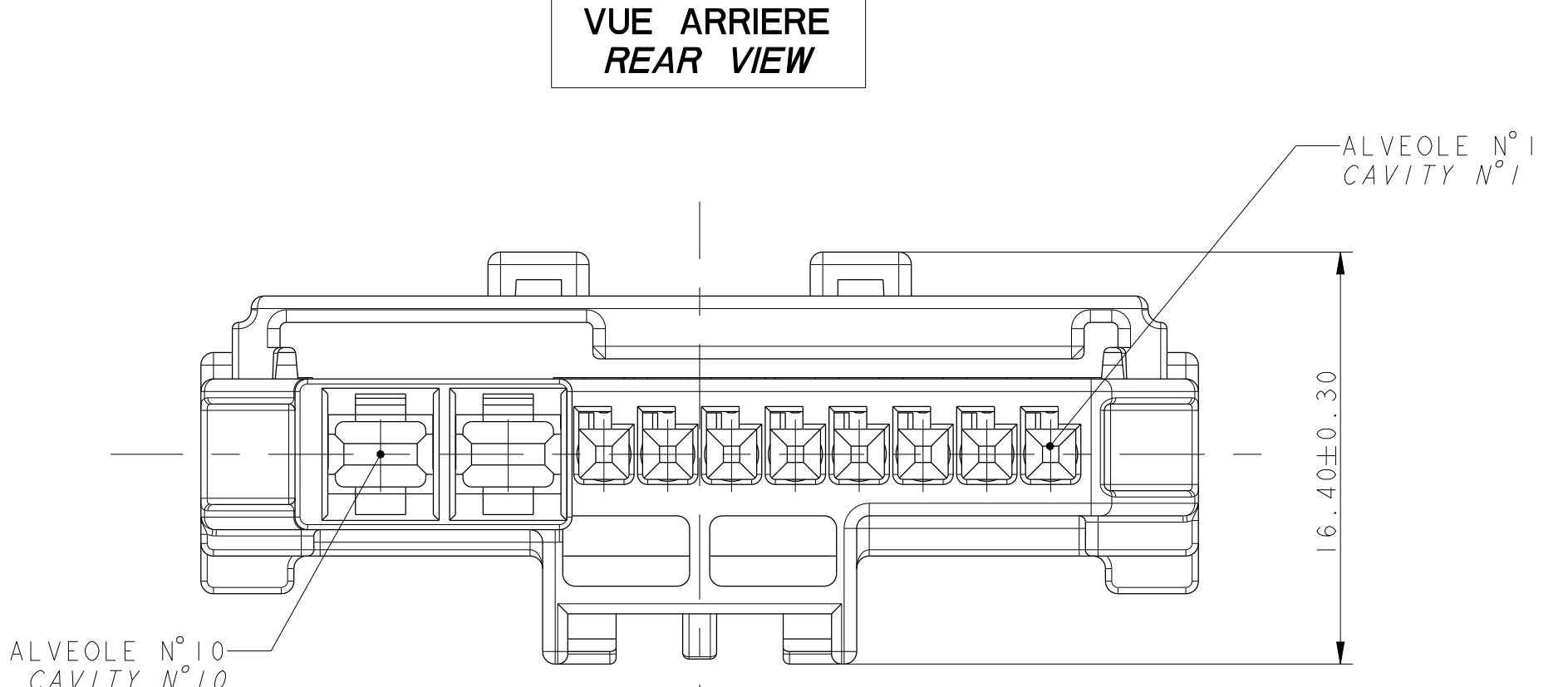
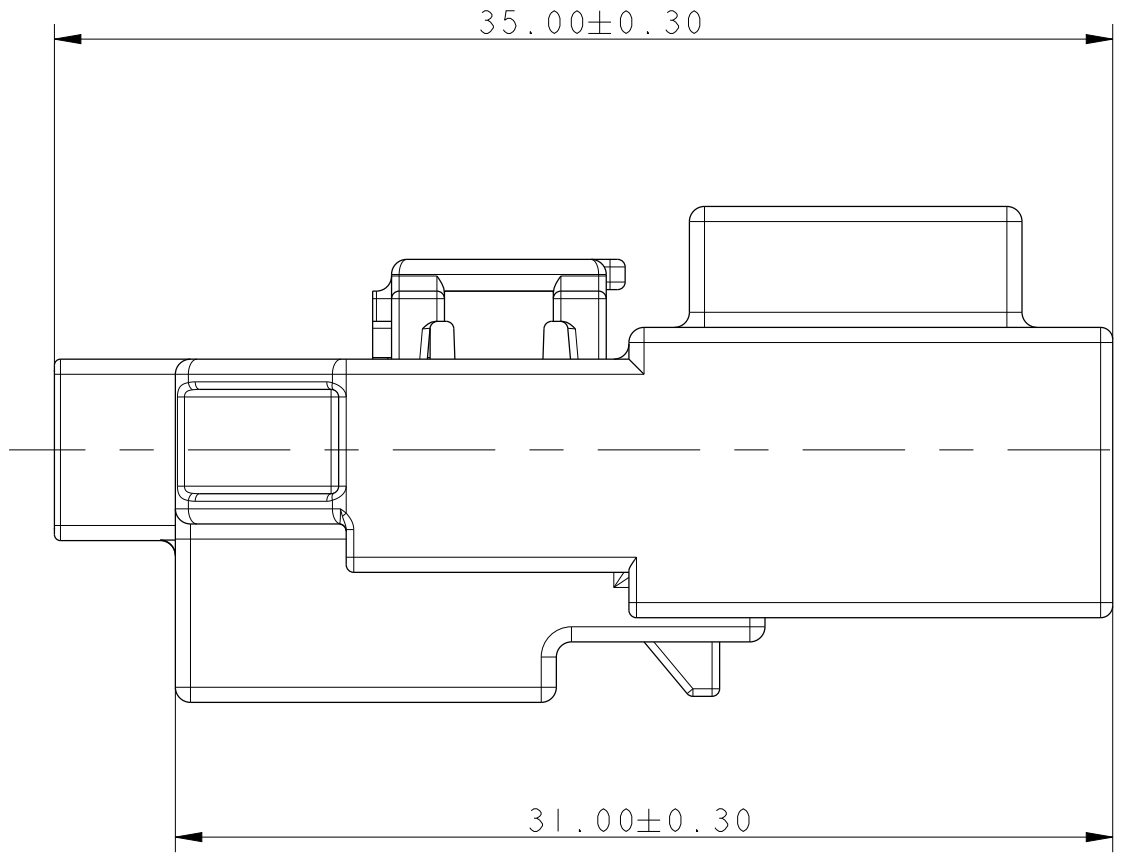
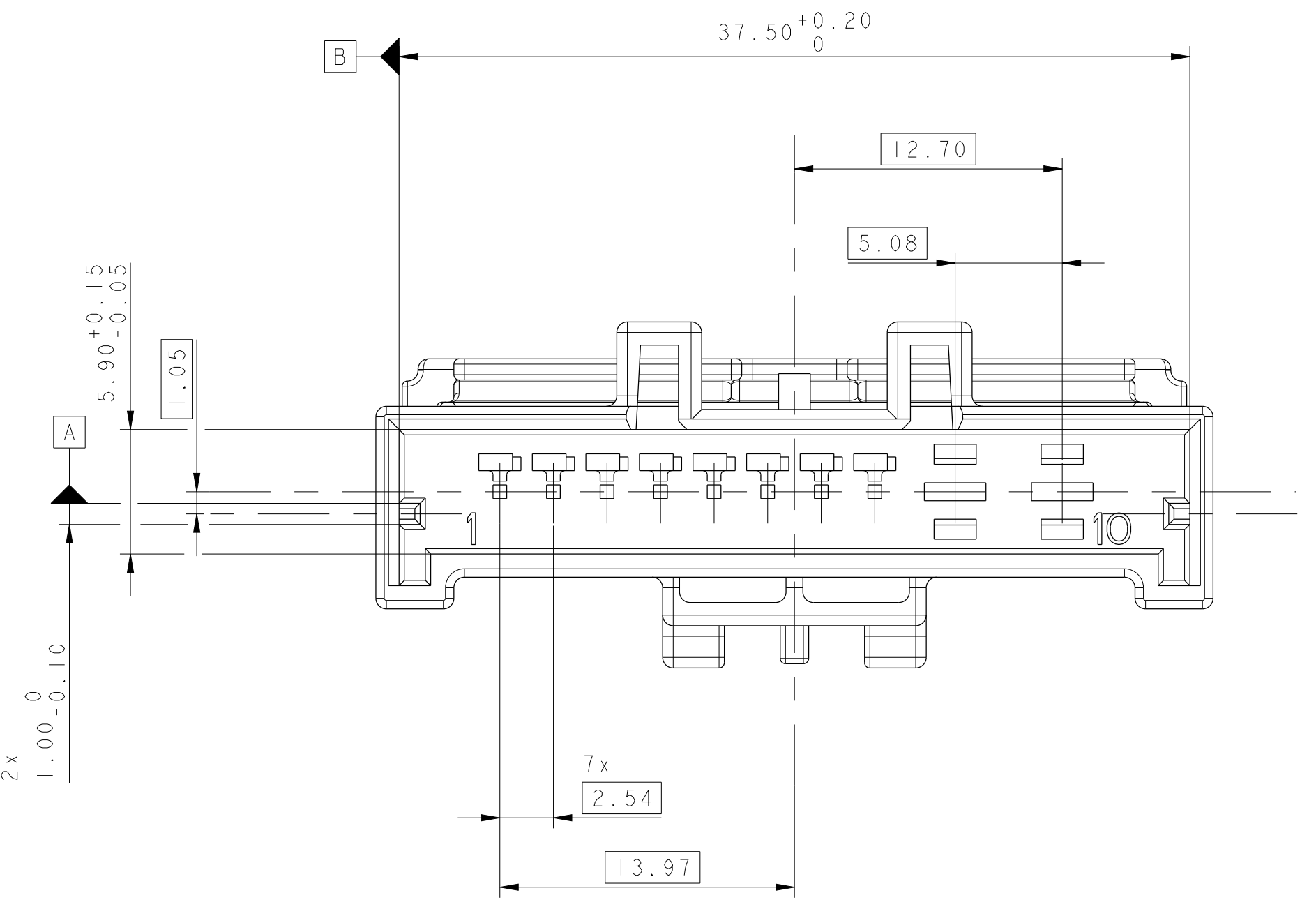
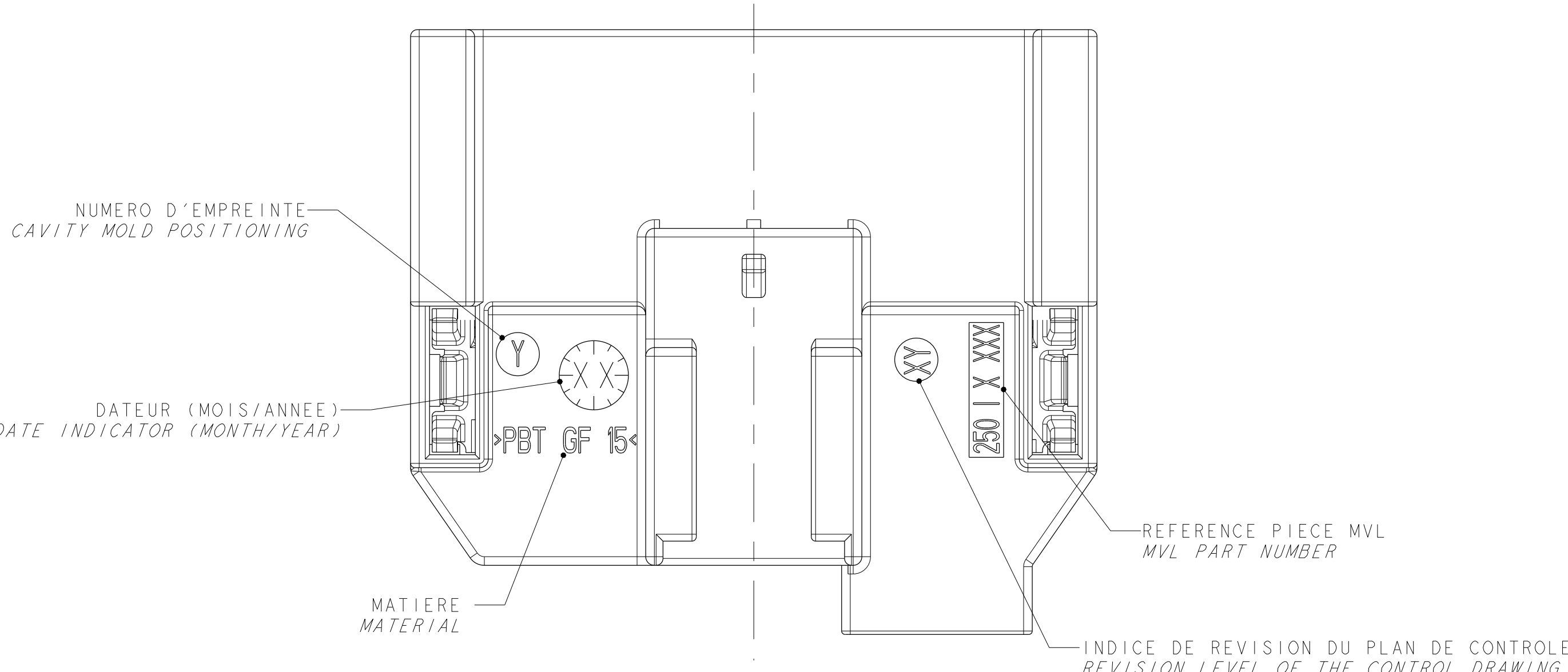
PRODUITS ASSOCIES ASSOCIATED PARTS			
LANGUETTES MALE TERMINALS	VOIES 1 à 8 WAYS 1 to 8		
	GAUGE 0	GAUGE 1	-
	MOS TYCO 1-928918-1	963716-1	-
MTS DELPHI 13580586	13580588	-	
LANGUETTES MALE TERMINALS	VOIES 9 et 10 WAYS 9 and 10		
	GAUGE 0	GAUGE 1	GAUGE 2
	REFERENCE MVL MVL P/N	6 011 06 11	6 011 06 31
REFERENCE DELPHI DELPHI P/N	10774271	10774272	10756896
PORTE CLIPS 10 VOIES Ø2 10 WAY Ø2 FEMALE CONNECTOR			
REFERENCE MVL MVL P/N	REFERENCE DELPHI DELPHI P/N		
250PC109F0001	33511072		

**MISE EN OEUVRE  
APPLICATION SPECIFICATION**

DOSSIER DE PRECONISATION : PU 203  
USER'S MANUAL : PU 203

**SPECIFICATION PRODUIT  
PRODUCT SPECIFICATION**

CARRY-OVER SIEMENS N° 10 00 181



NOTE: LE MODELE REPRESENTE EST LE CODAGE NOIR  
NOTE: THE SHOWN VERSION IS THE BLACK ONE

ECO NO	POSITION	CHANGE DESCRIPTION
1	INITIAL RELEASE	

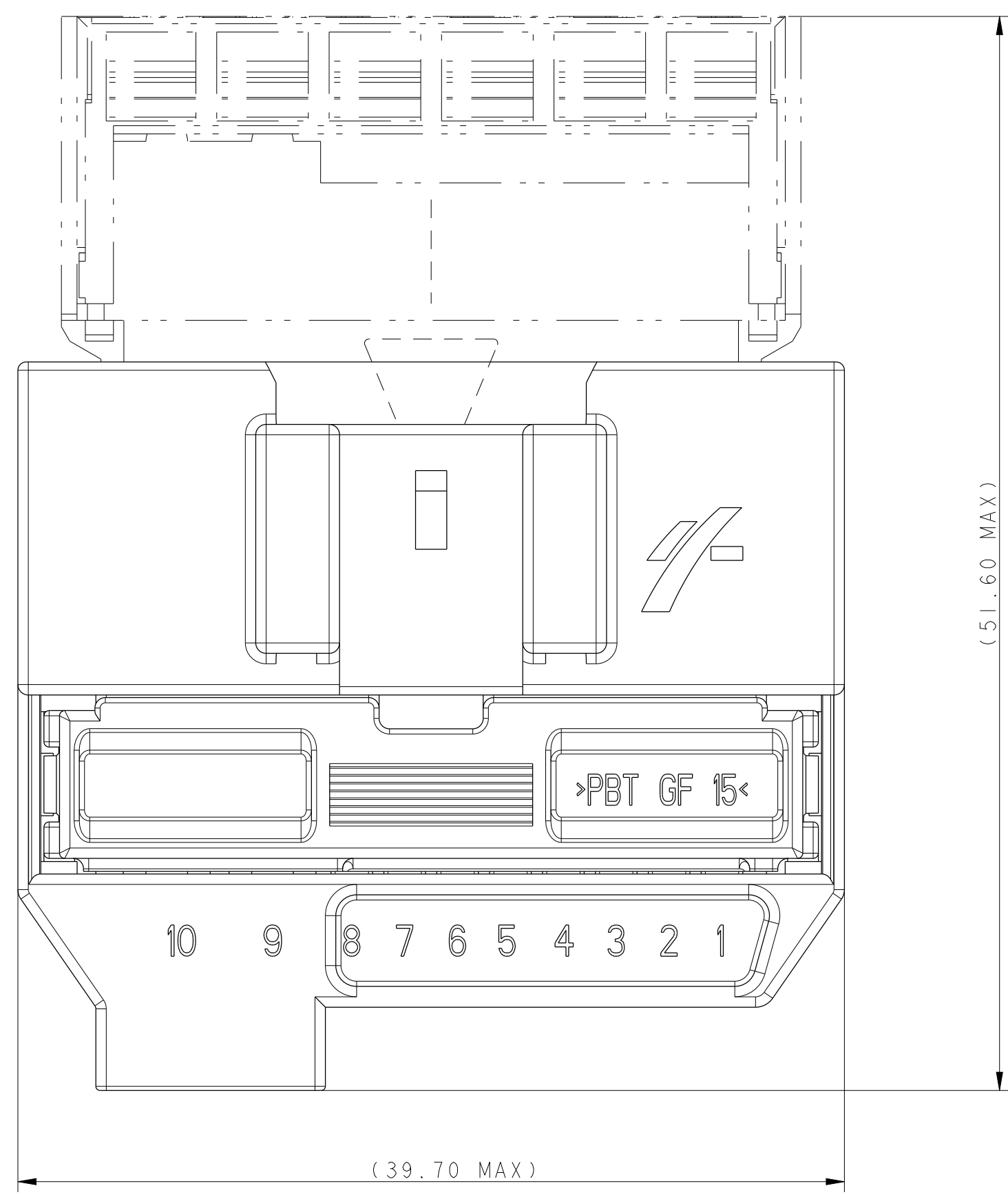
DELPHI CORPORATION AND/OR ITS AFFILIATES. ALL RIGHTS RESERVED. REVISED

10-WAY MALE CONNECTOR PCC0831077

FLEX CONNECTOR MOUNTPACK SERIAL RELEASED

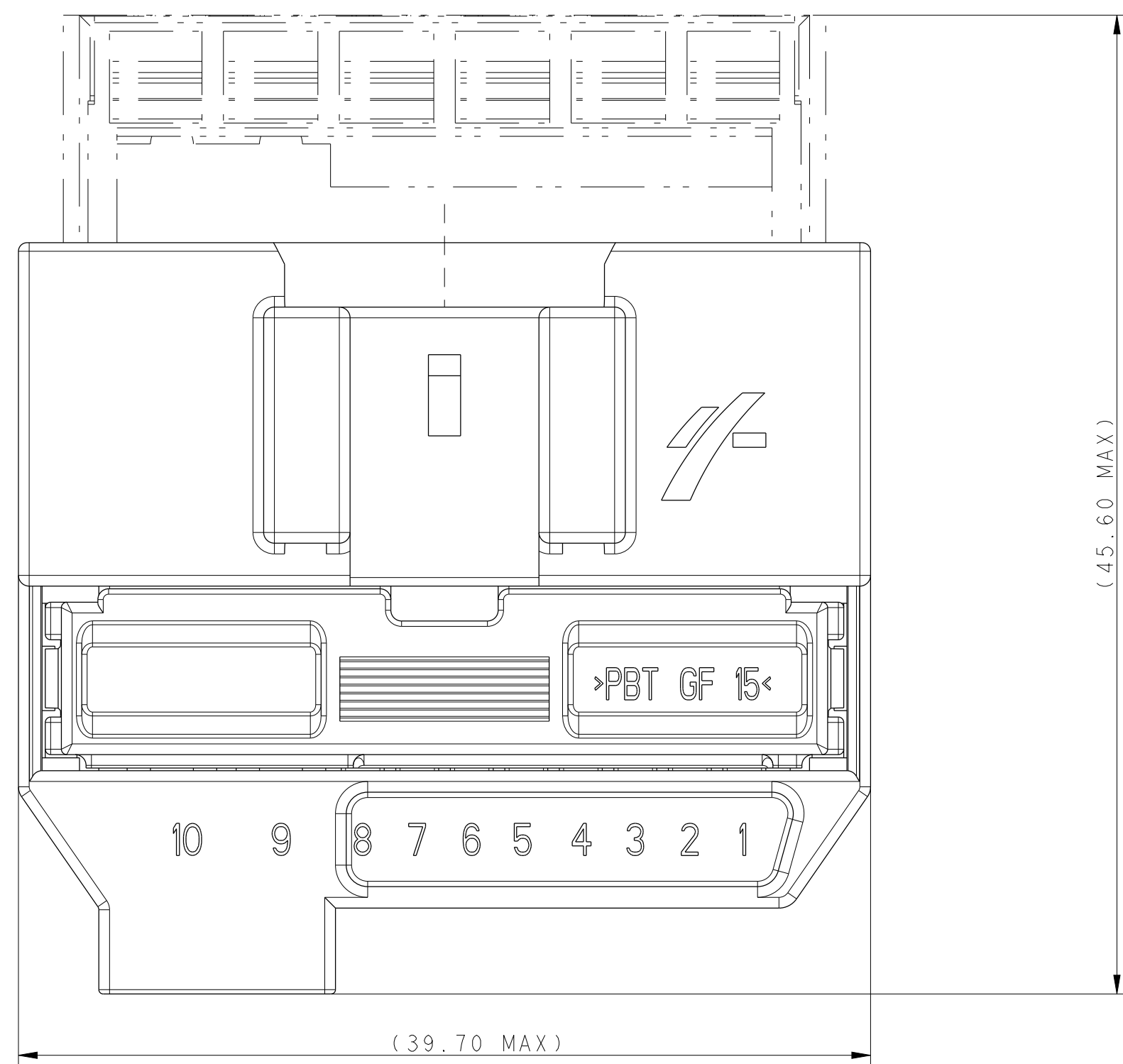
POUR INFORMATION  
FOR INFORMATION

VUE AVANT ACCOUPLEMENT (ACCOSTAGE)  
VIEW BEFORE MATING (ACCOUSTING)



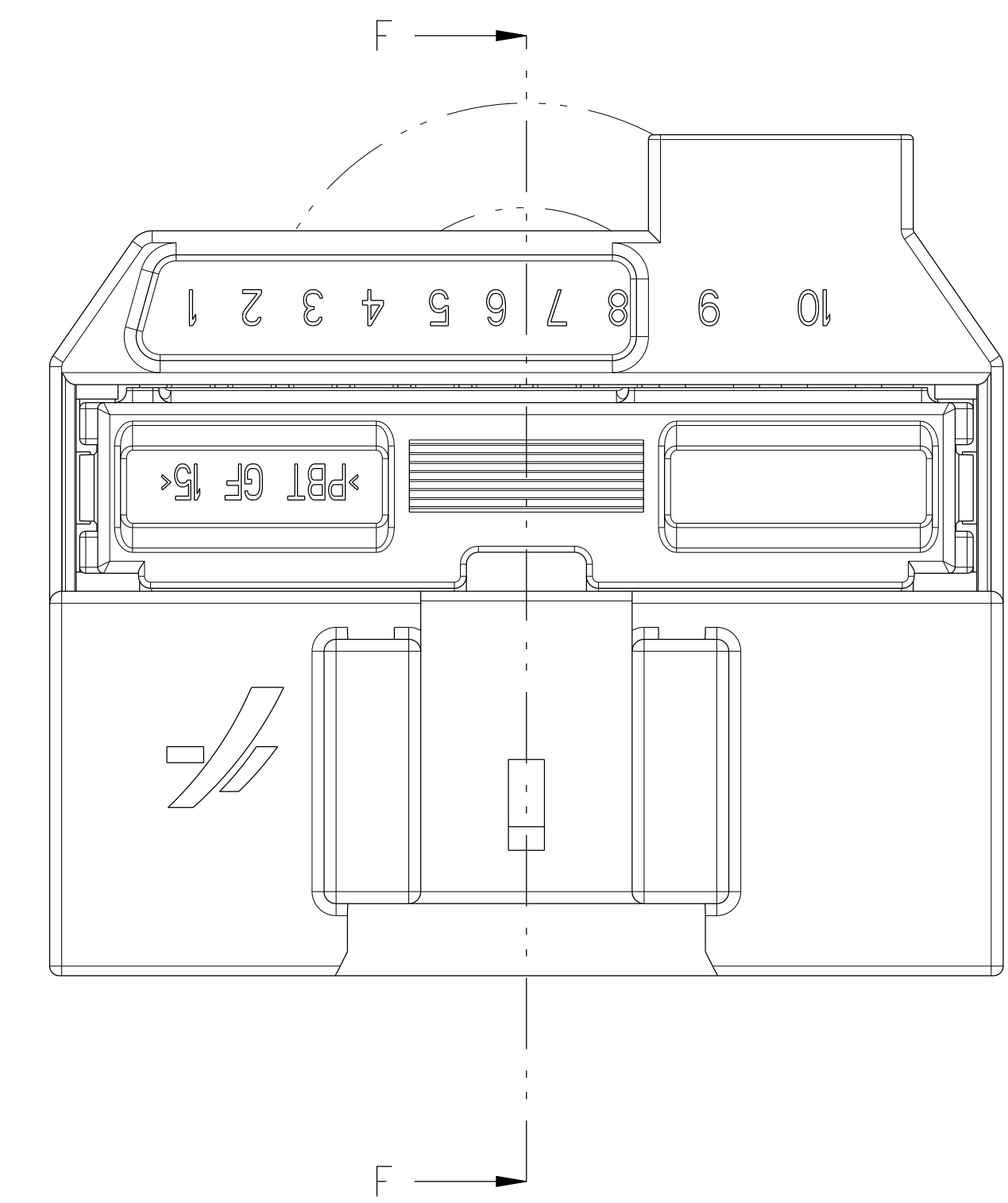
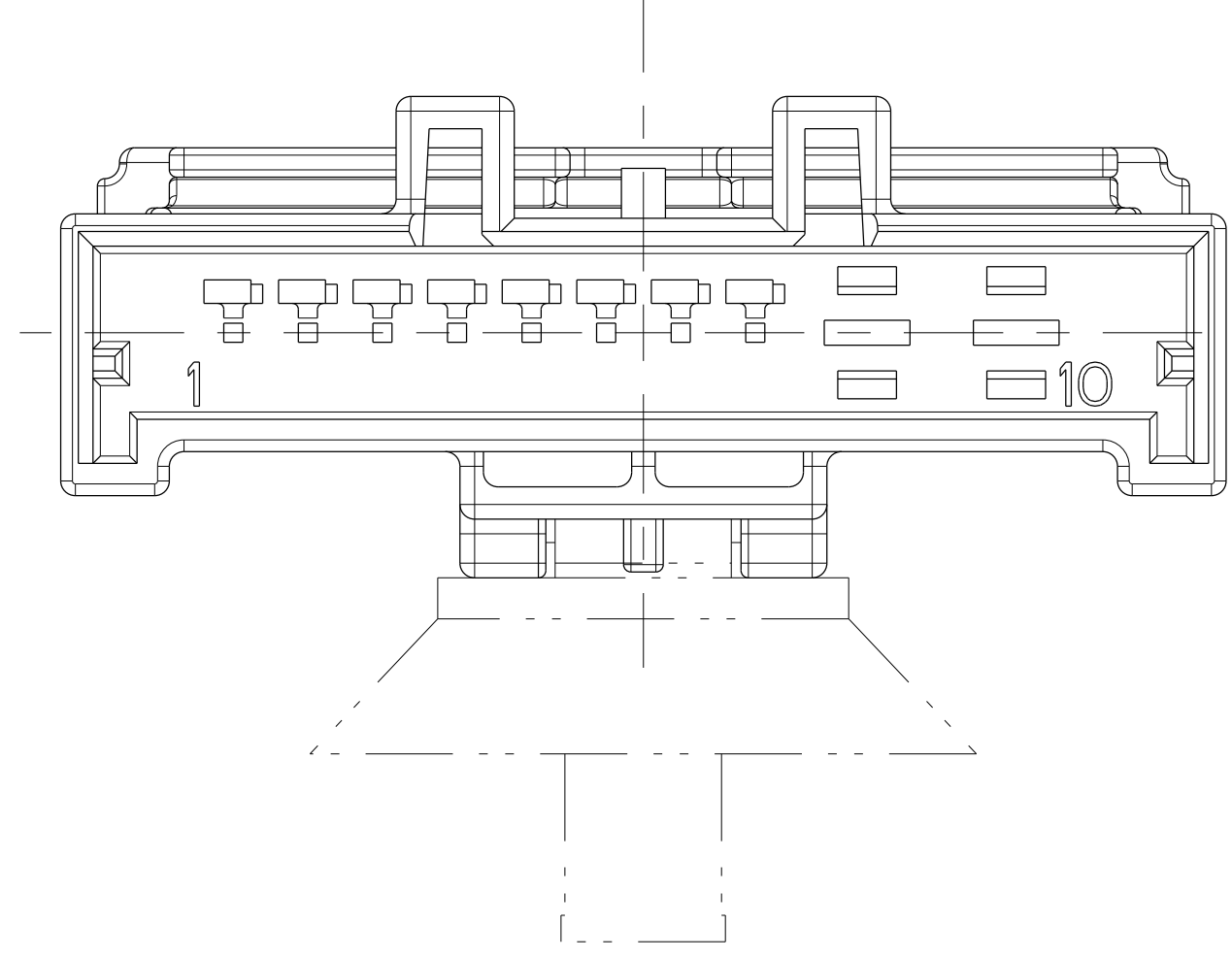
ECHELLE / SCALE 3:1

VUE APRES ACCOUPLEMENT  
VIEW AFTER MATING



ECHELLE / SCALE 3:1

INTERFACE AVEC ATTACHE C.P.I.O.  
FOOTPRINT WITH C.P.I.O. FASTENER



COUPE / SECTION F-F

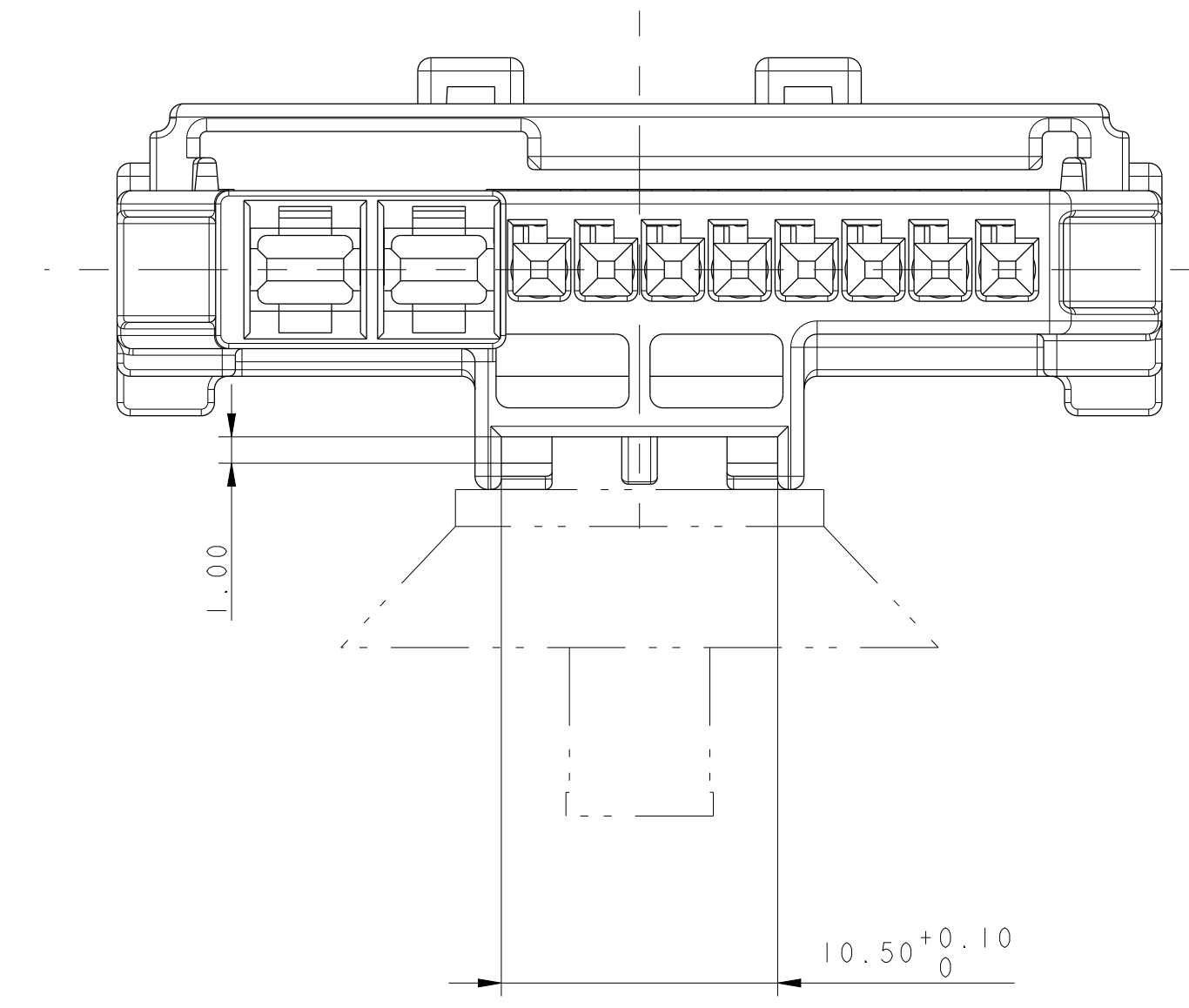
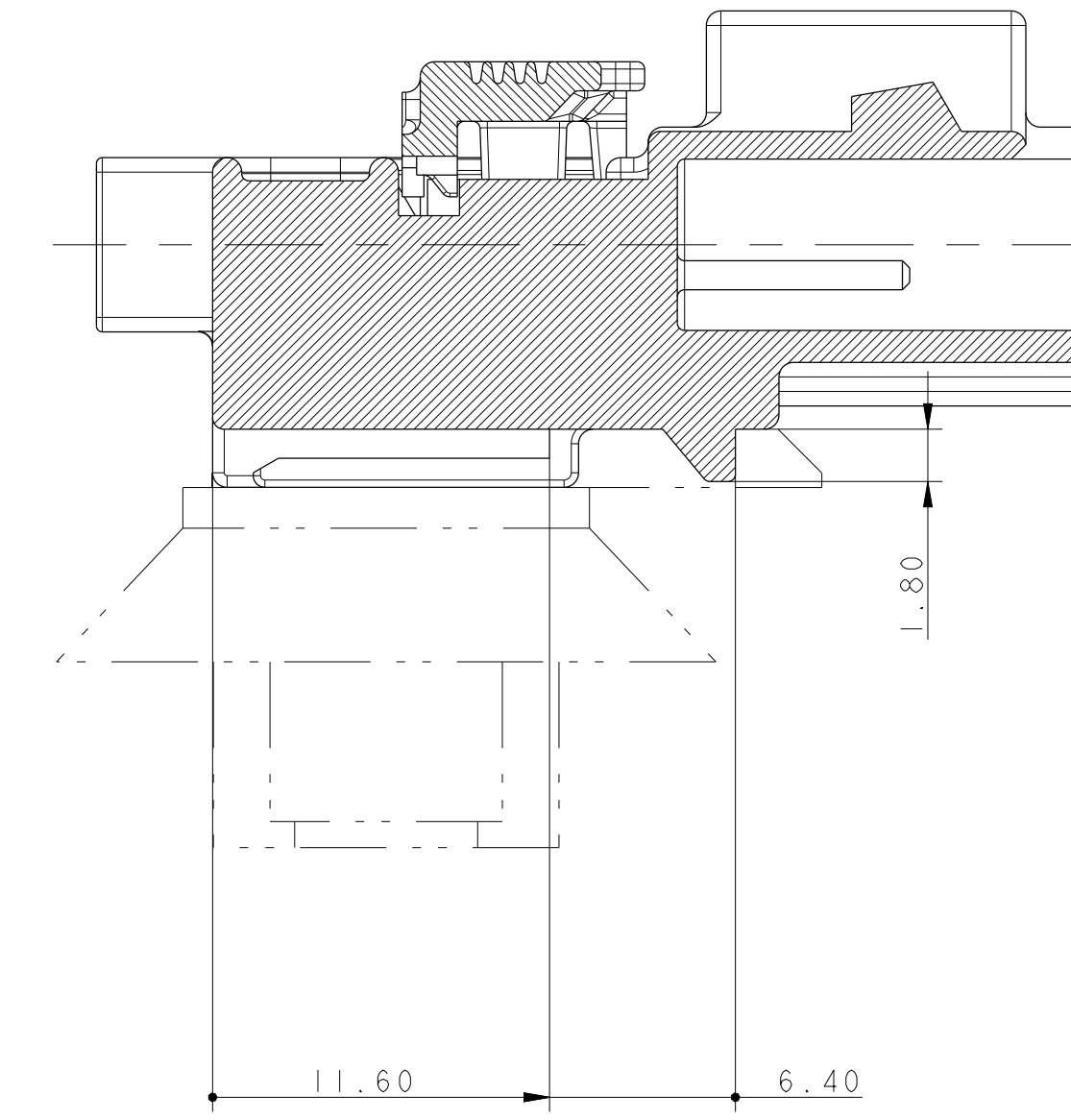


TABLE DES VERSIONS / VERSIONS LIST

COULEUR CODAGE CODING COLOUR	NOIR BLACK	BLEU BLUE	GRIS GREY	VIOLET PURPLE
REFERENCE DELPHI DELPHI P/N	10820234	10864752	33511079	33511080
INDICE REVISION	01	01	01	01
REFERENCE MVL MVL P/N	250 PL 10 9 S 0 001	250 PL 10 9 S 6 001	250 PL 10 9 S 8 001	250 PL 10 9 S 7 001
INDICE REVISION	A	A	A	A

NOTE: LE MODELE REPRESENTE EST LE CODAGE NOIR  
NOTE: THE SHOWN VERSION IS THE BLACK ONE

ECO NO.	POSITION	CHANGE DESCRIPTION
		INITIAL RELEASE

PROJETS	PROJETS	PROJETS	PROJETS	PROJETS
DESIGN	DESIGN	DESIGN	DESIGN	DESIGN
REVISED	REVISED	REVISED	REVISED	REVISED
DATE	DATE	DATE	DATE	DATE
BY	BY	BY	BY	BY
FOR	FOR	FOR	FOR	FOR

DELPHI

10-WAY MALE CONNECTOR PCC0831077

FLEX CONNECTOR MODPACK

STATE: SERIAL RELEASED

DATE: 2013-11-01

BY: [Signature]

FOR: [Signature]

NOTE: Ce plan étant un extrait du plan de définition, on fera référence pour tout litige au plan de définition. Toute cote non respectée sur un lot devra être refusée au lot.  
NOTE: The present drawing being an abstract of the definition drawing, any dispute will be referred to the definition drawing. Any wrong dimension of one part in one batch will entail rejection of the whole batch.

## X-ON Electronics

Largest Supplier of Electrical and Electronic Components

*Click to view similar products for [Automotive Connectors](#) category:*

*Click to view products by [APTIV](#) manufacturer:*

Other Similar products are found below :

[003-018-000](#) [60403001](#) [60993906-B](#) [629515004020001](#) [M902-2131](#) [M902-2161](#) [72.330.1035.1](#) [73.353.4028.0](#) [F119300-B](#) [F166900](#)  
[F258300-B](#) [F358300-B](#) [F407400](#) [F444110](#) [F487000](#) [F509500B-B](#) [827153-1](#) [8N1515-32-24P](#) [9-1326729-8](#) [925474-1](#) [928905-1](#) [964562-4](#)  
[968782-1](#) [GT17SA-8DS-HU](#) [98891-1012](#) [98947-1016](#) [12004475-L](#) [12010290](#) [12010309-B](#) [12015454](#) [12020219-B](#) [12020308](#) [12041318-B](#)  
[12052225-L](#) [12052466](#) [12059125](#) [12064869](#) [12004327-B](#) [12010503-B](#) [12015308](#) [12015384](#) [12015909](#) [1-21030-1](#) [12041254](#) [12041318](#)  
[12047946-B](#) [12047957](#) [12047957-L](#) [12059473](#) [12066261](#)