

Coupling connectors

DuoTwin / DCS-2

17 way coupling housing for 0.64 + 1.5 + 2.8 mm terminals

Features

- 17 position housing
- Triple row connector
- Lateral secondary lock for terminal position assurance (T.P.A.)
- Go-No Go housing locking principle
- Mechanical polarization
- Several colours available



Performance characteristics

- Temperature range:
from -40°C to +120°C
- Contact retention force:
> 50 N for DuoTwin 0.64 mm terminals
> 55 N for DCS-2 1.5 mm terminals
> 80 N for DCS-2 2.8 mm terminals
- Contact insertion force:
< 2 N for DuoTwin 0.64 mm terminals
< 10 N for DCS-2 1.5 mm terminals
< 15 N for DCS-2 2.8 mm terminals
- Connector mating force: < 100 N

Construction

- Housing material: PBT

Tooling

- Terminal removal tool: Consult us
- Mini applicator: Consult us

Connector compatibility

- Usable terminals:
 - DuoTwin 0.64 mm female terminals
 - DCS-2 1.5 mm terminals
 - DCS-2 2.8 mm terminals

Part Numbers	No. of position	Terminal size	Code	Type	Colour
3 023 28 01	17	14 x [0.64 mm] + 2 x [1.5 mm] + 1 x [2.8 mm]	1	Female housing	Black
3 023 28 02	17	14 x [0.64 mm] + 2 x [1.5 mm] + 1 x [2.8 mm]	1	Female housing	Dark-Brown
3 023 28 06	17	14 x [0.64 mm] + 2 x [1.5 mm] + 1 x [2.8 mm]	1	Female housing	White
3 023 28 12	17	14 x [0.64 mm] + 2 x [1.5 mm] + 1 x [2.8 mm]	2	Female housing	Brown
3 023 28 17	17	14 x [0.64 mm] + 2 x [1.5 mm] + 1 x [2.8 mm]	2	Female housing	Green
3 023 28 23	17	14 x [0.64 mm] + 2 x [1.5 mm] + 1 x [2.8 mm]	3	Female housing	Red
3 023 28 28	17	14 x [0.64 mm] + 2 x [1.5 mm] + 1 x [2.8 mm]	3	Female housing	Grey
3 023 28 30	17	14 x [0.64 mm] + 2 x [1.5 mm] + 1 x [2.8 mm]	4	Female housing	Orange
3 023 28 35	17	14 x [0.64 mm] + 2 x [1.5 mm] + 1 x [2.8 mm]	4	Female housing	Blue



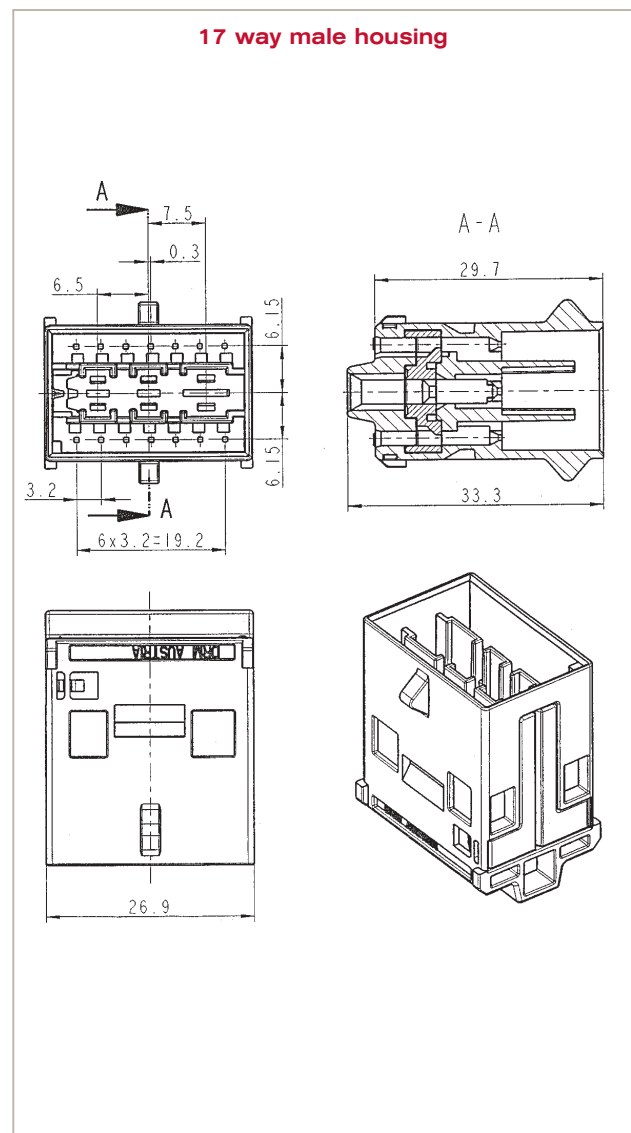
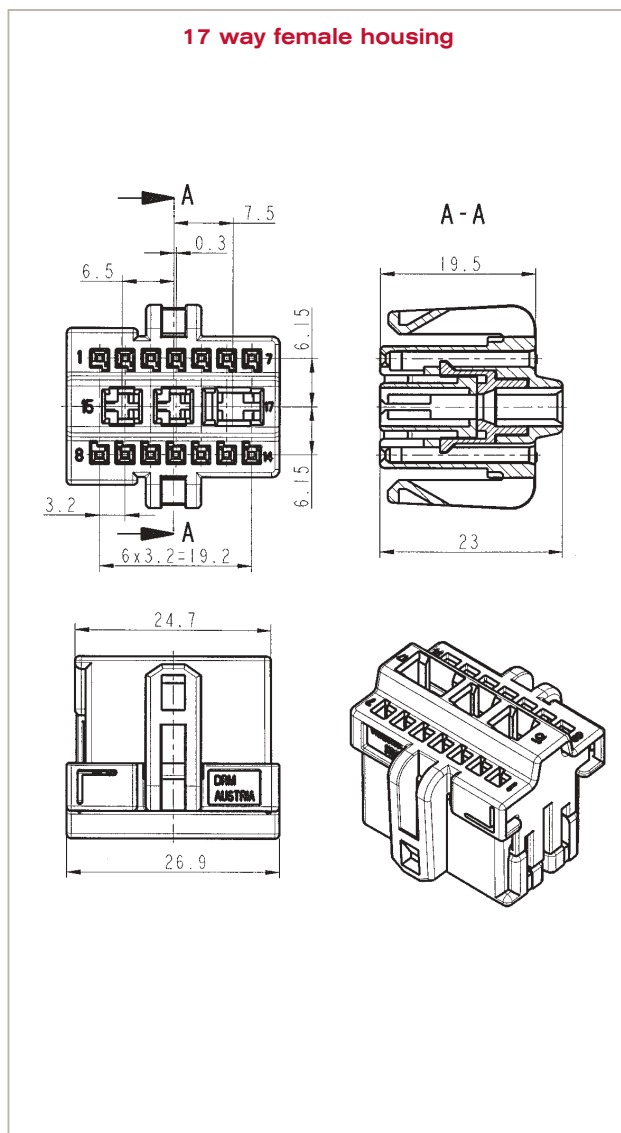
Coupling connectors

DuoTwin / DCS-2

17 way coupling housing for 0.64 + 1.5 + 2.8 mm terminals

Part Numbers	No. of position	Terminal size	Code	Type	Colour
3 033 08 01	17	14 x [0.64 mm] + 2 x [1.5 mm] + 1 x [2.8 mm]	1	Male housing	Black
3 033 08 02	17	14 x [0.64 mm] + 2 x [1.5 mm] + 1 x [2.8 mm]	1	Male housing	Dark-Brown
3 033 08 06	17	14 x [0.64 mm] + 2 x [1.5 mm] + 1 x [2.8 mm]	1	Male housing	White
3 033 08 12	17	14 x [0.64 mm] + 2 x [1.5 mm] + 1 x [2.8 mm]	2	Male housing	Brown
3 033 08 17	17	14 x [0.64 mm] + 2 x [1.5 mm] + 1 x [2.8 mm]	2	Male housing	Green
3 033 08 23	17	14 x [0.64 mm] + 2 x [1.5 mm] + 1 x [2.8 mm]	3	Male housing	Red
3 033 08 28	17	14 x [0.64 mm] + 2 x [1.5 mm] + 1 x [2.8 mm]	3	Male housing	Grey
3 033 08 30	17	14 x [0.64 mm] + 2 x [1.5 mm] + 1 x [2.8 mm]	4	Male housing	Orange
3 033 08 35	17	14 x [0.64 mm] + 2 x [1.5 mm] + 1 x [2.8 mm]	4	Male housing	Blue

Dimensional characteristics



X-ON Electronics

Largest Supplier of Electrical and Electronic Components

Click to view similar products for [Automotive Connectors](#) category:

Click to view products by [APTIV](#) manufacturer:

Other Similar products are found below :

[003-018-000](#) [60403001](#) [60993906-B](#) [629515004020001](#) [M902-2131](#) [M902-2161](#) [72.330.1035.1](#) [73.353.4028.0](#) [F119300-B](#) [F166900](#)
[F258300-B](#) [F358300-B](#) [F407400](#) [F444110](#) [F487000](#) [F509500B-B](#) [827153-1](#) [8N1515-32-24P](#) [9-1326729-8](#) [925474-1](#) [928905-1](#) [964562-4](#)
[968782-1](#) [GT17SA-8DS-HU](#) [98891-1012](#) [98947-1016](#) [12004475-L](#) [12010290](#) [12010309-B](#) [12015454](#) [12020219-B](#) [12020308](#) [12041318-B](#)
[12052225-L](#) [12052466](#) [12059125](#) [12064869](#) [12004327-B](#) [12010503-B](#) [12015308](#) [12015384](#) [12015909](#) [1-21030-1](#) [12041254](#) [12041318](#)
[12047946-B](#) [12047957](#) [12047957-L](#) [12059473](#) [12066261](#)