



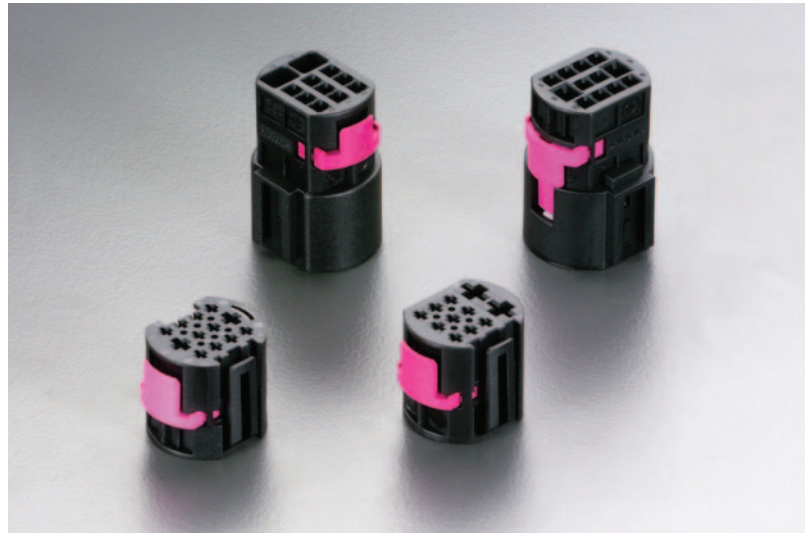
Coupling connectors

DCS-2 / HPCS / 4.8 mm

11 & 12 way coupling housings for 1.5 + 2.8 + 4.8 mm terminals

Features

- High density male and female connector
- Tripple row connector 4 x 5.2mm pitch
- Lateral secondary lock for terminal position assurance (T.P.A)
- Go-No-Go housing locking principle
- Mechanical polarization
- 12 way male housing can be equipped with a shorting clip



Performance characteristics

- Temperature range: from -40°C to +120°C
- Contact retention force: > 55 N for DCS-2 1.5 mm terminals > 80 N for DCS-2 2.8 mm terminals
- Contact insertion force: < 10 N for DCS-2 1.5 mm terminals < 15 N for DCS-2 2.8 mm terminals
- Connector mating force: Consult us

Construction

- Housing material: PBT

Tooling

- Mini applicator: Consult us

Connector compatibility

- Usable terminals:
 - DCS-2 1.5 mm terminals
 - DCS-2 2.8 mm male terminals
 - 4.8 mm terminals
 - HPCS 2.8 mm female terminals

Part Numbers	No. of position	Terminal size	Type	Colour
3 023 40 01	11	9 x [1.5 mm] + 2 x [4.8 mm]	Female housing	Black
3 033 11 01	11	9 x [1.5 mm] + 2 x [4.8 mm]	Male housing	Black
6 023 13 01	12	10 x [1.5 mm] + 2 x [2.8 mm]	Female housing	Black
6 033 00 01	12	10 x [1.5 mm] + 2 x [2.8 mm]	Male housing	Black



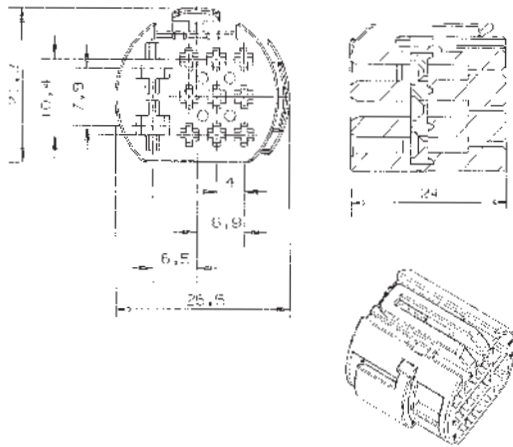
Coupling connectors

DCS-2 / HPCS / 4.8 mm

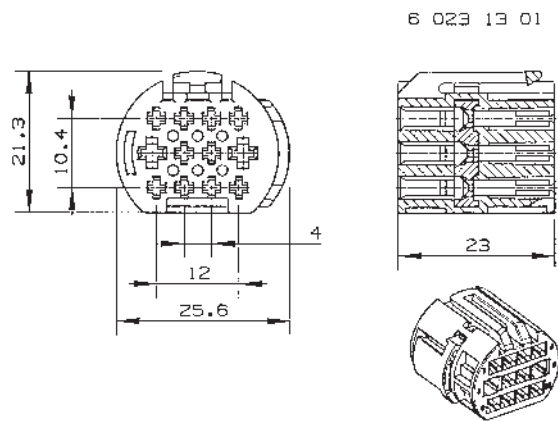
11 & 12 way coupling housings for 1.5 + 2.8 + 4.8 mm terminals

Dimensional characteristics

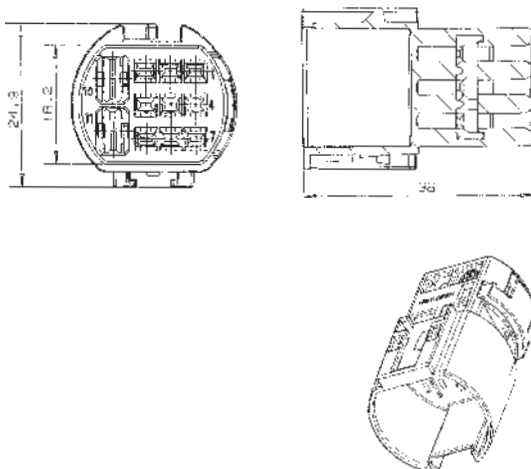
11 way female housing



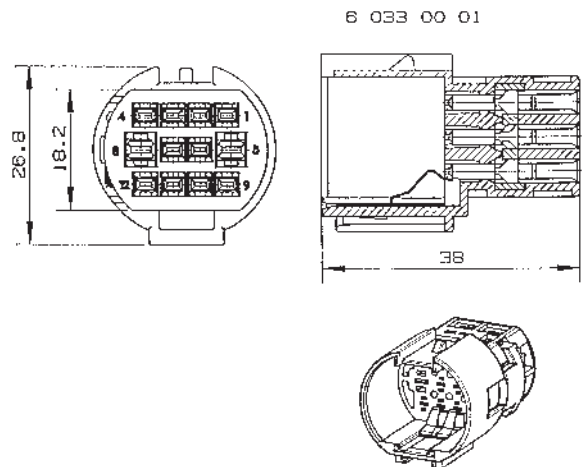
12 way female housing



11 way male housing



12 way male housing



Direct Links ...

- Cross Reference
- RoHS/LF P/N search
- Document & Drawing search
- Application tooling

Services ...

- Contact us
- Distributor list
- Pricing request
- Order samples

Literature ...

- Brochures & catalogs
- Product documentation
- Technical library

Start > Search=60231301* > **60231301**

60231301



60231301

12 way coupling Female Housing

ACTIVE

[Customer Drawing](#)

Automotive division

[Assistant](#) [Add to Favorites](#)

[Email Datasheet](#) [Print Datasheet](#)

FCI Brings You More

- [Contact our sales/technical support](#)
- [Sample request](#)
- [Price request](#)

Mating Half

[60330001](#)

Specifications

General Physical Terminal 1 Type Terminal 2 Type Environmental Other Features

General

Application	Wire to Wire
Ways	12
Coding version	Black
Product Type	Housing

Coding	Yes
Family	Wire to Wire
Features	Mechanical Polarization Lateral Secondary Lock for Terminal Position Assurance (T.P.A.) Go - No - Go Housing Locking Principle High Density Connector
Hybrid	Yes
Main Terminal family	DCS-2
Main Terminal size	1.5 mm
Sealed	No
Terminal Size	10x1.5+2x2.8
Physical	
Color	Black
Material	PBT
Temperature (Range)	-40°C to +120°C
Terminal 1 Type	
Terminal type 1	DCS-2 Female 1.5 mm Terminal
Ways for Terminal Type 1	10
Contact insertion force for Terminal Type 1	< 10N
Contact Pitch for Terminal Type 1	4x5.2 mm
Retention force (Contact) for Terminal Type 1	> 55N
Terminal 2 Type	
Terminal type 2	DCS-2 Female 2.8 mm Terminal
Ways for Terminal Type 2	2
Contact insertion force for Terminal Type 2	< 15N
Retention force (Contact) for Terminal Type 2	> 80N
Environmental	
IMDS	Yes
Other Features	
Type	Female
Disclaimer	Displayed data is for information purposes only. For more information, please contact your local sales office. The supply of some products might be limited to some customers.

X-ON Electronics

Largest Supplier of Electrical and Electronic Components

Click to view similar products for [Automotive Connectors](#) category:

Click to view products by [APTIV](#) manufacturer:

Other Similar products are found below :

[003-018-000](#) [60993906-B](#) [M902-2131](#) [M902-2161](#) [M902-2344](#) [72.330.1035.1](#) [73.353.4028.0](#) [F166900](#) [F358300-B](#) [F407400](#) [776880-1](#)
[827153-1](#) [8N1515-32-24P](#) [9-1326729-8](#) [925474-1](#) [928905-1](#) [964562-4](#) [968782-1](#) [98891-1012](#) [12004475-L](#) [12020308](#) [12041318-B](#)
[12052466](#) [12064869](#) [12015909](#) [1-21030-1](#) [12041254](#) [12041318](#) [12047946-B](#) [12110546-B](#) [12131792](#) [12084688](#) [12092346](#) [HD34-18-14PT](#)
[HD46-24-23SN-059](#) [HDB36-24-16PN-059](#) [HDP26-24-9SE-L015](#) [12185280](#) [12185550](#) [12336-12](#) [12191172-B](#) [12S](#) [13545280](#) [13577943](#)
[13681974](#) [13737722-B](#) [13830674](#) [13832576](#) [13849772](#) [13542772](#)