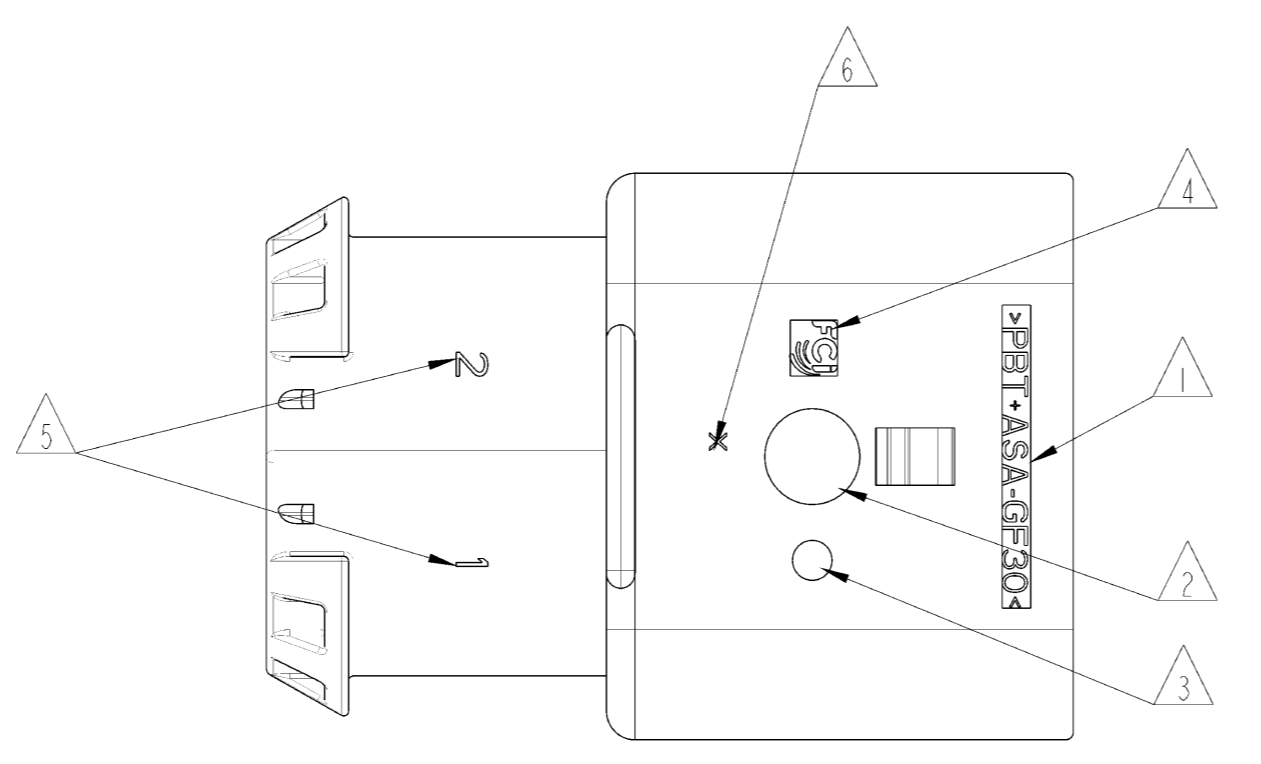


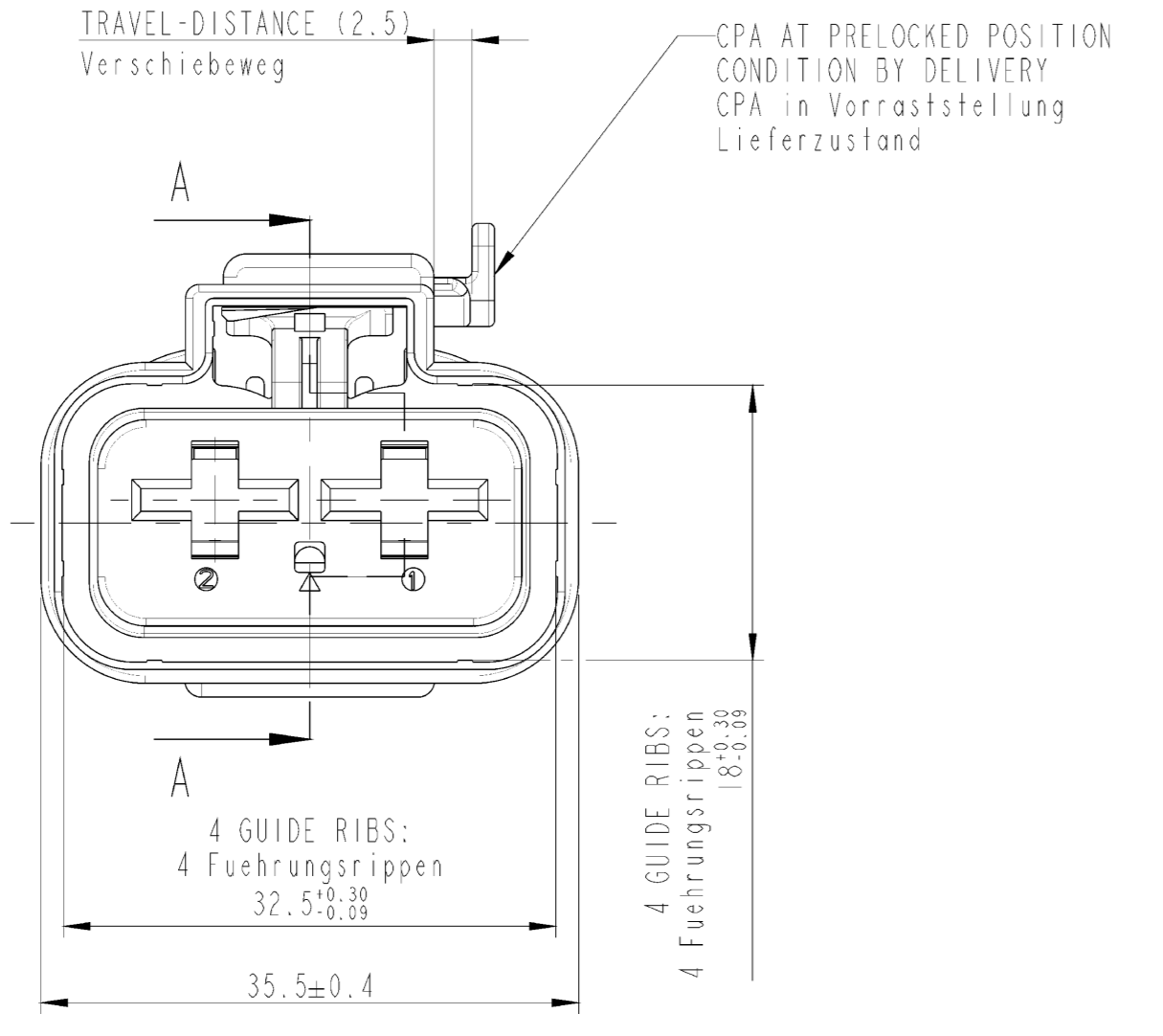
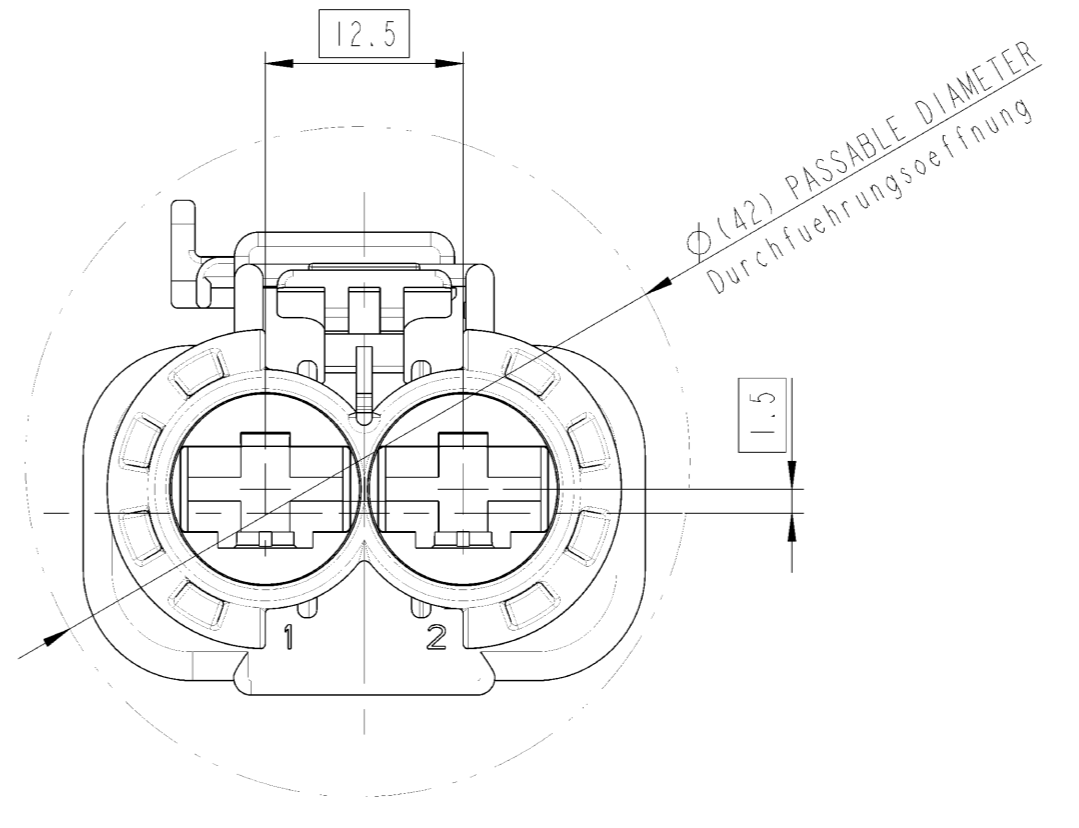
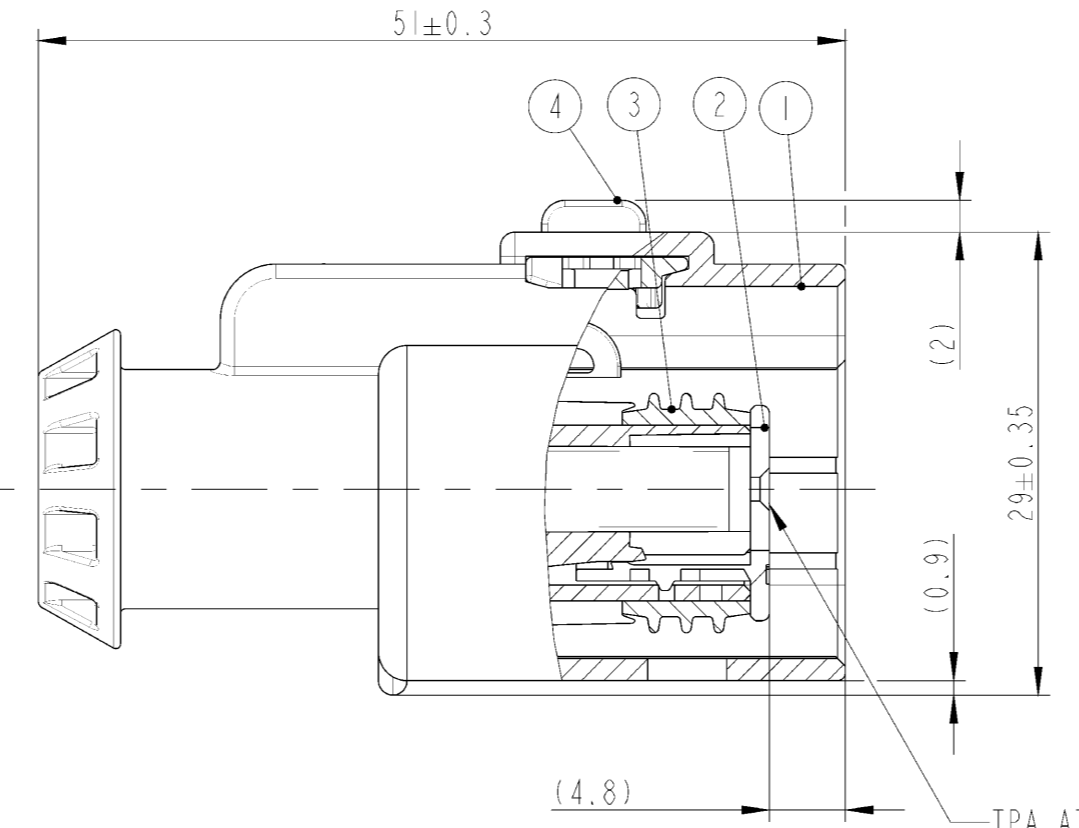
DWG STATUS					REVISION HISTORY		AUTH	DR	APVD1	APVD2	
DATE	STG	REV	N/P	CHG	ZONE						
13DE05	R	01	AA	-	-	INITIAL DRAWING RELEASE		-	PMU	RDE	DPL
07DE12	R	01	AB	-	-	DRAWING UPDATED TO SUPPLIER'S LATEST PRINT		-	AWC	MST	RDE

NOTES / Bemerkungen:

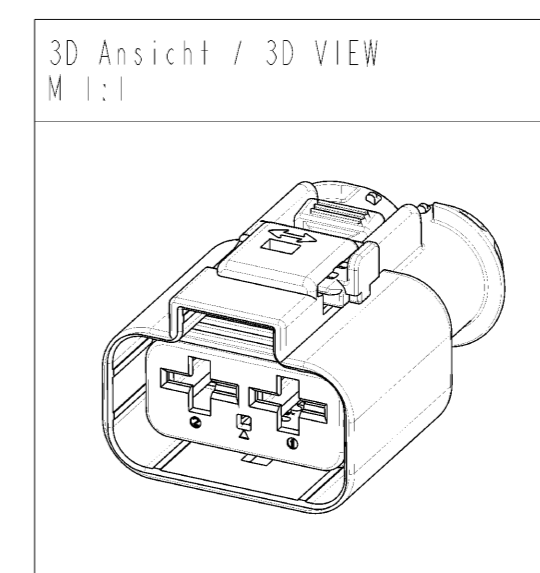
⚠	MATERIAL IDENTIFICATION CODE ACC. VDA260 Materialkennzeichnung nach VDA260
⚠	DATE CLOCK Datumstempel
⚠	MOULD CAVITY MARK Nestmarkierung
⚠	FCI COMPANY LOGO FCI Firmenlogo
⚠	TERMINAL CAVITY-NO. Kammernummerierung
⚠	PART REVISION INDEX Teiländerungsindex
⚠	NOT FOR NEW APPLICATION Nicht fuer Neuanwendungen
8	ONLY THE GERMAN LANGUAGE SHALL BE BINDING Nur der deutsche Text ist bindend



SECTION A-A
SCHNITT A-A



TPA AT LOCKED POSITION
CONDITION BY DELIVERY
Verriegelung in Endraststellung
Lieferzustand



DESCRIPTION Benennung	FCI PART-NO. FCI Teilentr.	WIRE CROSS SECTION (mm²) Leitungsquerschnitt(mm²)	MATERIAL / SURFACE Werkstoff / Oberflaeche	PART NO. Teilentr.	FOR INSULATION Ø(mm) fuer Isolations Ø(mm)	COLOR Farbe	MATERIAL Werkstoff	CRIMP SPEC Crimpspezifikation
2x FEMALE TERMINAL BOX 9.5mm (FCI)								
Sn VERSION	F682210	>8.00 - 10.00	CONTACT BODY: Cu Cr Si Ti / Sn Rm 470 N/mm²	6 099 33 04	5.4 - 6.6	YELLOW / gelb	SILICON	9 084 16 00
	6 007 04 71			6 099 33 01	4.0 - 5.5	BLACK / schwarz		
	F582210	>4.00 - 6.00	6 099 33 01	4.0 - 5.5	BLACK / schwarz	SILICON		
	6 007 04 61		6 099 33 08	3.4 - 4.4	OR OR / or GREEN / green	SILICON		
	F582210	>2.50 - 4.00	6 099 33 01	4.0 - 5.5	BLACK / schwarz	SILICON		
6 007 04 51		6 099 33 08	3.4 - 4.4	OR OR / or GREEN / green	SILICON			
	6 007 10 41	>1.50 - 2.50		6 099 33 05	2.7 - 3.0	BLAU / blue	SILICON	
				6 099 33 06	BLIND-PLUG Blindstopfen	WHITE weiss	SILICON	
SUITABLE TERMINALS Geignete Kontakte				SUITABLE SINGLE WIRE SEAL Geignete Einzeladerdruehungen				

FCI - PART-NO. FCI-Teilentr.	ASSEMBLY NAME Baugruppe-Benennung	ITEM Position	QTY Menge	COMPONENT NAME Teile-Benennung	MATERIAL Material	COLOR Farbe	COUNTER PART Gegenstück
3 040 10 11	2WAY FEMALE CONNECTOR 2pol. Buchstengesteck	4	1	CPA	PBT-GF10	YELLOW gelb	
		3	1	SEAL Dichtung	SILICON	RED rot	9 302 01 01
		2	1	TPA Kontaktsicherung	PBT-GF10	BLACK schwarz	
		1	1	2-WAY FEMALE HOUSING	PBT-ASA-GF30	BLACK schwarz	

12-00450 L1-4 Note 7 added
D-15 New part number F682210 added
D-15 New part number F582210 added

FCI NO. 30401011

DELPHI

30401011C SERIAL RELEASED

30401011

NOTE 1: DRAWING FOR REFERENCE ONLY.
NOTE 2: PART(S) listed on this drawing shall comply with:
a) Delphi Customer Specific Requirements For Use with ISO/TS 16949:2009 and ISO 9001:2008
b) OEM Customer Specific Requirements For Use with ISO/TS 16949:2009
c) OEM Customer Technical Requirements

DELPHI
DELPHI PACKARD ELECTRIC SYSTEMS - POLAND 30 - 399 KRAKOW

THIS DRAWING IS THE PROPERTY OF DELPHI CORPORATION. NO RIGHTS ARE GRANTED TO USE THIS DRAWING FOR ANY PURPOSE OTHER THAN THE FURNISHING OF SERVICES AND SUPPLIES TO DELPHI CORPORATION.

DR	DATE
A.WCISLO	07DE12
M.STEPIEN	07DE12
R.DEKA	07DE12

ISSUE NO. 1 OF 1

SEE DRAWING

ASM CONN 2 F 9.5 SLD

13569074

DATE: 07DE12

13569074	01	AB	ACTIVE	3 040 10 11	E
PART NO	REV	N/P	GLOBAL STATUS	SUP PN	SUP REV

13569074	01	AB	ACTIVE	3 040 10 11	E
PART NO	REV	N/P	GLOBAL STATUS	SUP PN	SUP REV

X-ON Electronics

Largest Supplier of Electrical and Electronic Components

Click to view similar products for [Automotive Connectors](#) category:

Click to view products by [APTIV](#) manufacturer:

Other Similar products are found below :

[003-018-000](#) [60403001](#) [60993906-B](#) [629515004020001](#) [M902-2131](#) [M902-2161](#) [72.330.1035.1](#) [73.353.4028.0](#) [F119300-B](#) [F166900](#)
[F258300-B](#) [F358300-B](#) [F407400](#) [F444110](#) [F487000](#) [F509500B-B](#) [827153-1](#) [8N1515-32-24P](#) [9-1326729-8](#) [925474-1](#) [928905-1](#) [964562-4](#)
[968782-1](#) [GT17SA-8DS-HU](#) [98891-1012](#) [98947-1016](#) [12004475-L](#) [12010290](#) [12010309-B](#) [12015454](#) [12020219-B](#) [12020308](#) [12041318-B](#)
[12052225-L](#) [12052466](#) [12059125](#) [12064869](#) [12004327-B](#) [12010503-B](#) [12015308](#) [12015384](#) [12015909](#) [1-21030-1](#) [12041254](#) [12041318](#)
[12047946-B](#) [12047957](#) [12047957-L](#) [12059473](#) [12066261](#)