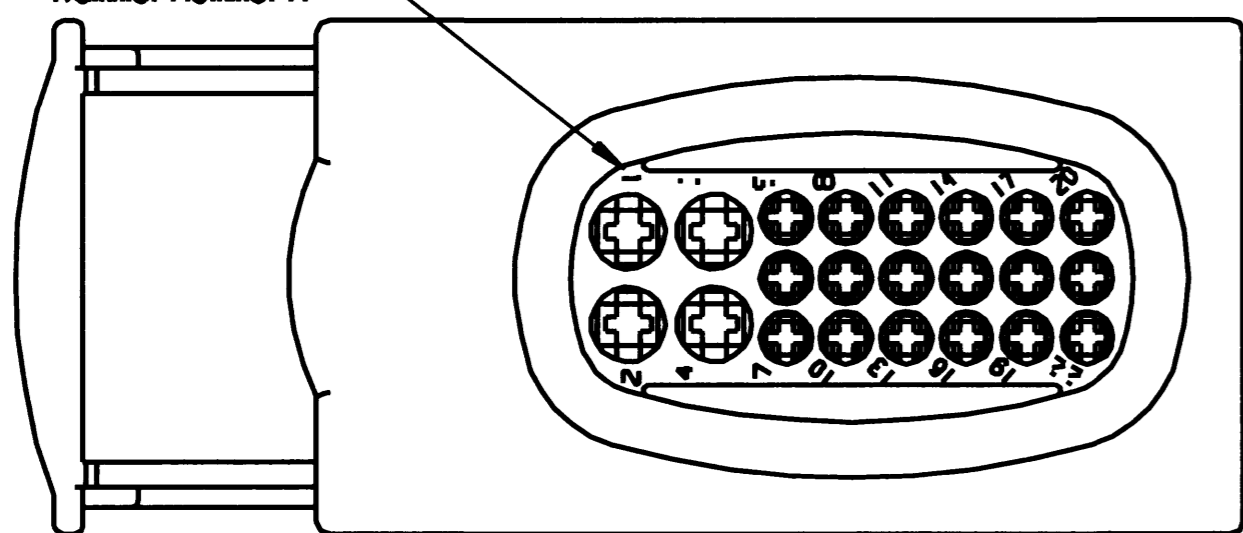
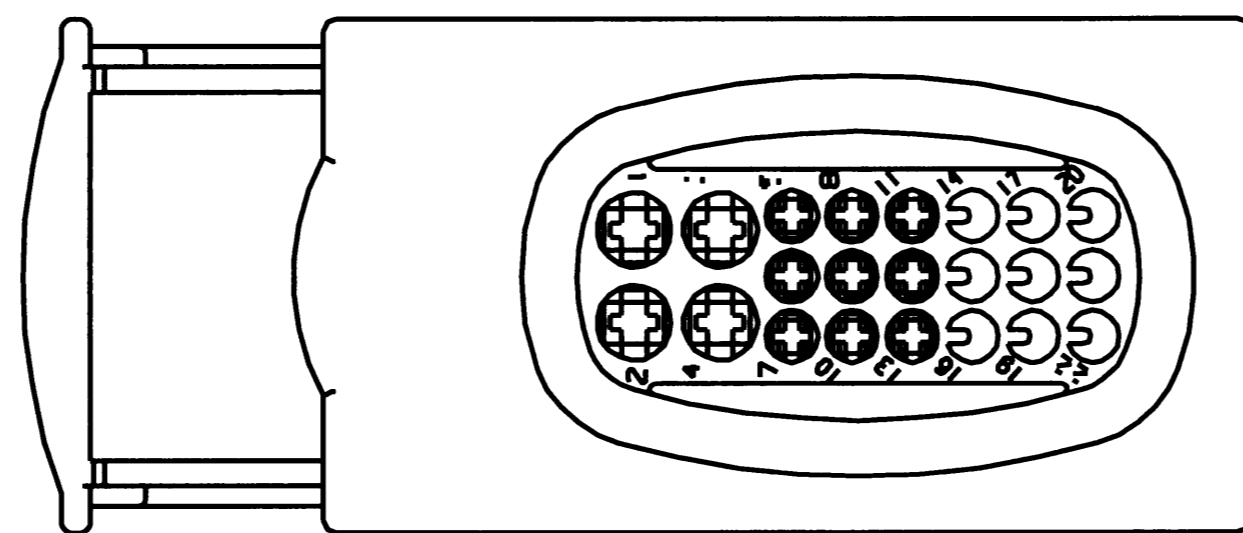


22-WAY FEMALE HOUSING
22-poliges Buchsengehäuse
OPEL-PART-NO. ZFW22-1, FCI-NO. 3 043 03 01

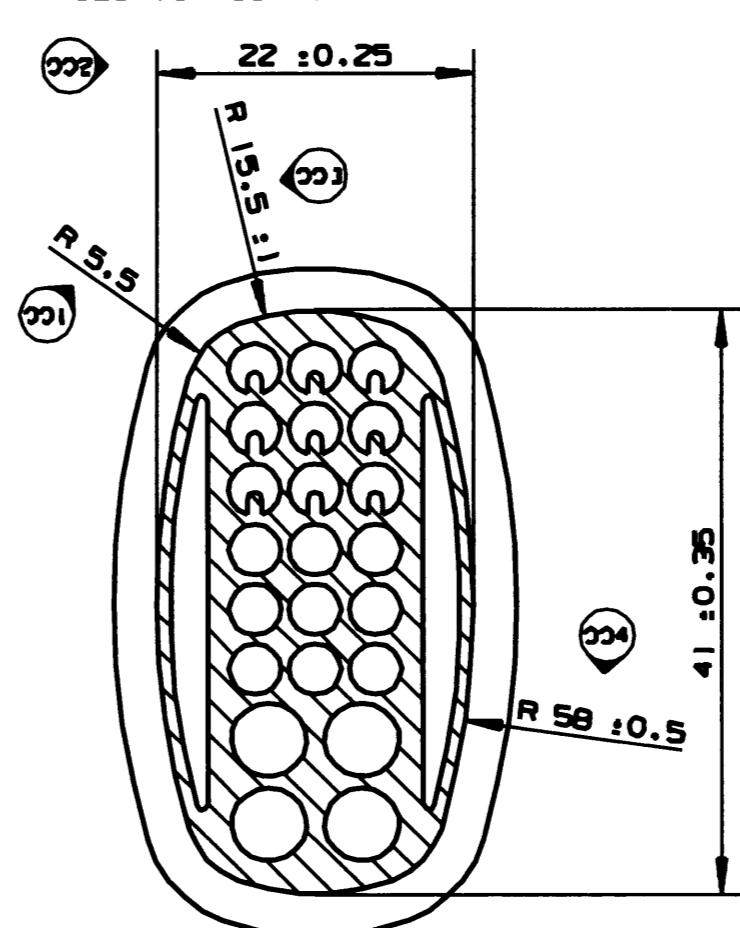
CAVITY-NUMBERS
Kammernummern



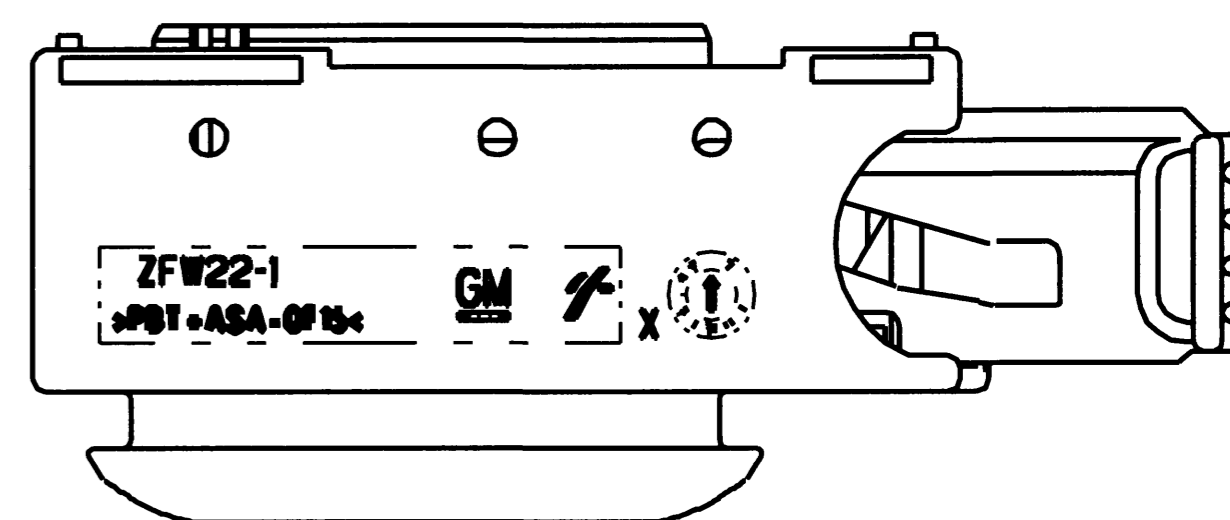
13-WAY FEMALE HOUSING:
CAVITY-NO. 14 TO 22 CLOSED ('BLIND CAVITIES')
13-poliges Buchsengehäuse:
Kammer-Nr. 14 bis 22 geschlossen ('Blindkammern')
OPEL-PART-NO. ZFW13-3, FCI-NO. 3 043 03 11



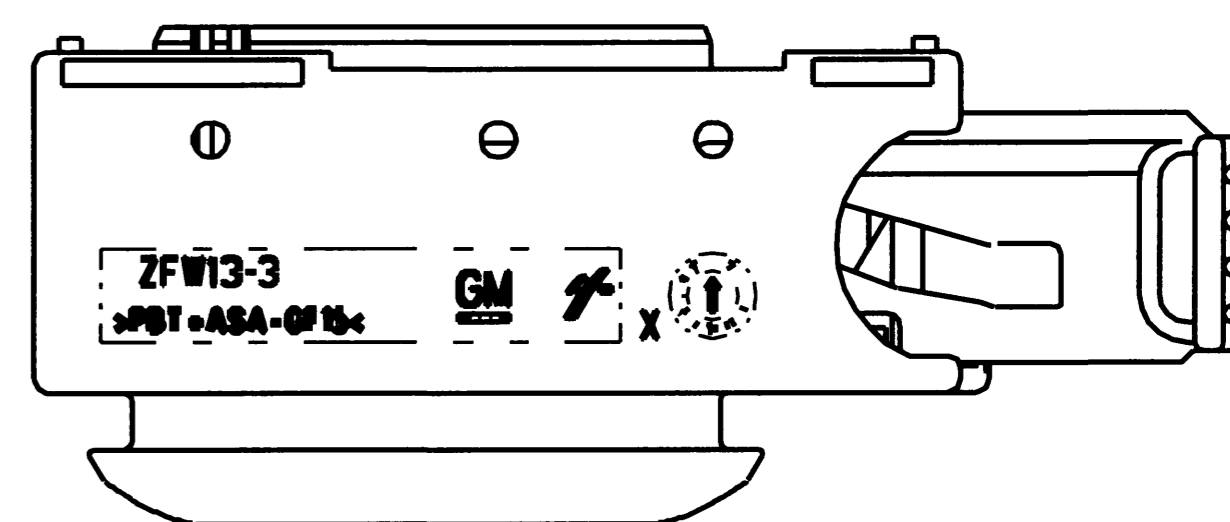
SECTION/SCHNITT A-A



22-WAY FEMALE HOUSING
22-poliges Buchsengehäuse
OPEL-PART-NO. ZFW22-1, FCI-NO. 3 043 03 01

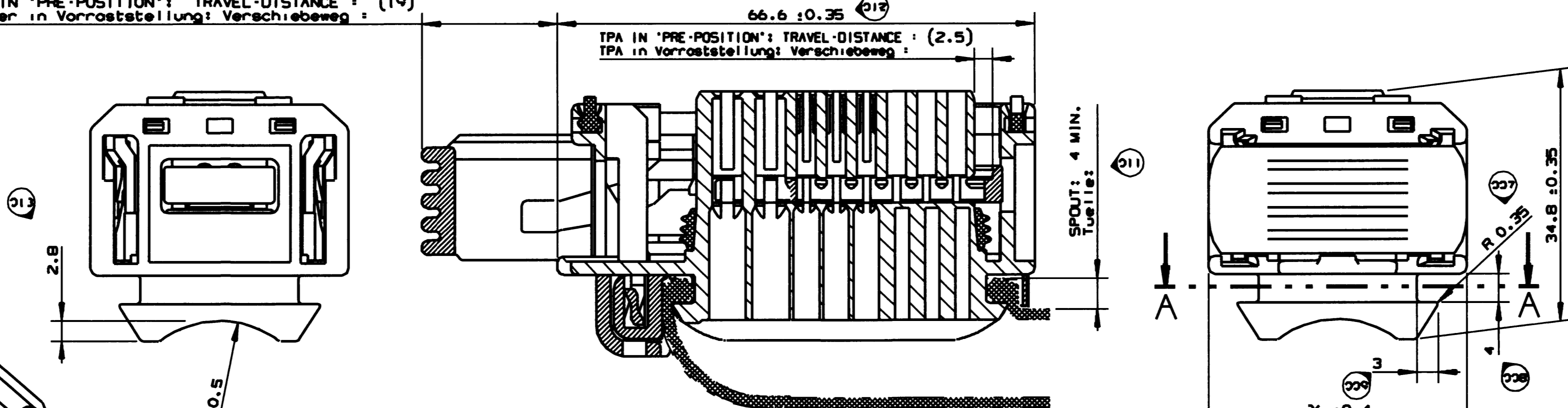


13-WAY FEMALE HOUSING:
CAVITY-NO. 14 TO 22 CLOSED ('BLIND CAVITIES')
13-poliges Buchsengehäuse:
Kammer-Nr. 14 bis 22 geschlossen ('Blindkammern')
OPEL-PART-NO. T.B.E., FCI-NO. 3 043 03 11



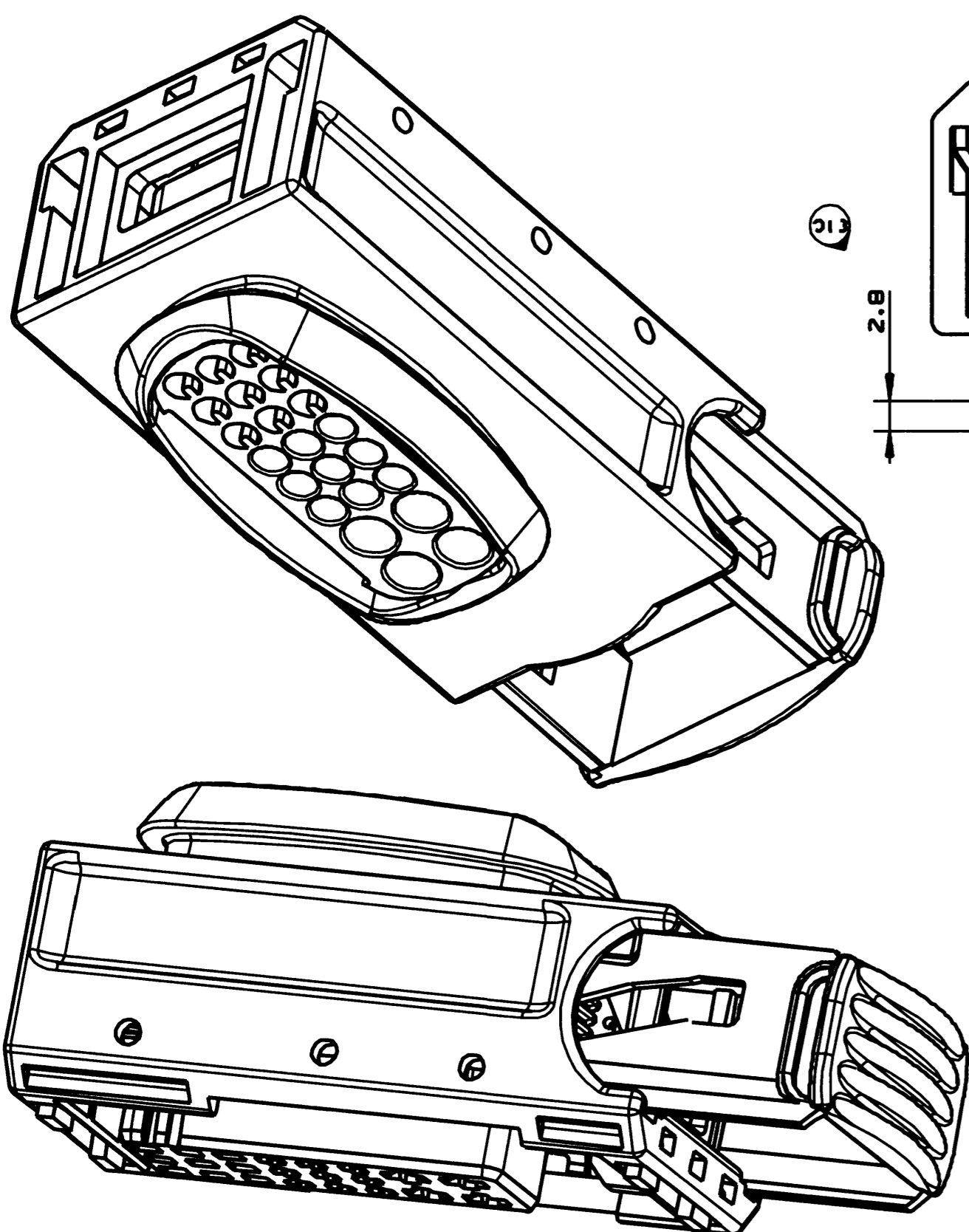
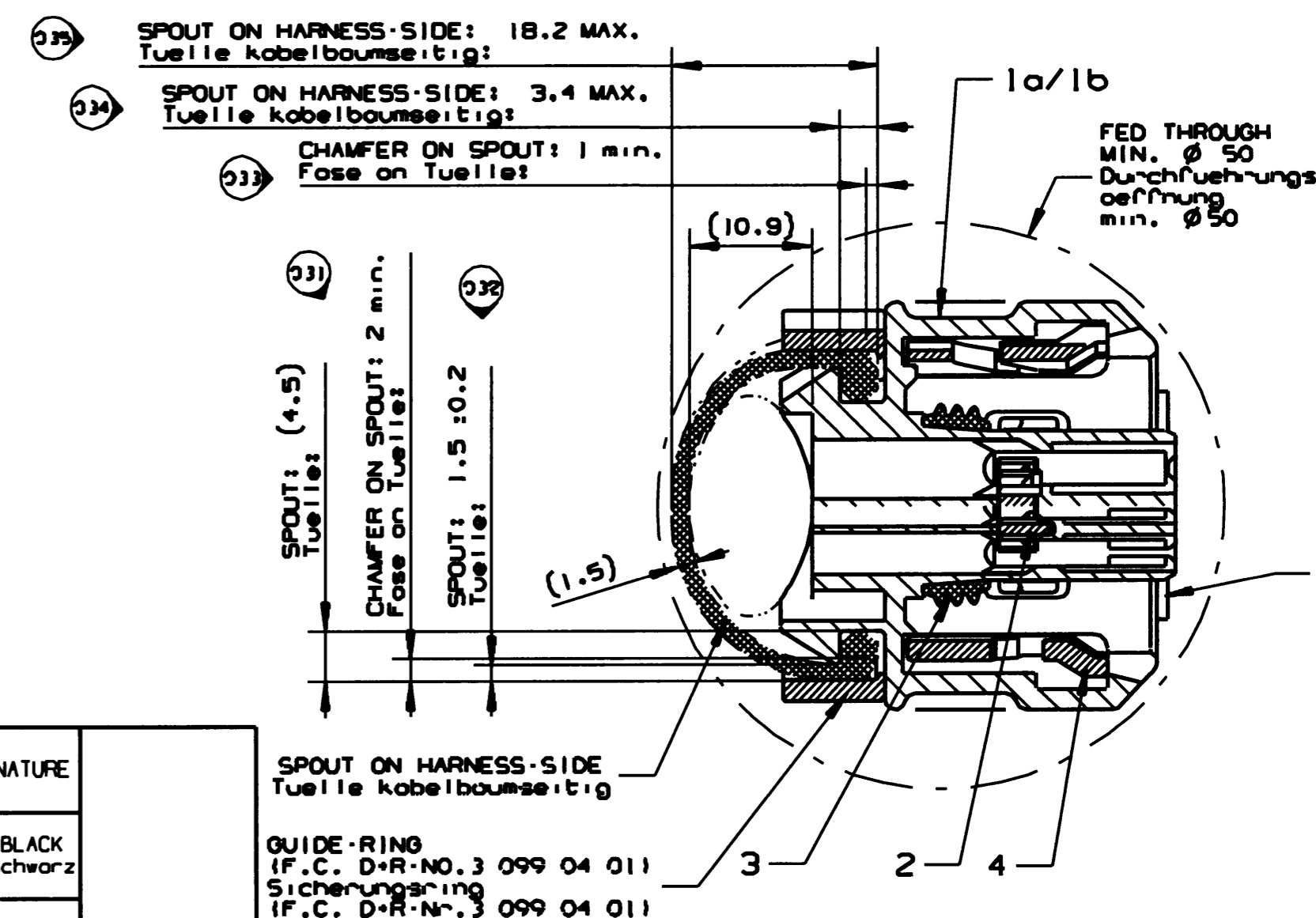
SLIDE IN 'PRE-POSITION': TRAVEL-DISTANCE: (19)
Schieber in Vorroststellung: Verschiebeweg: (19)

VIEW SHOWN WITH MOUNTED SPOUT (ON HARNESS-SIDE)
AND GUIDE-RING (OPEL-PART-NO. ZUH-199, FCI-NO. 3 099 04 01)
Ansicht dargestellt mit montierter Tülle (Kabelbaumseitig)
und Sicherungsring (OPEL-Teil-Nr. ZUH-199, FCI-Nr. 3 099 04 01)



SECTION/SCHNITT B-B

VIEW SHOWN WITH MOUNTED SPOUT (ON HARNESS-SIDE)
AND GUIDE-RING (OPEL-PART-NO. ZUH-199, FCI-NO. 3 099 04 01)
Ansicht dargestellt mit montierter Tülle (Kabelbaumseitig)
und Sicherungsring (OPEL-Teil-Nr. ZUH-199, FCI-Nr. 3 099 04 01)



DESCRIPTION	FCI-PART-NO.	TRAVEL-DISTANCE	CONTACT BODY: Grundfedern: LOCKING SPRING: Ueberfeder: X10 CrNi 18 8 / BLANK
HPCS 2.8 MM FEMALE TERM. WITH Ag-SURFACE	FCI-PART-NO. 6 001 33 42	>1.00 - 2.50	Grundfedern: Cu Fe 2 P F49 / Ag LOCKING SPRING: Ueberfeder: X10 CrNi 18 8 / BLANK
HPCS 2.8 MM FEMALE TERM. WITH Sn-SURFACE	FCI-PART-NO. 6 001 30 41	>1.00 - 2.50	Grundfedern: Cu Fe 2 P F49 / Sn LOCKING SPRING: Ueberfeder: X10 CrNi 18 8 / BLANK
SINGLE-WIRE SEAL FOR HPCS 2.8 MM USING 'FLR'-CABLE ACC. DIN 72551-6	FCI-PART-NO. 6 099 40 34	2.50	SILICON / YELLOW
	FCI-PART-NO. 6 099 40 23	1.50	SILICON / RED
	FCI-PART-NO. 6 099 40 15	0.22 - 1.00	SILICON / BLUE
DCS2 1.5 MM FEMALE TERM.	FCI-PART-NO. 6 000 06 31	0.50 - 1.00	CONTACT BODY: Grundfedern: Cu Fe 2 P F49 / Sn LOCKING SPRING: Ueberfeder: X10 CrNi 18 8 / BLANK
	FCI-PART-NO. 6 000 06 11	0.22 - 0.35	
SINGLE-WIRE SEAL FOR DCS2 1.5 MM USING 'FLR'-CABLE ACC. DIN 72551-6	FCI-PART-NO. 6 099 39 28	0.50 - 1.00	SILICON / GREY
	FCI-PART-NO. 6 099 39 13	0.35	SILICON / RED
DESCRIPTION	WIRE SIZE Drahtgrößen: herein!	MATERIAL / COLOUR MATERIAL / FARBE	

USABLE TERMINALS FOR THIS CONNECTOR
 Geeignete Kontakte über diesen Stecker

OPEL-DRAWING-NO.	OPEL-PART-NO.	FCI-PART-NO. & REV.	NO. OF ITEMS	ITEM POSITION	NAME	MATERIAL	CUSTOMER MATERIAL SPEC.	COLOUR	COMPONENT FRAME
Zerchungs-Nr.	Teil-Nr.	Teil-Nr. & Index	Anzahl	Position	Benennung	Material	Kunden Werkstoff Spez.	Farbe	Gegenstück
24 414 B57	ZFW13-3	3 043 03 11 D	2	2	BUFFER Gummpuffer	TPV 169; 51* Shore A	GM 0K003521	NATURE	
			1	1	SLIDER Schieber	PBT-GF30	GM 0K006615	BLACK schwarz	
			1	1	SEAL Dichtung	SILICON		RED rot	22-WAY MALE HOUSING FCI-NO. 3 053 02 01
			1	1	TPA Sek.verriegelung	PBT-GF10	GM 0K006612	VIOLET Violett	
			1	1b	13-WAY FEMALE HOUS. 13-pol. Buchsengeh.	PBT+ASA-GF15	GM 0K006612	BLACK Schwarz	13-WAY MALE HOUSING FCI-NO. 3 053 02 11
			1	1a	22-WAY FEMALE HOUS. 22-pol. Buchsengeh.	PBT+ASA-GF15	GM 0K006612	BLACK Schwarz	GUIDE-RING FOR SPOUT FCI-NO. 3 099 04 01
24 414 B42	ZFW22-1	3 043 03 01 D							

DATE	BY	REVISION	DESCRIPTION	DATE	BY	REVISION	DESCRIPTION
285/13	30.08.2013	E	customer material spec. added huffer material was TPE locking spring mat. was X12 Cr Ni 17 7				

DATE	BY	REVISION	DESCRIPTION	DATE	BY	REVISION	DESCRIPTION
09/02/08							

DATE	BY	REVISION	DESCRIPTION	DATE	BY	REVISION	DESCRIPTION
12/22-WAY FEMALE HOUSING							

X-ON Electronics

Largest Supplier of Electrical and Electronic Components

Click to view similar products for [Automotive Connectors](#) category:

Click to view products by [APTIV](#) manufacturer:

Other Similar products are found below :

[003-018-000](#) [60403001](#) [60993906-B](#) [629515004020001](#) [M902-2131](#) [M902-2161](#) [72.330.1035.1](#) [73.353.4028.0](#) [F119300-B](#) [F166900](#)
[F258300-B](#) [F358300-B](#) [F407400](#) [F444110](#) [F487000](#) [F509500B-B](#) [827153-1](#) [8N1515-32-24P](#) [9-1326729-8](#) [925474-1](#) [928905-1](#) [964562-4](#)
[968782-1](#) [GT17SA-8DS-HU](#) [98891-1012](#) [98947-1016](#) [12004475-L](#) [12010290](#) [12010309-B](#) [12015454](#) [12020219-B](#) [12020308](#) [12041318-B](#)
[12052225-L](#) [12052466](#) [12059125](#) [12064869](#) [12004327-B](#) [12010503-B](#) [12015308](#) [12015384](#) [12015909](#) [1-21030-1](#) [12041254](#) [12041318](#)
[12047946-B](#) [12047957](#) [12047957-L](#) [12059473](#) [12066261](#)