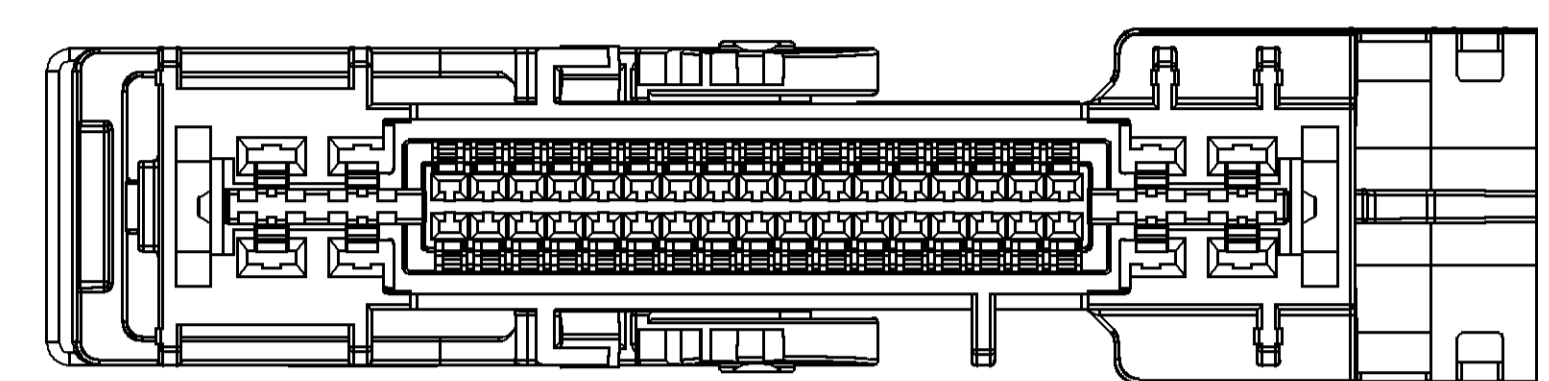
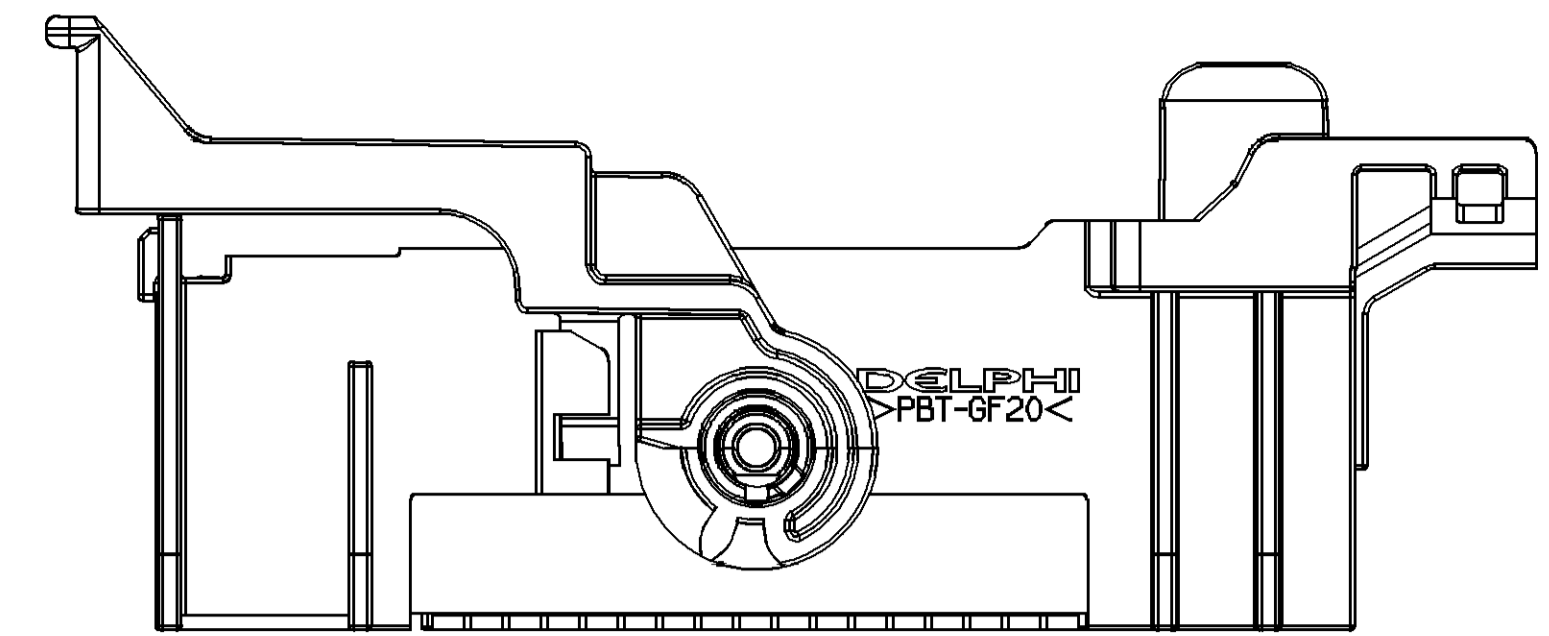
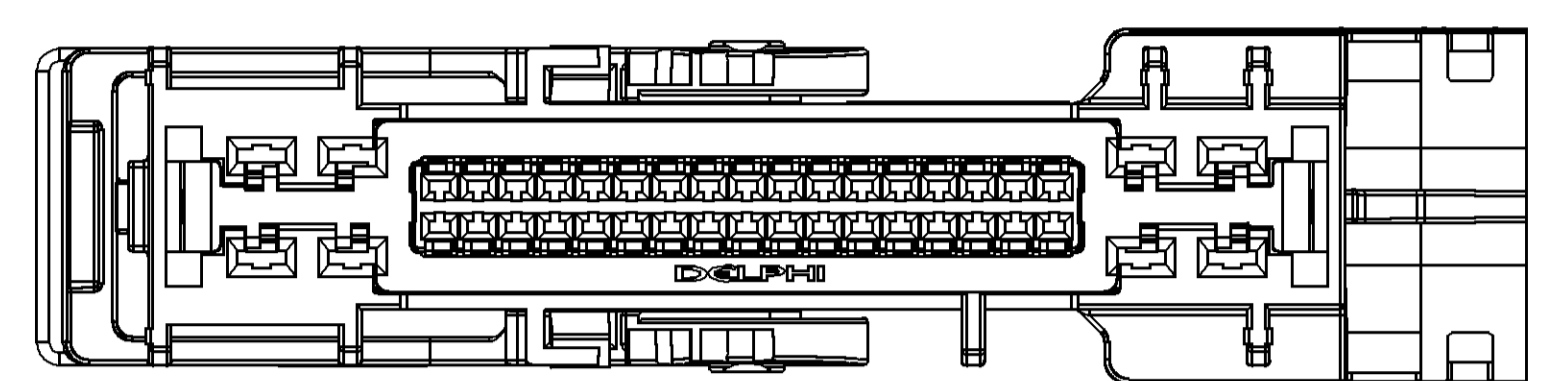


SYMBOL DEFINITION		TOTAL NO OF INSPECTIONS REQUIRED	MISSING SYMBOLS
A DIMENSION WITHOUT AN INSPECTION REPORT SYMBOL DOES NOT REQUIRE INSPECTION. IT MAY BE CONTROLLED ON THE INDIVIDUAL COMPONENT DRAWING.		48	NO MISSING SYMBOL NUMBER
		LAST NO. USED	9

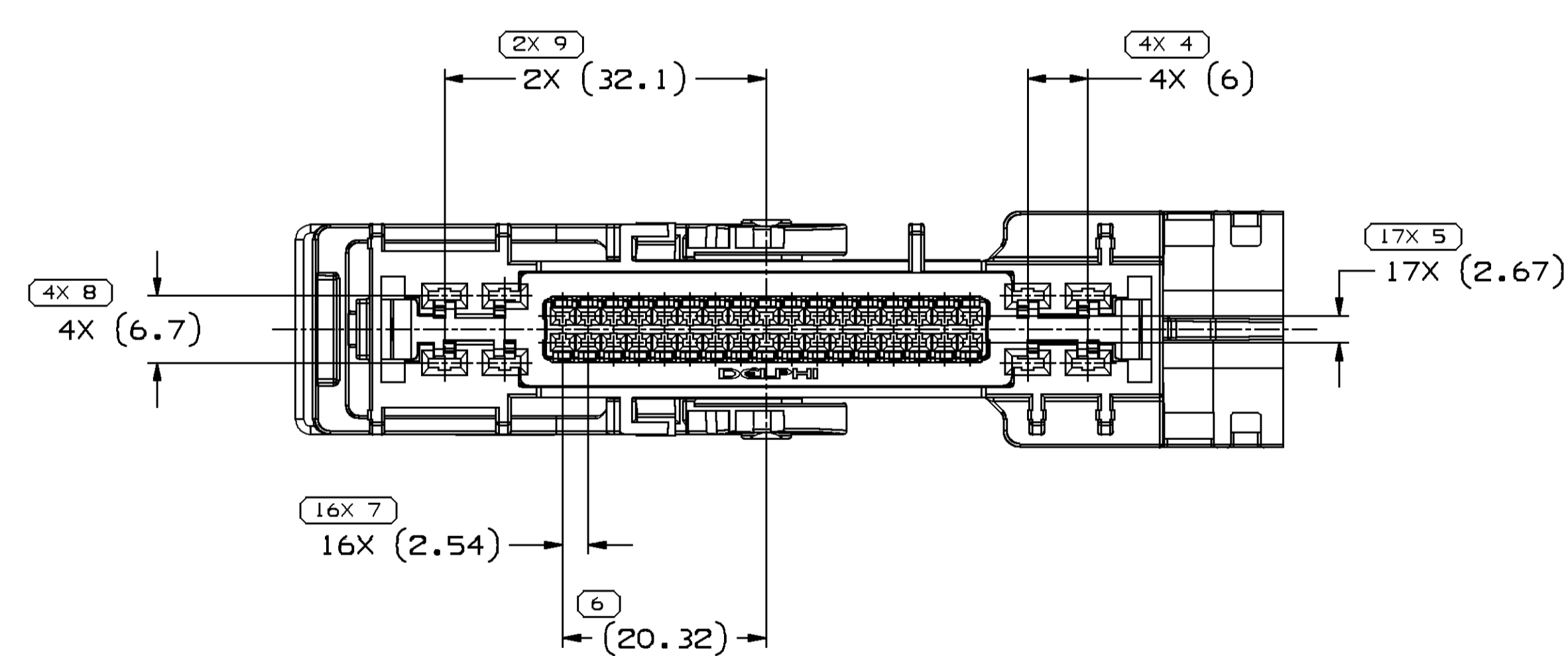
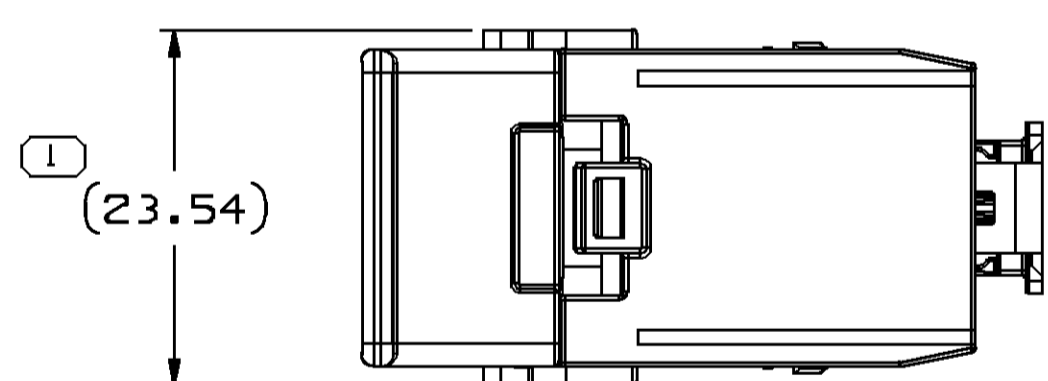
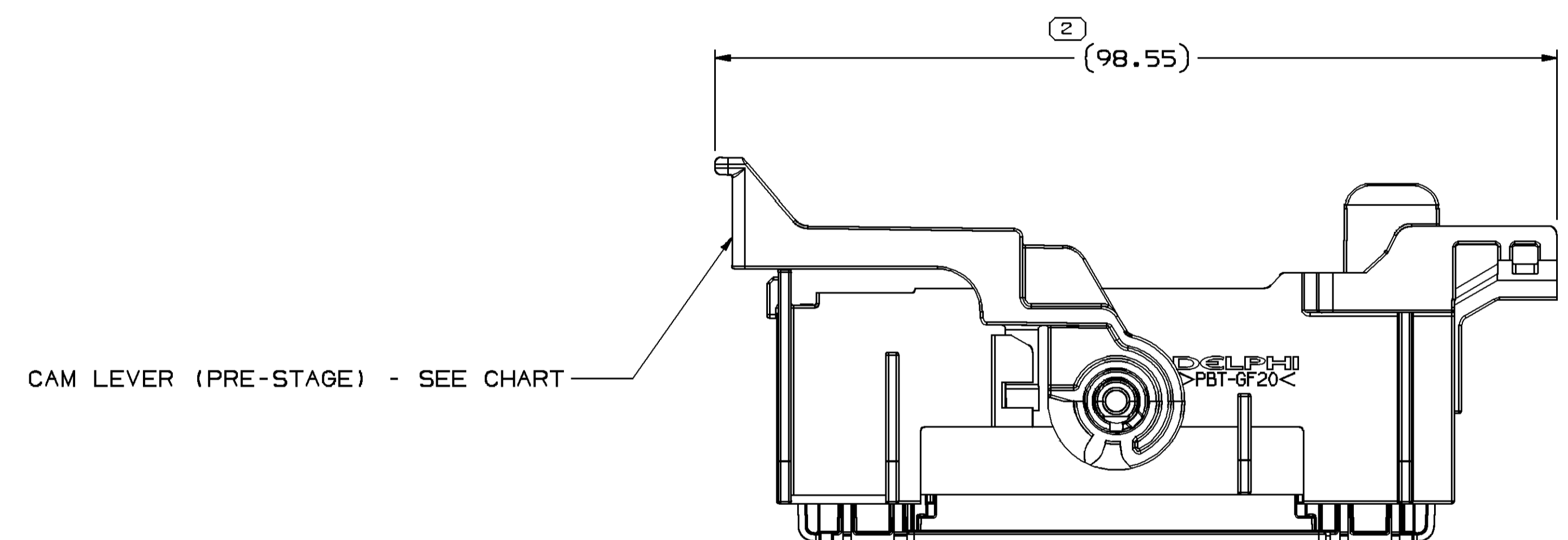
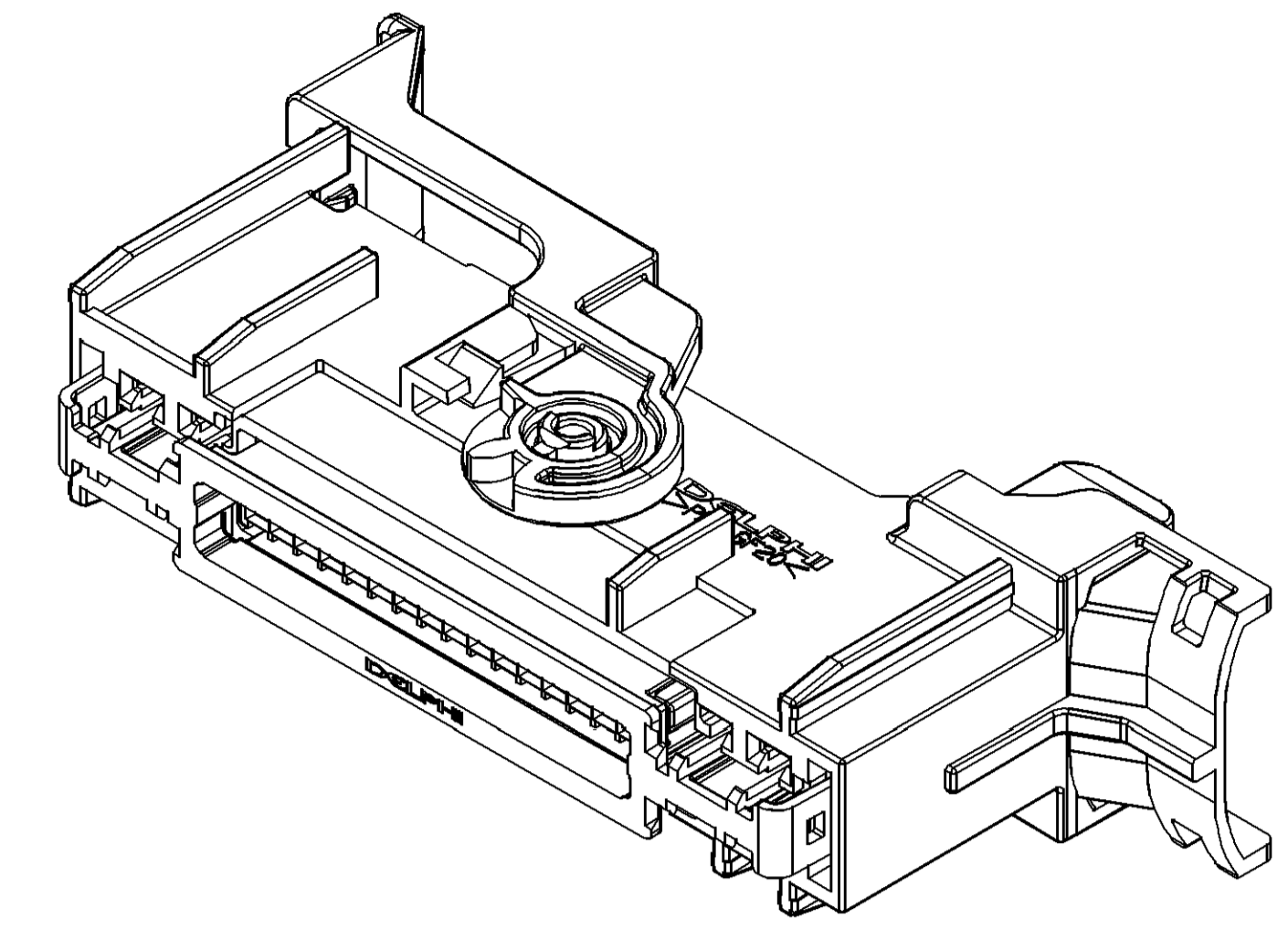
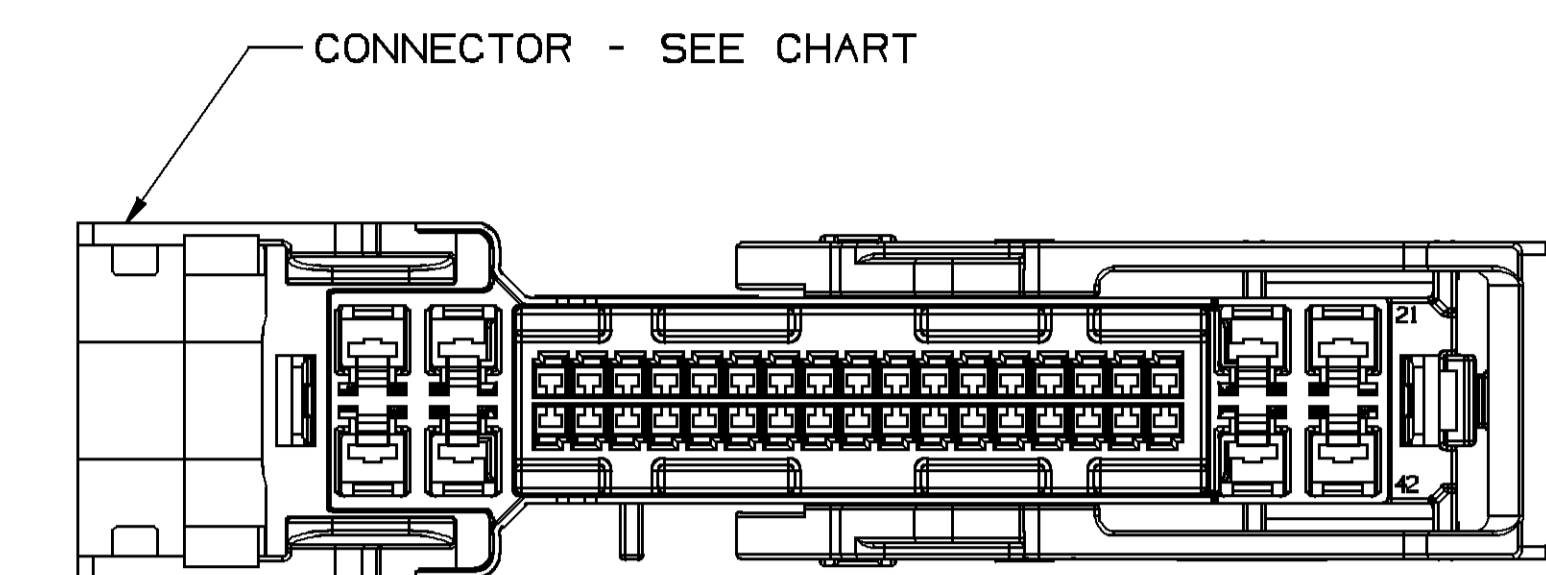
DWS STATUS				REVISION HISTORY				AUTH		DR		APVD/APPD	
DATE	STG	REV	N/P	CHG	ZONE								
040C13	R	01	-	-		ALL PARTS - RELEASED PART DRAWING				424054	ORA	DCH	MLP
11AP14	R	02	-	-		33160248 - RELEASED				426239	CGD	CGD	MLP
090C14	R	03	-	-		33119942 & 33119943 - RESTRICTED AND ADDED REPLACED BY COLUMN				427873	ABH	JVM	MLP



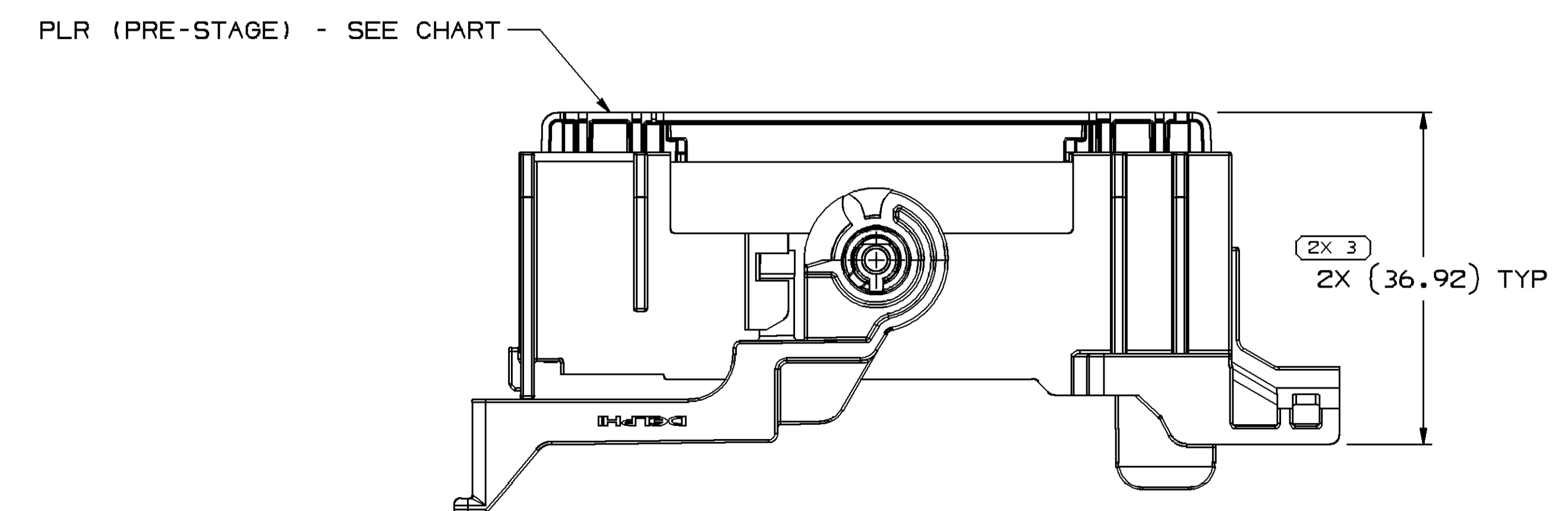
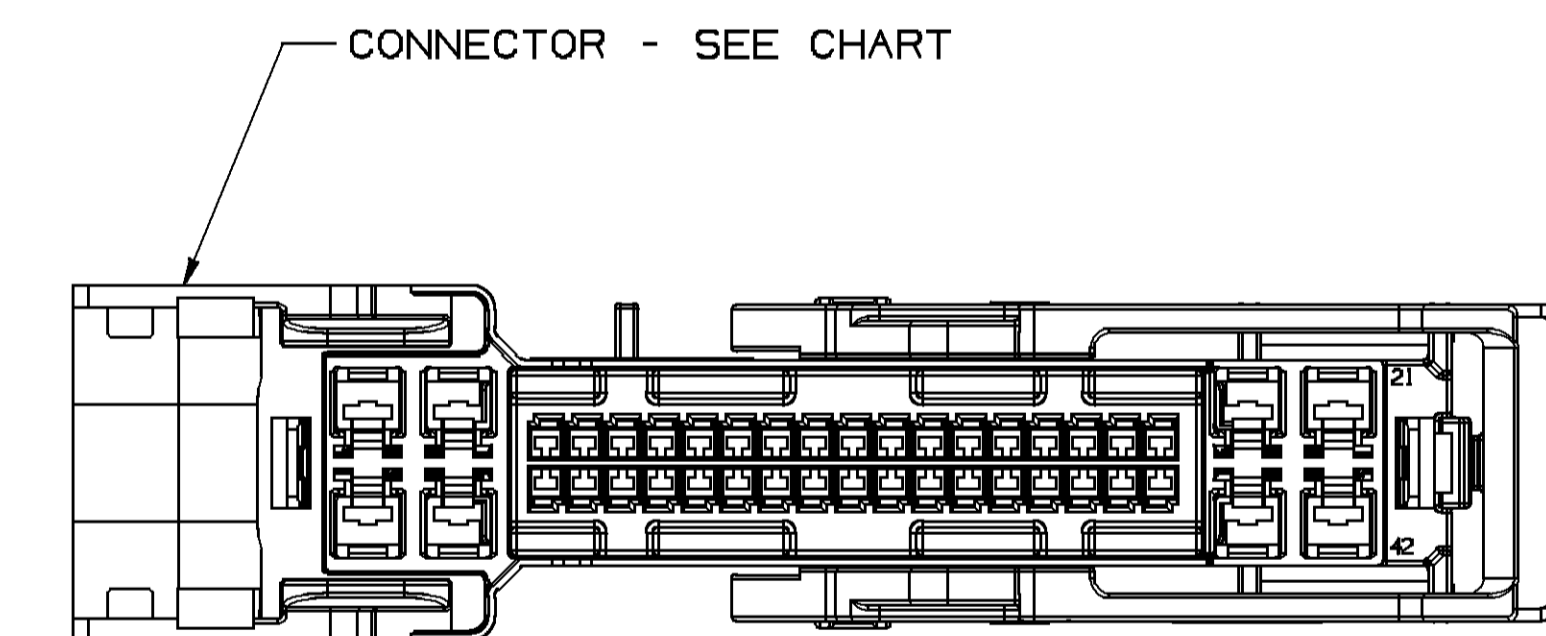
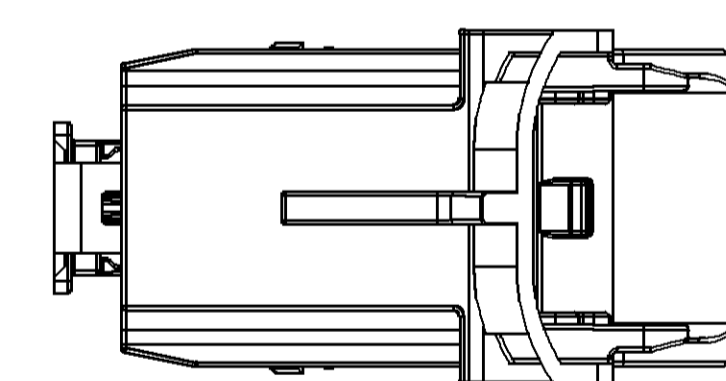
TYPE 303
SAME AS TYPE 302
EXCEPT AS SHOWN



TYPE 302
SAME AS TYPE 301
EXCEPT AS SHOWN



TYPE 301



NOTES

- UNLESS OTHERWISE SPECIFIED AND/OR INDICATED:
DIMENSIONS ARE TO FACE OF VIEW SHOWN AND AUTOMATICALLY ROUNDED BY COMPUTER FOR INSPECTION (SEE MATH MODEL FOR PRECISE DIMENSIONS). FOR ALL OTHER DIMENSIONS NOT SHOWN BUT REQUIRED FOR TOOL BUILD, SEE MATH MODEL FOR PRECISE TOOL PATH DATA.
- FOR APPLICATION DATA SEE THE INDIVIDUAL APPLICATION DRAWINGS.
- THIS PRODUCT IS NOT CATEGORIZED AS AN APPEARANCE ITEM. MINOR IMPERFECTIONS INCLUDING, BUT NOT LIMITED TO, FLOW MARKS, COLOR BLEMISHES, GATE VESTIGE, AND SOFT FLASH THAT DO NOT AFFECT THE FIT, FORM, OR FUNCTION OF THE PART ARE PERMISSIBLE PER DPNP-4.7-CS-01.

PART NO	REV	N/P	TYPE	RESTRICTED USAGE	CONNECTOR	COLOR	LOCKING PLR	COLOR	CAM LEVER	COLOR	REPLACED BY
33160248	01	-	303	-	15509843	GRAY	-	-	33119463	PURPLE	-
33119943	01	AA	302	RESTRICTED	15509843	GRAY	13898431	BLACK	33119463	PURPLE	33160247
33119942	01	AA	301	RESTRICTED	15509842	YELLOW	13898431	BLACK	33119463	PURPLE	33160245

DIMENSIONAL RANGE (MM)	TOLERANCE	CHART REF
FROM > 0	> 20	> 30
TO 20	30	70
	70	100
	100	150
	150	200
	200	250
	250	300
	300	400

PART DRAWING	
STITLE	
VOLUME (Q/P)	DISTR CODE
UNLESS OTHERWISE SPECIFIED	
THIS DOCUMENT IS IN ACCORDANCE WITH ASME Y14.5M-1994 AS MODIFIED BY THE 2003 SUPPLEMENT AND TELEPHANING ADDENDUM-2001. SEPARATE PATTERNS OF FEATURES MAY BE SHOWN SEPARATELY, RESPECTIVE OF DATA REFERENCES.	
ALL DIMENSIONS ARE IN MILLIMETERS	
REFERENCE	
THIRD ANGLE PROJECTION	
DO NOT SCALE	
USE MATH DATA	

DELPHI
CORPORATION
TROY, MI 48068
COPYRIGHT 2013 DELPHI CORPORATION AND/OR ITS AFFILIATES. ALL RIGHTS RESERVED.
THIS DRAWING IS THE PROPERTY OF DELPHI CORPORATION AND CONTAINS DELPHI CONFIDENTIAL INFORMATION. THE REPRODUCTION, DISTRIBUTION AND UTILIZATION OF THIS DOCUMENT OR ITS CONTENTS AND DATA, AS WELL AS COMMUNICATION OF ANY CONTENT TO OTHERS, WITHOUT EXPRESS AUTHORIZATION, IS PROHIBITED.

DR	DATE
APV01 OMAR ROJAS	040C13
APV02 DANIEL CALVILLO	040C13
APV03 MATTHEW L. PENN	040C13
APV04	

SUBSTANCES OF CONCERN AND RECYCLED CONTENT, PER DELPHI (0944901)

MATERIAL: SEE CHART

DRAWING NAME: TAXI ASM CONN 42 F OCS 1.2 2.8

DRAWING NUMBER: 13912247

SIZE	SCALE	FRAME NO	SHEET NO	STG	REV	N/P
A0	2:1	1	1	3	03	-

X-ON Electronics

Largest Supplier of Electrical and Electronic Components

Click to view similar products for [Automotive Connectors](#) category:

Click to view products by [APTIV](#) manufacturer:

Other Similar products are found below :

[003-018-000](#) [60403001](#) [60993906-B](#) [M902-2131](#) [M902-2161](#) [72.330.1035.1](#) [73.353.4028.0](#) [F119300-B](#) [F166900](#) [F258300-B](#) [F358300-B](#)
[F407400](#) [F444110](#) [F487000](#) [F509500B-B](#) [827153-1](#) [8N1515-32-24P](#) [9-1326729-8](#) [925474-1](#) [928905-1](#) [964562-4](#) [968782-1](#) [GT17SA-8DS-](#)
[HU](#) [98891-1012](#) [98947-1016](#) [12004475-L](#) [12010290](#) [12010309-B](#) [12015454](#) [12020219-B](#) [12020308](#) [12041318-B](#) [12052225-L](#) [12052466](#)
[12059125](#) [12064869](#) [12004327-B](#) [12010503-B](#) [12015308](#) [12015384](#) [12015909](#) [1-21030-1](#) [12041254](#) [12041318](#) [12047946-B](#) [12047957](#)
[12047957-L](#) [12059473](#) [12066261](#) [12110546](#)