

# CTCS XP SERIES



## CTCS FAMILY BENEFITS

- Versatile connection system
- Unparalleled reliability and performance
- Designed for the transportation market

## XP SERIES FEATURES

- Optional back shells in 180° and 90° angles with additional ribbing for improved vibration performance
- 0-gap design of back shells provides superior protection against dust and debris ingress
- Locking features on slides prevent accidental release of connectors prior to full mating



## AVAILABLE CONFIGURATIONS

Cavity Count (ways)	2, 3, 4, 6, 7, 8, 10, 12, 15, 16, 18
Cavity Configurations	1.5, 2.8, 6.3, Mixed
Materials	Non-V0 and V0
Genders	Female and Male
Lock Assist Type	Slider lock
Mounting Options	Panel and Strap/Clip



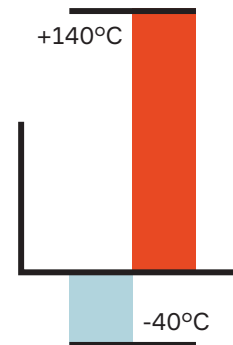
## APPLICATIONS

- Chassis
- Engine compartment
- On-engine

See back page for representative part numbers and packaging dimensions.



## TEMPERATURE



## VIBRATION



Sine  
(G)



Random  
(Grms)



## SEALING IP RATING (IEC/ISO)

67 / 6K7

Water  
Intrusion

69 / 6K9K

High Pressure  
Spray

## About Aptiv

Aptiv is a global technology company that develops safer, greener and more connected solutions enabling the future of mobility. Headquartered in Dublin, Aptiv has approximately 150,000 employees and operates 14 technical centers, as well as manufacturing sites and customer support centers in 45 countries.

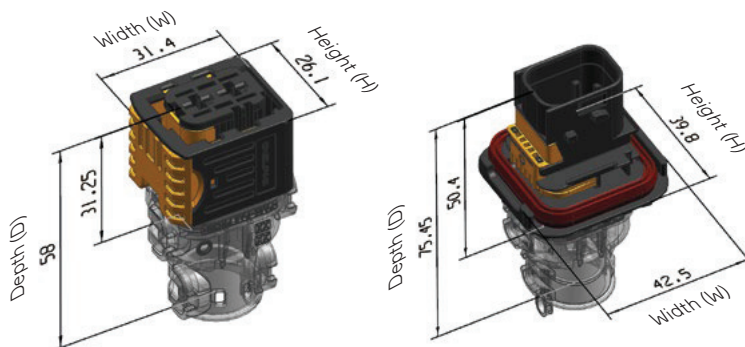
Visit [aptiv.com](http://aptiv.com)



Cavity count	Blade size (mm)	Gender	Dimensions W x H x D (mm)	V0 part number	Non-V0 part number	Mounting type	Index	Color	Indexes offered
2	1.5	F	25.8 x 18.9 x 31.25	33253266	33344638	Universal	A	Black	A, B, C, D
2	2.8	F	25.8 x 18.9 x 31.25	33253554	33344639	Universal	A	Black	A, B, C, D
2	2.8	M	37.5 x 29.8 x 48.3	33254221	33344850	Panel	A	Black	A, B, C, D
2	6.3	F	31.4 x 26.1 x 31.25	33285119	33346221	Universal	A	Black	A, B, C, D
2	6.3	M	42.5 x 39.8 x 50.4	33285118	33346220	Panel	A	Black	A, B, C, D
2	6.3	M	33.2 x 27 x 50.4	33341148	33347784	Strap/Clip	A	Black	A, B, C, D
3	1.5	F	25.8 x 18.9 x 31.25	33253275	33344674	Universal	A	Black	A, B, C, D
3	1.5	M	37.5 x 29.8 x 48.3	33254285	33344669	Panel	A	Black	A, B, C, D
3	1.5	M	27.6 x 19 x 48.3	33254098	33344861	Strap/Clip	A	Black	A, B, C, D
4	2.8	F	30.5 x 26.1 x 31.25	33308974	33346865	Universal	A	Black	A, B, C, D
4	2.8	M	37.5 x 39.8 x 48.3	33308731	33346867	Panel	A	Black	A, B, C, D
4	2.8	M	27.6 x 27 x 48.3	33308978	33346866	Strap/Clip	A	Black	A, B, C, D
6	1.5	F	30.5 x 26.1 x 31.25	33308961	33346852	Universal	A	Black	A, B, C, D
6	1.5	M	37.5 x 39.8 x 48.3	33308982	33347865	Panel	A	Black	A, B, C, D
6	1.5	M	27.6 x 27 x 48.3	33308912	33347886	Strap/Clip	A	Black	A, B, C, D
7	1.5(4)/2.8(3)	F	31.4 x 26.1 x 31.25	33285164	33346265	Universal	A	Black	A, B, C, D
7	1.5(4)/2.8(3)	M	42.5 x 39.8 x 48.3	33285120	33346256	Panel	A	Black	A, B, C, D
7	1.5(4)/2.8(3)	M	33.2 x 27 x 48.3	33341403	33346260	Strap/Clip	A	Black	A, B, C, D
8	1.5	F	31.4 x 26.1 x 31.25	33341417	33346281	Universal	A	Black	A, B, C, D
8	1.5	M	42.5 x 39.8 x 48.3	33341408	33346266	Panel	A	Black	A, B, C, D
8	1.5	M	33.2 x 27 x 48.3	33341413	33347532	Strap/Clip	A	Black	A, B, C, D
8	2.8	F	39.65 x 26.1 x 31.25	33343499	33350336	Universal	A	Black	A, B, C, D
8	2.8	M	40.6 x 27 x 48.3	35015736	35015732	Strap/Clip	A	Black	A, B, C, D
10	1.5(6)/2.8(4)	F	39.65 x 26.1 x 31.25	33344008	33350438	Universal	A	Black	A, B, C, D
10	1.5(6)/2.8(4)	M	50.5 x 39.8 x 48.3	33343722	33350430	Panel	A	Black	A, B, C, D
12	1.5	F	39.65 x 26.1 x 31.25	33340130	33350122	Universal	A	Black	A, B, C, D
12	1.5	M	50.5 x 39.8 x 48.3	33340243	33350115	Panel	A	Black	A, B, C, D
15	1.5(9)/2.8(6)	F	51.5 x 26.1 x 31.25	33344005	33347873	Universal	A	Black	A, B, C, D
15	1.5(9)/2.8(6)	M	62.5 x 39.8 x 48.3	33343701	33349151	Panel	A	Black	A, B, C, D
16	1.5(12)/2.8(4)	F	51.5 x 26.1 x 31.25	33285172	33347875	Universal	A	Black	A, B, C, D
16	1.5(12)/2.8(4)	M	62.5 x 39.8 x 48.3	33285171	33347859	Panel	A	Black	A, B, C, D
16	1.5(12)/2.8(4)	M	52.6 x 27 x 48.3	33342243	33347860	Strap/Clip	A	Black	A, B, C, D
18	1.5	F	51.5 x 26.1 x 31.25	33342277	33347876	Universal	A	Black	A, B, C, D
18	1.5	M	62.5 x 39.8 x 48.3	33342293	33347872	Panel	A	Black	A, B, C, D
18	1.5	M	52.6 x 27 x 48.3	33342234	33347874	Strap/Clip	A	Black	A, B, C, D

Please, refer to the CTCS catalogue for the full part number list.

## DIMENSION MEASUREMENT SAMPLE



Part numbers, specifications, dimensions and performance data in this document are for general references only and are subject to change without notice. To verify product information, please contact a Aptiv representative.

CS-SP7-CTCS-En0218

## X-ON Electronics

Largest Supplier of Electrical and Electronic Components

*Click to view similar products for [Automotive Connectors](#) category:*

*Click to view products by [APTIV](#) manufacturer:*

Other Similar products are found below :

[003-018-000](#) [60403001](#) [60993906-B](#) [629515004020001](#) [M902-2131](#) [M902-2161](#) [72.330.1035.1](#) [73.353.4028.0](#) [F119300-B](#) [F166900](#)  
[F258300-B](#) [F358300-B](#) [F407400](#) [F444110](#) [F487000](#) [F509500B-B](#) [827153-1](#) [8N1515-32-24P](#) [9-1326729-8](#) [925474-1](#) [928905-1](#) [964562-4](#)  
[968782-1](#) [GT17SA-8DS-HU](#) [98891-1012](#) [98947-1016](#) [12004475-L](#) [12010290](#) [12010309-B](#) [12015454](#) [12020219-B](#) [12020308](#) [12041318-B](#)  
[12052225-L](#) [12052466](#) [12059125](#) [12064869](#) [12004327-B](#) [12010503-B](#) [12015308](#) [12015384](#) [12015909](#) [1-21030-1](#) [12041254](#) [12041318](#)  
[12047946-B](#) [12047957](#) [12047957-L](#) [12059473](#) [12066261](#)