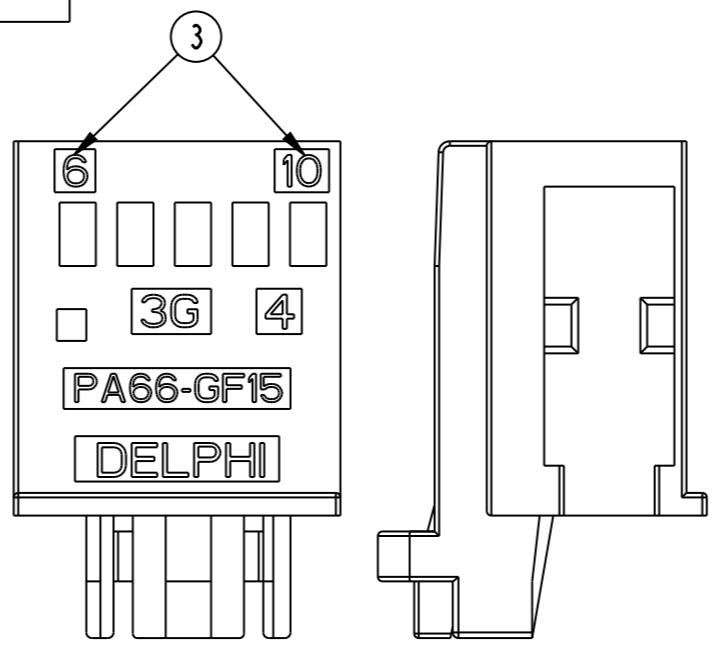
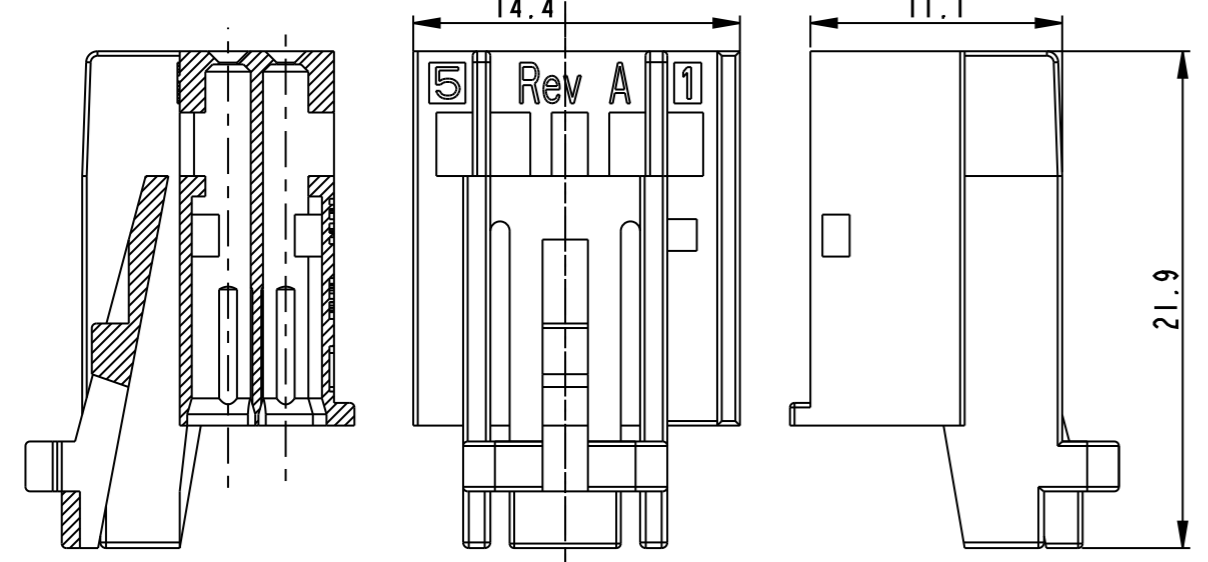


Housing		
PART NUMBER	PART REVISION	COLOUR
33401467	01	BLACK

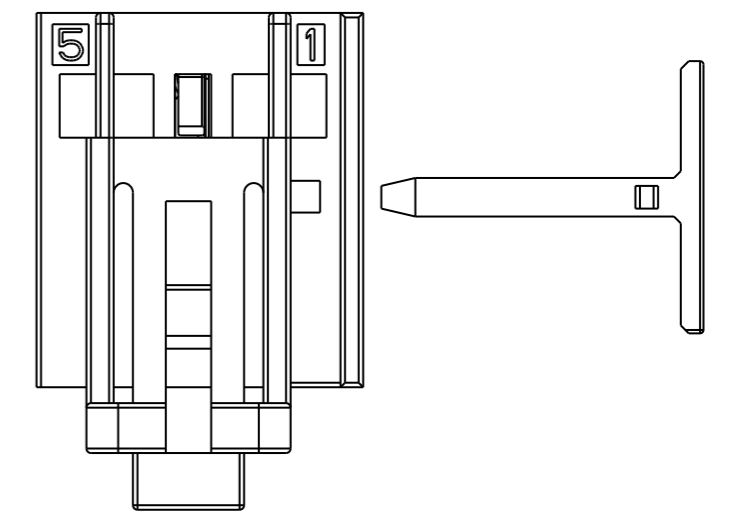
DRAWING NUMBER NUMERO DISEGNO	FSC 310274	REVISION REVISIONE	C	SHEET FOGLIO	1/1	APPROVAL LEVEL LIV. DI APPROVAZIONE	-
DRAWING DISEGNO	C						

STRICTLY CONFIDENTIAL

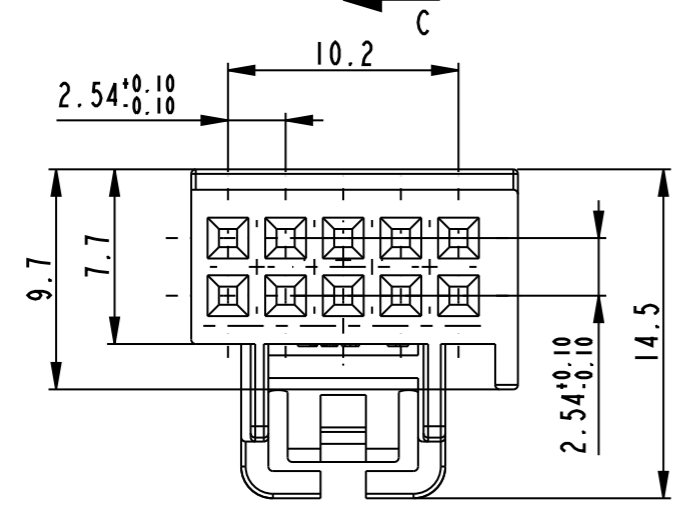
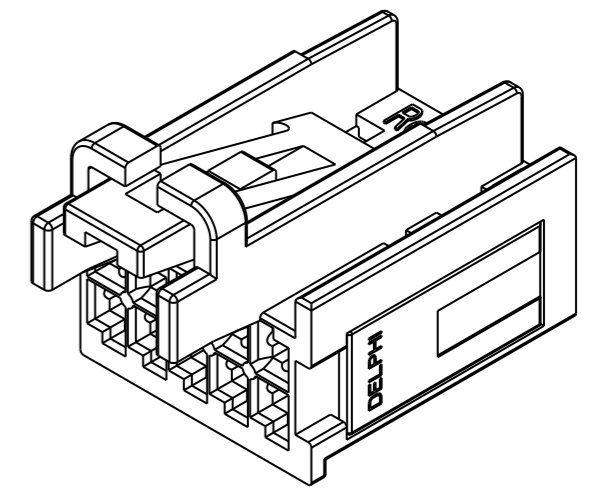
SECTION C-C



HOUSING + SEC. LOCK		
PART NUMBER	PART REVISION	COLOUR
33401470	01	BLACK + RED



ASSEMBLY CONNECTOR



NOTES:

THE PRODUCT WILL BE SUPPLIED IN SEPARATE COMPONENTS
 P/N 33401467 (HOUSING)
 P/N 33401469 (SECONDARY LOCK)

2

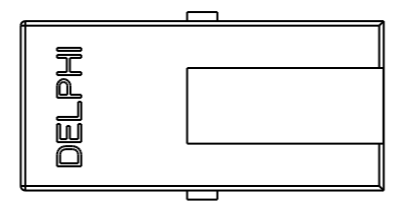
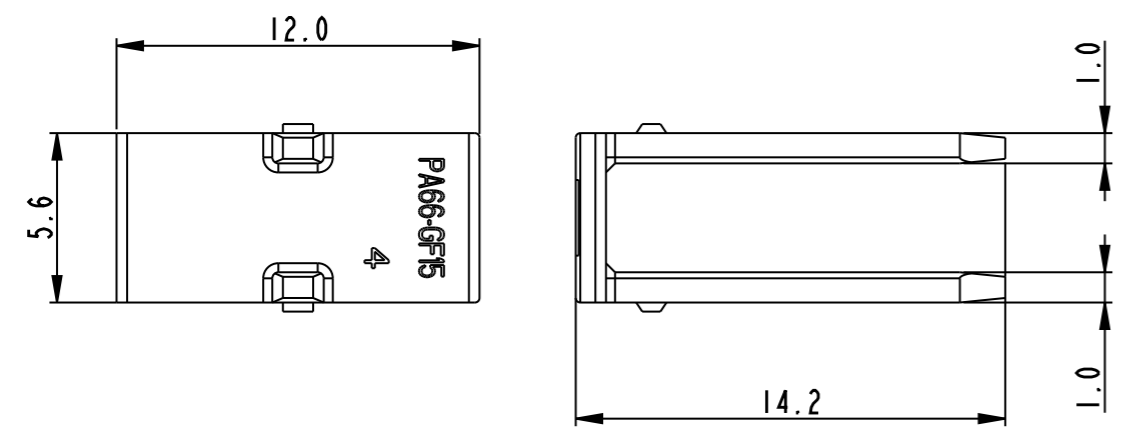
CAVITIES SUITABLE FOR 0.64 DUOTWIN FEMALE TERMINAL
 P/N 60080111 REV.E (MVL)
 P/N F928600 REV.E (MVL)
 P/N 10820519 REV.01 (DELPHI)
 P/N 10820518 REV.01 (DELPHI)

CAVITIES SUITABLE FOR 0.64 MTS II FEMALE TERMINAL
 P/N 15440179
 P/N 15440181

3

CAVITY NUMBER

SECONDARY LOCK		
PART NUMBER	PART REVISION	COLOUR
33401469	01	RED



13-01147	24-10-2013	C	-	Updated Terminal P/N and drawing	F.G.	M.C.
13-00776	24-07-2013	B	-	Modified concept of connector	F.G.	M.C.
ECN-NO. NUMERO - ECH	DATE DATA	DD / MM / YY	REVISION REVISIONE	POSITION POSIZIONE	CHANGE DESCRIPTION DESCRIZIONE MODIFICA	
PRODUCT SPEC. SPEC. DI PRODOTTO		PACKAGING SPEC. SPEC. DI IMBALLAGGIO		APPLICATION SPEC. SPEC. DI APPLICAZIONE		COPYRIGHT DELPHI CORPORATION AND/OR ITS AFFILIATES. ALL RIGHTS RESERVED. REVISED THIS DRAWING IS THE PROPERTY OF DELPHI CORPORATION. THE REPRODUCTION, DISTRIBUTION AND UTILIZATION OF THIS DOCUMENT OR ITS RELATED CAD DATA, AS WELL AS COMMUNICATION OF ANY CONTENT TO OTHERS, WITHOUT EXPRESS AUTHORIZATION IS PROHIBITED.
TOLERANCES TOLLERANZE		± 0.3mm / ± 2'		MATERIAL : MATERIALE :		SURFACE FINISH FINITURA SUPERFICIALE
COUNTERPART Nr. CONTROPARTE Nr.		PA66 GF15		COLOUR : COLORE :		SEE TABLE
DO NOT SCALE DRAWING DISEGNO FUORI SCALA		TOOL NO.		LOC. CODE NAZIONALITA'		IT
DRAWN BY DISEGNATORE		DATE DATA		NAME NOME		TITLE DESCRIZIONE
CHECKED BY CONTROLLATO		03/06/13		D.T.		10way female connector 2.54 pitch
APPROVED BY APPROVATO		03/06/13		M.C.		ESR NO. NUMERO ESR
		EU -		CAT. NO. NUMERO CAT.		SEE TABLE
				DRAWING NUMBER NUMERO DISEGNO		FSC 310274
				FILE NAME NOME FILE		
				DOW SIZE FORMATO		A3
				SHEET FOGLIO		1 / 1
				SCALE SCALA		3:1

X-ON Electronics

Largest Supplier of Electrical and Electronic Components

Click to view similar products for [Automotive Connectors](#) category:

Click to view products by [APTIV](#) manufacturer:

Other Similar products are found below :

[003-018-000](#) [60403001](#) [60993906-B](#) [629515004020001](#) [M902-2131](#) [M902-2161](#) [72.330.1035.1](#) [73.353.4028.0](#) [F119300-B](#) [F166900](#)
[F258300-B](#) [F358300-B](#) [F407400](#) [F444110](#) [F487000](#) [F509500B-B](#) [827153-1](#) [8N1515-32-24P](#) [9-1326729-8](#) [925474-1](#) [928905-1](#) [964562-4](#)
[968782-1](#) [GT17SA-8DS-HU](#) [98891-1012](#) [98947-1016](#) [12004475-L](#) [12010290](#) [12010309-B](#) [12015454](#) [12020219-B](#) [12020308](#) [12041318-B](#)
[12052225-L](#) [12052466](#) [12059125](#) [12064869](#) [12004327-B](#) [12010503-B](#) [12015308](#) [12015384](#) [12015909](#) [1-21030-1](#) [12041254](#) [12041318](#)
[12047946-B](#) [12047957](#) [12047957-L](#) [12059473](#) [12066261](#)