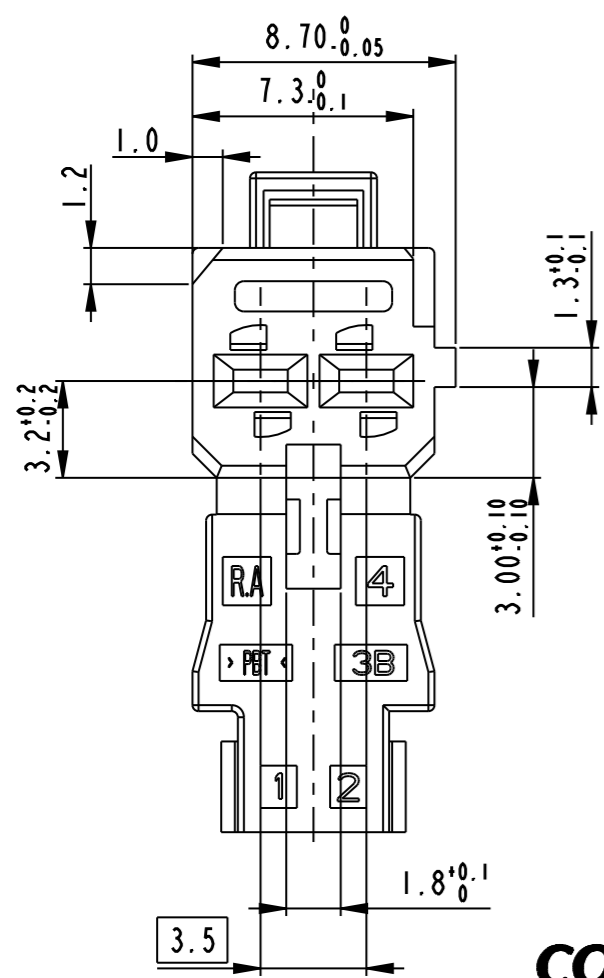
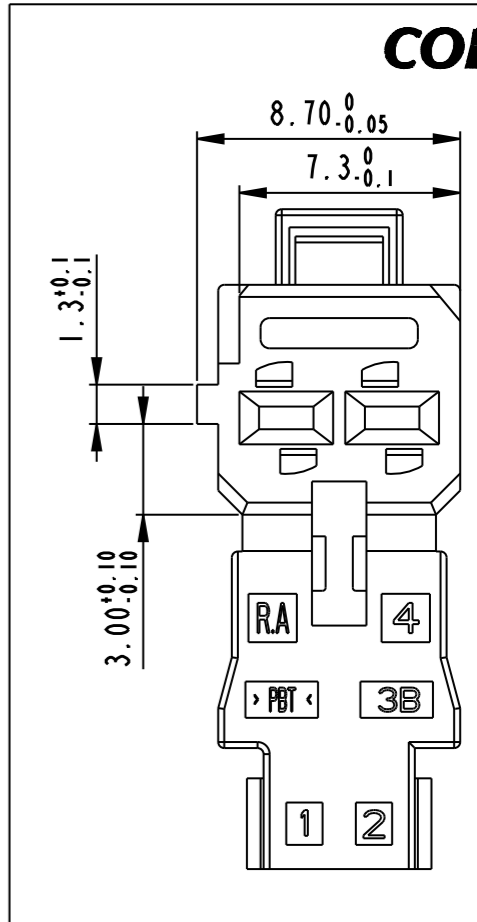
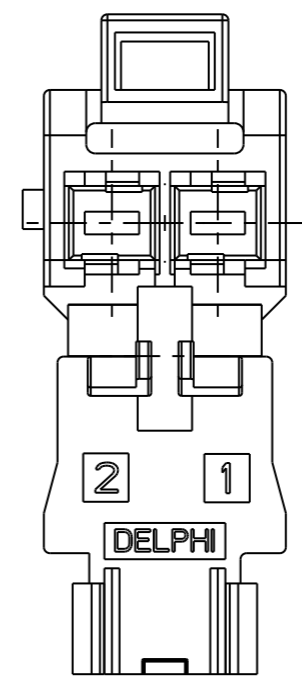
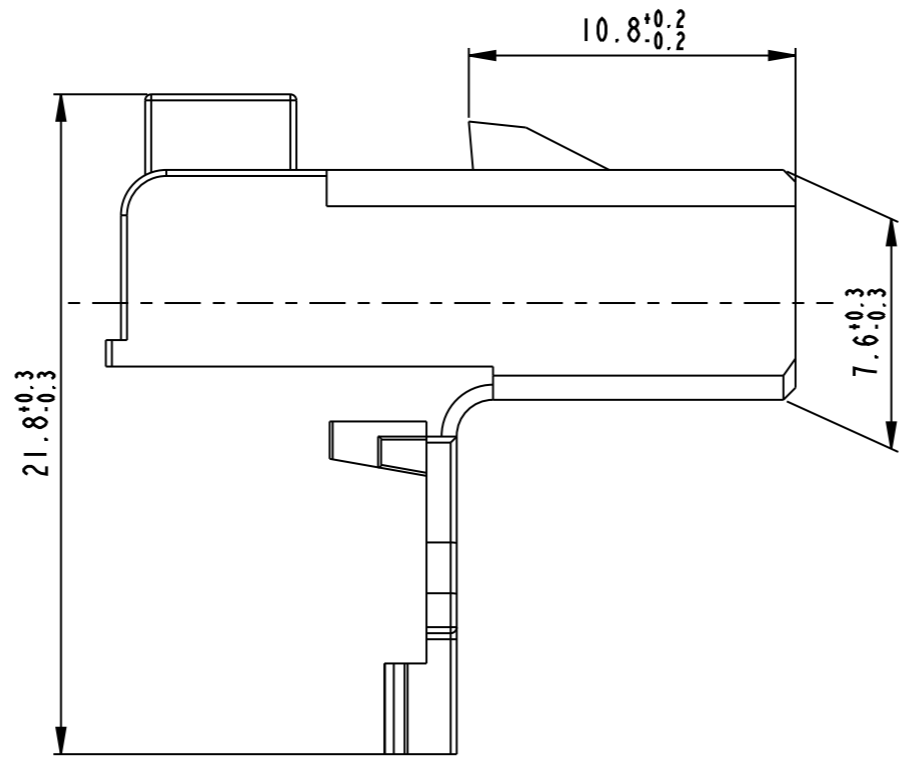


STRICTLY CONFIDENTIAL

CODE B



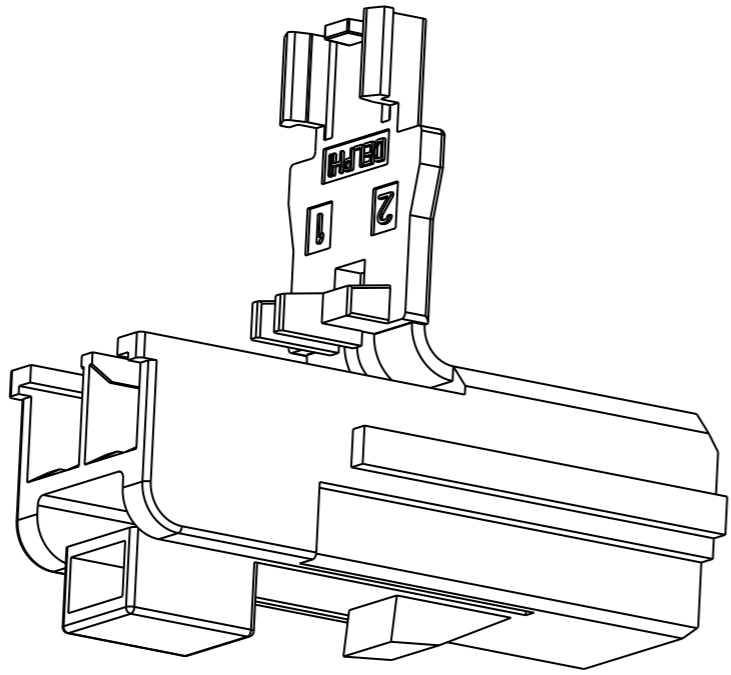
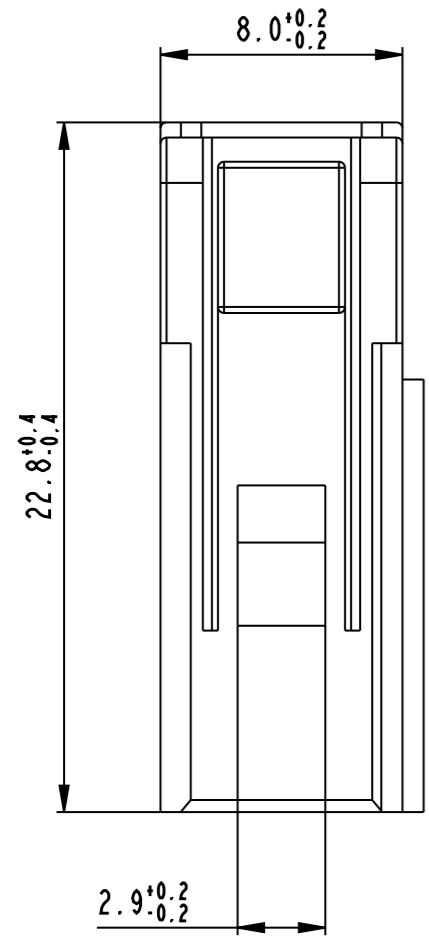
CODE A



P/N	CODE	COLOUR
33401180	A	BLACK
33401490	B	GREY

CAVITIES SUITABLE FOR THE FOLLOWING CTS 150 TERMINALS:

- 15432237 Wire Range 0.35 mm²
- 15432235 Wire Range from 0.5 to 1.0 mm²
- 15432233 Wire Range from 1.0 to 1.5 mm²



13-01054	25-09-2013	C	-	Updated Secondary Lock Geometry	F.G	M.C.		
13-00778	08-07-2013	B	E6	Changed dimension of polarization from 1.2 to 1.8 mm	F.G	M.C.		
ECN-NO. NUMERO-ECN	DATE DATA	DD/MM/YY	REVISION REVISIONE	POSITION POSIZIONE	CHANGE DESCRIPTION DESCRIZIONE MODIFICA	DRAWN BY DISEGNATORE	CHK. BY CONTROLLATO	APPR. BY APPROVATO
PRODUCT SPEC. SPEC. DI PRODOTTO	PACKAGING SPEC. SPEC. DI IMBALLAGGIO	APPLICATION SPEC. SPEC. DI APPLICAZIONE	COPYRIGHT DELPHI CORPORATION AND/OR ITS AFFILIATES. ALL RIGHTS RESERVED. REVISED THIS DRAWING IS THE PROPERTY OF DELPHI CORPORATION. THE REPRODUCTION, DISTRIBUTION AND UTILIZATION OF THIS DOCUMENT OR ITS RELATED CAD DATA, AS WELL AS COMMUNICATION OF ANY CONTENT TO OTHERS, WITHOUT EXPRESS AUTHORIZATION IS PROHIBITED.				QUESTO DISEGNO E' PROPRIETA' DI DELPHI CORPORATION E CONTIENE INFORMAZIONI CONFIDENZIALI. LA RIPRODUZIONE, DISTRIBUZIONE E UTILIZZAZIONE DI QUESTO DOCUMENTO O DELLE SUE RELATIVE MATERIALI CAD, NONCHE LA COMUNICAZIONE DI QUALSIASI CONTENUTO AD ALTRI, SENZA ESPLICITA AUTORIZZAZIONE, E' PROIBITA.	
TOLERANCES TOLLERANZE	± 0.3mm / ±2°	MATERIAL : MATERIALE :	PBT SEE TABLE		SURFACE FINISH FINITURA SUPERFICIALE	DELPHI DELPHI PACKARD ELECTRICAL/ELECTRONIC ARCHITECTURE TORINO, ITALY		CAD SYSTEM pro / eng.
COUNTERPART Nr. CONTROPARTE Nr.		COLOUR : COLORE :	SEE TABLE			C	ISO PROJECTION PROIEZIONE ISO	DIMENSION IN MILLIMETERS DIMENSIONI IN MILLIMETRI
DO NOT SCALE DRAWING DISEGNO FUORI SCALA		TOOL NO.		LOC. CODE NAZIONALITA' :	IT		DRAWING NUMBER NUMERO DISEGNO	DWG SIZE FORMATO A3
DRAWN BY DISEGNATORE	DATE DATA	NAME NOME	TITLE DESCRIZIONE		2 Way Female Holder With CTS 150 Terminals and Flap		DRAWING NUMBER NUMERO DISEGNO	SHEET FOGLIO
CHECKED BY CONTROLLATO	04-06-13						FSC 310271	1 of 1
APPROVED BY APPROVATO	04-06-13		ESR NO. NUMERO ESR	EU -	CAT. NO. NUMERO CAT.	SEE TABLE	FILE NAME NOME FILE	SCALE SCALA
						FSC310271 2Way		4:1

X-ON Electronics

Largest Supplier of Electrical and Electronic Components

Click to view similar products for [Automotive Connectors](#) category:

Click to view products by [APTIV](#) manufacturer:

Other Similar products are found below :

[003-018-000](#) [60403001](#) [60993906-B](#) [629515004020001](#) [M902-2131](#) [M902-2161](#) [72.330.1035.1](#) [73.353.4028.0](#) [F119300-B](#) [F166900](#)
[F258300-B](#) [F358300-B](#) [F407400](#) [F444110](#) [F487000](#) [F509500B-B](#) [827153-1](#) [8N1515-32-24P](#) [9-1326729-8](#) [925474-1](#) [928905-1](#) [964562-4](#)
[968782-1](#) [GT17SA-8DS-HU](#) [98891-1012](#) [98947-1016](#) [12004475-L](#) [12010290](#) [12010309-B](#) [12015454](#) [12020219-B](#) [12020308](#) [12041318-B](#)
[12052225-L](#) [12052466](#) [12059125](#) [12064869](#) [12004327-B](#) [12010503-B](#) [12015308](#) [12015384](#) [12015909](#) [1-21030-1](#) [12041254](#) [12041318](#)
[12047946-B](#) [12047957](#) [12047957-L](#) [12059473](#) [12066261](#)