

# HDK 2.8 SEALED SERIES



HDK 2.8  
3 way

## HDK FAMILY BENEFITS

- High performance solution for the AK standard
- Superior connection reliability
- Validated to harsh environment profiles

## HDK 2.8 SERIES FEATURES

- Lateral secondary lock for terminal position assurance
- Mechanical polarization



## AVAILABLE CONFIGURATIONS

|                       |           |
|-----------------------|-----------|
| Cavity Count (ways)   | 2, 3, 4   |
| Cavity Configurations | 2.8 mm    |
| Materials             | PBT GF 10 |
| Genders               | Female    |



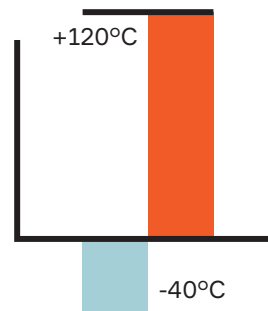
## APPLICATIONS

Engine compartment

See back page for representative part numbers and packaging dimensions.



## TEMPERATURE



## VIBRATION



Sine  
(G)



High Pressure  
Spray



## SEALING IP RATING (DIN 40050-9)

## About Aptiv

Aptiv is a global technology company that develops safer, greener and more connected solutions enabling the future of mobility. Headquartered in Dublin, Aptiv has approximately 150,000 employees and operates 14 technical centers, as well as manufacturing sites and customer support centers in 45 countries.

Visit [aptiv.com](http://aptiv.com)

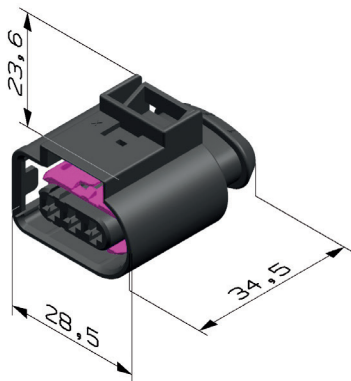


| Cavity count | Blade size (mm) | Gender | Dimensions W x H x D (mm) | Part number | Index | Housing Color | TPA Color |
|--------------|-----------------|--------|---------------------------|-------------|-------|---------------|-----------|
| 2            | 2.8             | F      | 23.6 x 23.5 x 34.5        | 33500745    | A     | Black         | Violet    |
| 2            | 2.8             | F      | 23.6 x 23.5 x 34.5        | 33503772    | B     | Black         | Blue      |
| 2            | 2.8             | F      | 23.6 x 23.5 x 34.5        | 13887338    | C     | Black         | Orange    |
| 3            | 2.8             | F      | 23.6 x 28.5 x 34.5        | 33105660    | A     | Black         | Violet    |
| 3            | 2.8             | F      | 23.6 x 28.5 x 34.5        | 33109024    | B     | Black         | Blue      |
| 3            | 2.8             | F      | 23.6 x 28.5 x 34.5        | 33109332    | C     | Black         | Orange    |
| 4            | 2.8             | F      | 23.7 x 37 x 33            | 13853167    | A     | Black         | Violet    |

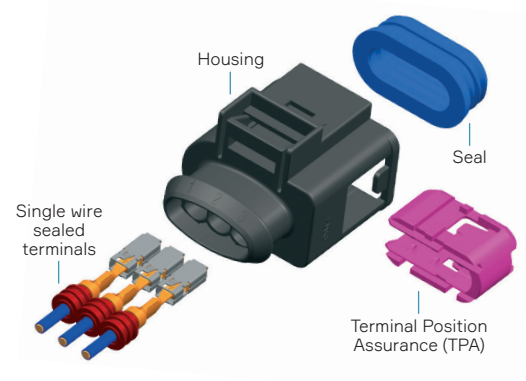
## COMPATIBLE WIRE SEALS

| Type             | Applicable wire size (mm <sup>2</sup> ) | Color     | Part number | Insulation outer diameter (mm) |
|------------------|---|-----------|-------------|--------------------------------|
| Single wire seal | 1.0 - 2.5                               | Yellow    | 10779161    | 2.7 - 2.9                      |
| Single wire seal | 1.0 - 1.5                               | Red-brown | 10779159    | 2.0 - 2.7                      |

## DIMENSION MEASUREMENT SAMPLE



## EXPLODED VIEW



## COMPATIBLE WITH



Part numbers, specifications, dimensions and performance data in this document are for general references only and are subject to change without notice. To verify product information, please contact an Aptiv representative.

CS-SP74-HDK-En0219

## X-ON Electronics

Largest Supplier of Electrical and Electronic Components

*Click to view similar products for [Automotive Connectors](#) category:*

*Click to view products by [APTIV](#) manufacturer:*

Other Similar products are found below :

[003-018-000](#) [60993906-B](#) [M902-2131](#) [M902-2161](#) [M902-2344](#) [72.330.1035.1](#) [73.353.4028.0](#) [F166900](#) [F358300-B](#) [F407400](#) [776880-1](#)  
[827153-1](#) [8N1515-32-24P](#) [9-1326729-8](#) [925474-1](#) [928905-1](#) [964562-4](#) [968782-1](#) [98891-1012](#) [12004475-L](#) [12020308](#) [12041318-B](#)  
[12052466](#) [12064869](#) [12015909](#) [1-21030-1](#) [12041254](#) [12041318](#) [12047946-B](#) [12110546-B](#) [12131792](#) [12084688](#) [12092346](#) [HD34-18-14PT](#)  
[HD46-24-23SN-059](#) [HDB36-24-16PN-059](#) [HDP26-24-9SE-L015](#) [12185280](#) [12185550](#) [12336-12](#) [12191172-B](#) [12S](#) [13545280](#) [13577943](#)  
[13681974](#) [13737722-B](#) [13830674](#) [13832576](#) [13849772](#) [13542772](#)